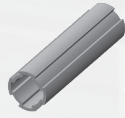


NEW

Kazalo
Index
Indice
Inhalt

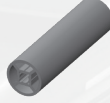
Al.
profile
Ø 28 L

123



Al.
profile
Ø 28

123



Cover Cap
with nut

124



Cover
Cap

124



Tubular
Frame
Connector
corner

125



Tubular
Frame
Connector
90°

125



Tubular
Frame
Connector
45°

126



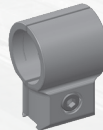
Tubular
Frame
Connector
Ball

126



Tubular
Frame
Connector
Gripper

127



Tubular
Frame
Connector
parallel

127



128

Tubular
Frame
Connector
X



128

Tubular
Frame
Connector
Corner 45°



129

Adapter
Plate
40x40



130

Castor
holder



Tubular Frame Connector

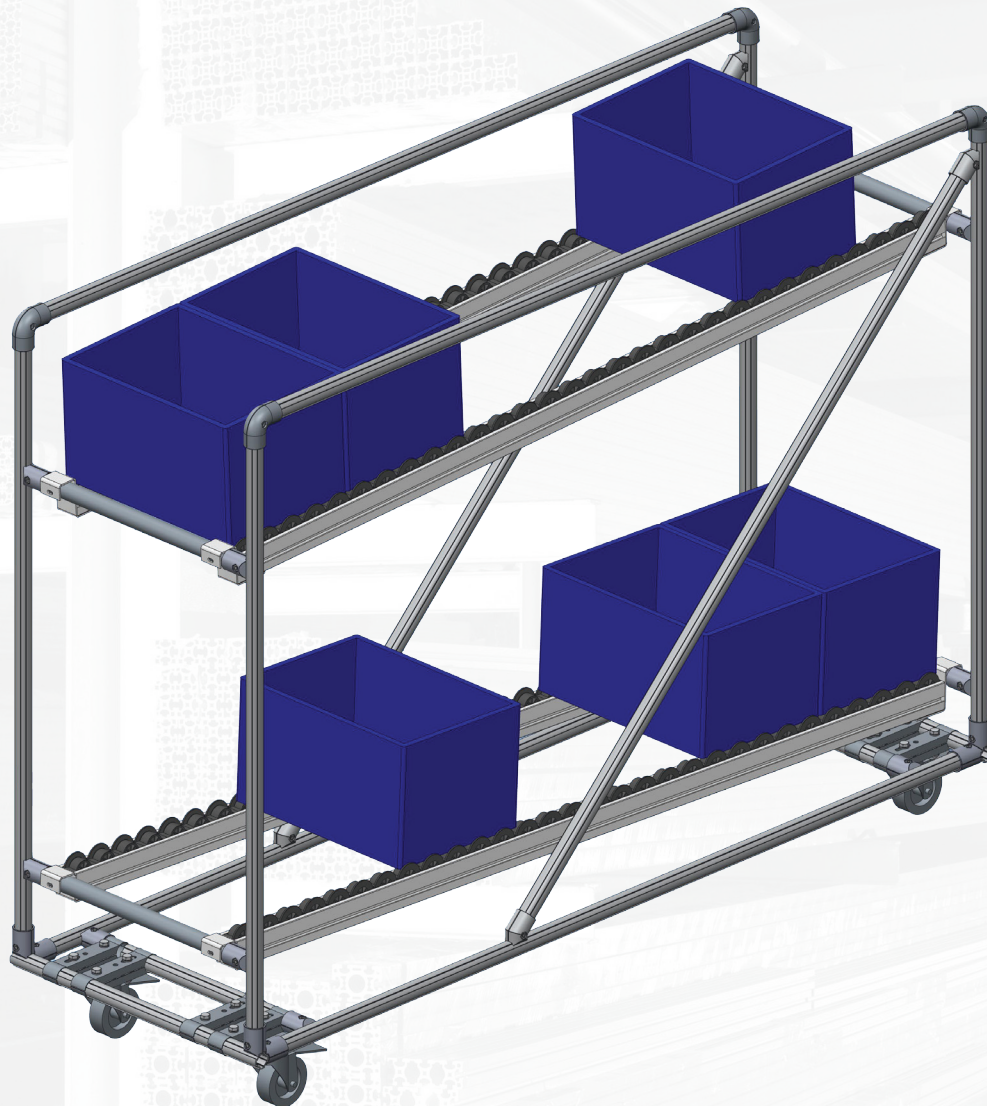
TRANSPORT LINES AND FLEXIBLE CONSTRUCTIONS IN AUTOMATION

Naziv
Description

Al. cevna konstrukcija
Al. Tubular construction

Al. struttura tubolare
Al. Tubular Strukturen

Descrizione
Beschreibung



Tubular Frame Connector



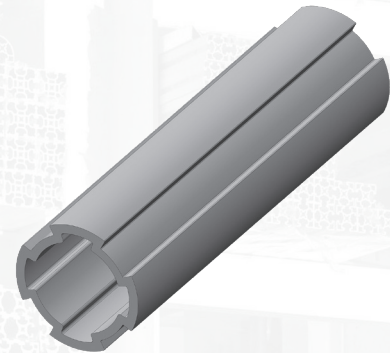
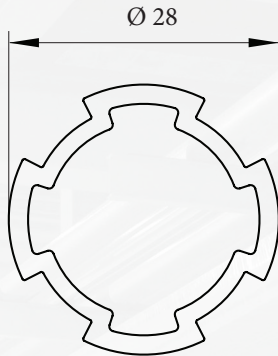
TRANSPORT LINES AND FLEXIBLE CONSTRUCTIONS IN AUTOMATION

Naziv
Description

Al. Profil Ø 28 L
Al. Profile Ø 28 L

Al. Profilo Ø 28 L
Al. Profile Ø 28 L

Descrizione
Beschreibung



Material Aluminij
Material Aluminium
Materiale Aluminio
Material Aluminium

Al. Profile Ø 28 L

NEW

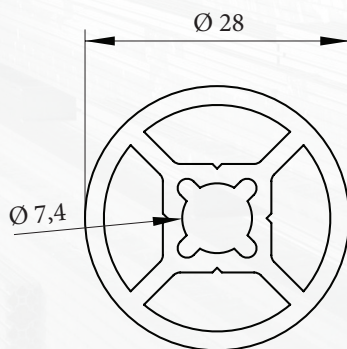
Code
14028

Naziv
Description

Al. Profil Ø 28
Al. Profile Ø 28

Profilo Ø 28
Al. Profile Ø 28

Descrizione
Beschreibung



Material Aluminij
Material Aluminium
Materiale Aluminio
Material Aluminium

Al. Profile Ø 28

NEW

Code
14029



Tubular Frame Connector

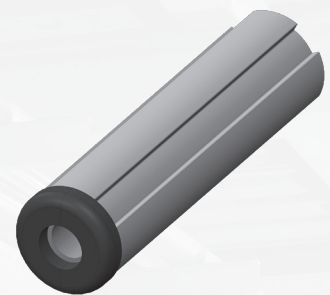
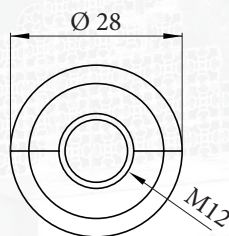
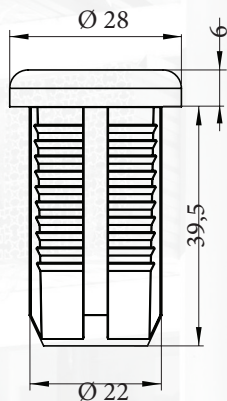
TRANSPORT LINES AND FLEXIBLE CONSTRUCTIONS IN AUTOMATION

Naziv
Description

Čep z dolgo matico
Cover Cap with hexagon long nut

Tappo con dado lungo
Steckerstift mit Langmutter

Descrizione
Beschreibung



Material Poliamid s stekl. vlakni
Material Fiberglass reinforced Nylon
Materiale Nylon con fibra di vetro
Material PA Verstärkt
Barva Črna
Color Black
Colore Nero
Farbe Schwarz

NEW

Cover Cap with hexagon long nut

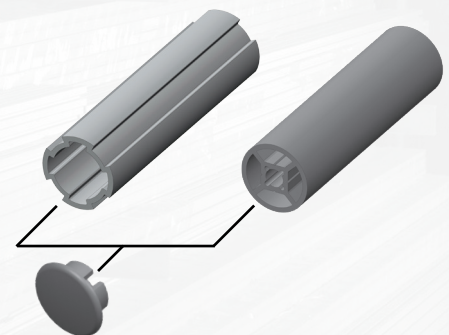
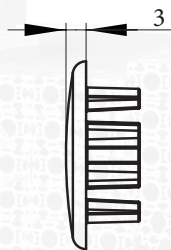
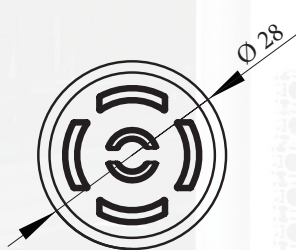
Code
14030

Naziv
Description

Čep
Cover cap

Tappo
Abdeckkappe

Descrizione
Beschreibung



Material Poliamid s stekl. vlakni
Material Fiberglass reinforced Nylon
Materiale Nylon con fibra di vetro
Material PA Verstärkt
Barva Črna
Color Black
Colore Nero
Farbe Schwarz

NEW

Cover cap

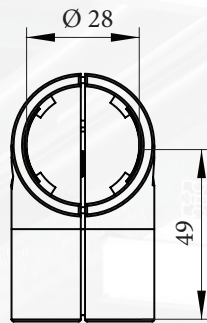
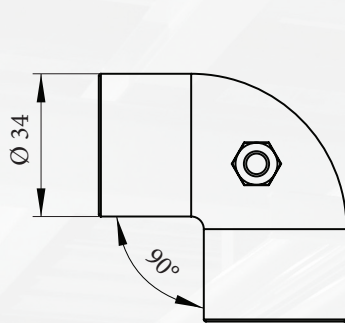
Code
14031

Tubular Frame Connector



TRANSPORT LINES AND FLEXIBLE CONSTRUCTIONS IN AUTOMATION

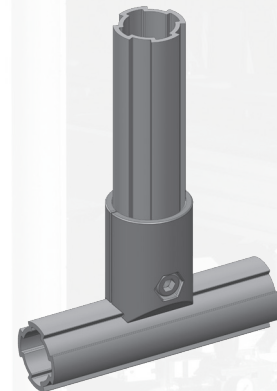
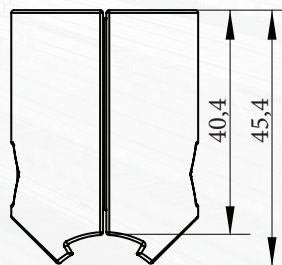
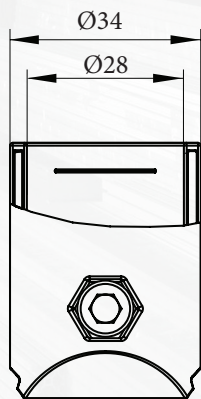
Naziv Description	Cevni spoj - kotni Tubular Frame Connector - corner	Racordo tubolare - angolare Winkelverbinder	Descrizione Beschreibung
----------------------	--	--	-----------------------------



- Material** Aluminijeva zlitina
- Material** Die-cast aluminum
- Materiale** Aluminio pressofuso
- Material** Aluminium druckguss

Tubular Frame Connector - corner	NEW Code 14032
----------------------------------	------------------------------------

Naziv Description	Cevni spoj 90° Tubular Frame Connector 90°	Racordo tubolare 90° Rundrohrverbinder 90°	Descrizione Beschreibung
----------------------	---	---	-----------------------------



- Material** Aluminijeva zlitina
- Material** Die-cast aluminum
- Materiale** Aluminio pressofuso
- Material** Aluminium druckguss

Tubular Frame Connector 90°	NEW Code 14033
-----------------------------	------------------------------------



Tubular Frame Connector

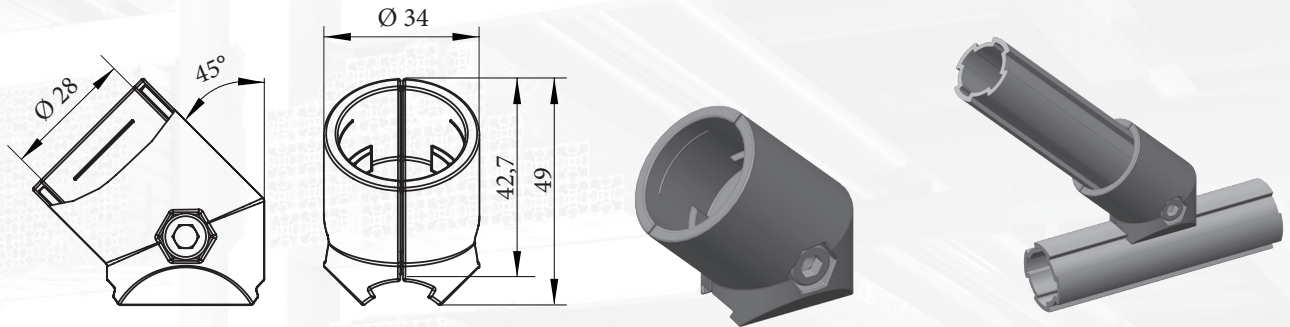
TRANSPORT LINES AND FLEXIBLE CONSTRUCTIONS IN AUTOMATION

Naziv
Description

Cevni spoj 45°
Tubular Frame Connector 45°

Racordo tubolare 45°
Rundrohrverbinder 45°

Descrizione
Beschreibung



Material Aluminijeva zlitina
Material Die-cast aluminum
Materiale Aluminio pressofuso
Material Aluminium druckguss

NEW

Tubular Frame Connector 45°

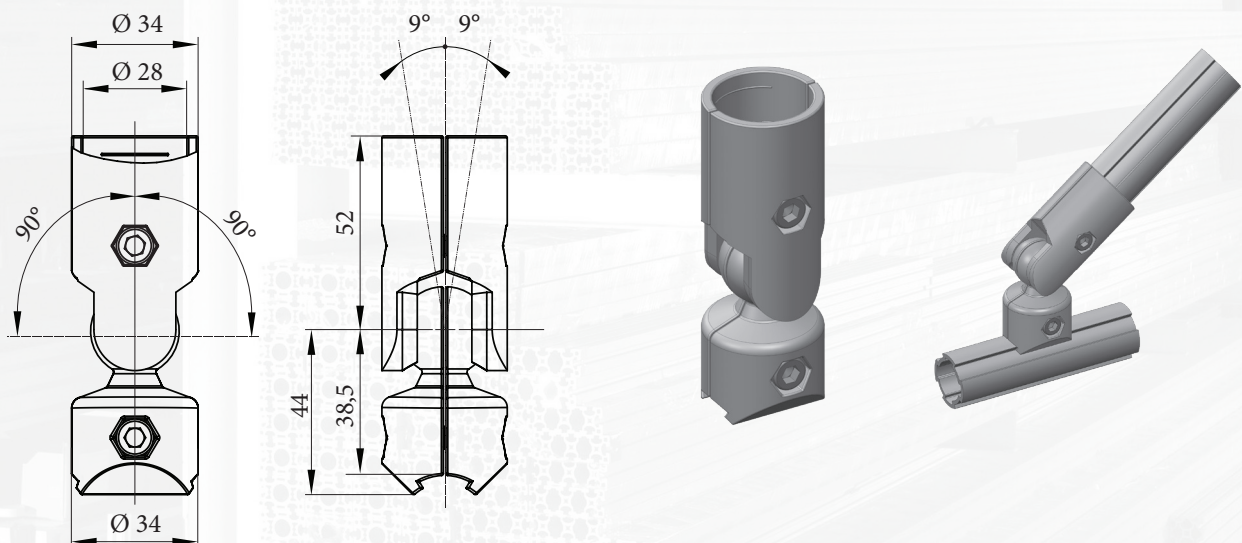
Code
14034

Naziv
Description

Kroglični cevni spoj
Tubular Frame Connector - Ball

Racordo tubolare a sfera
Rohrverbinder mit Kugel

Descrizione
Beschreibung



Material Aluminijeva zlitina
Material Die-cast aluminum
Materiale Aluminio pressofuso
Material Aluminium druckguss

NEW

Tubular Frame Connector - Ball

Code
14035

Tubular Frame Connector



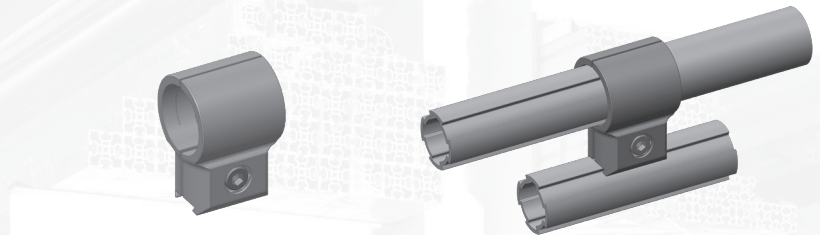
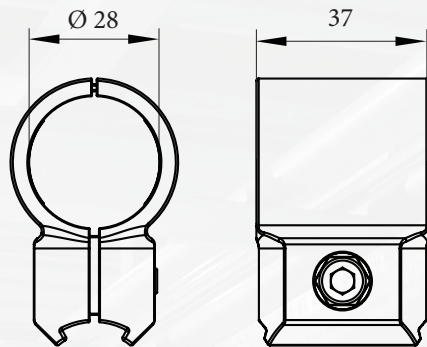
TRANSPORT LINES AND FLEXIBLE CONSTRUCTIONS IN AUTOMATION

Naziv
Description

Prijemalni cevni spoj
Tubular Frame Connector - Gripper

Connettore giunto tubolare
Rundrohrgreifverbinder

Descrizione
Beschreibung



Material Aluminijska zlitina
Material Die-cast aluminum
Materiale Aluminio pressofuso
Material Aluminium druckguss

Tubular Frame Connector - Gripper

NEW

Code

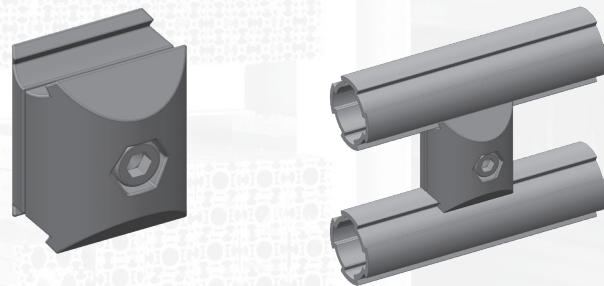
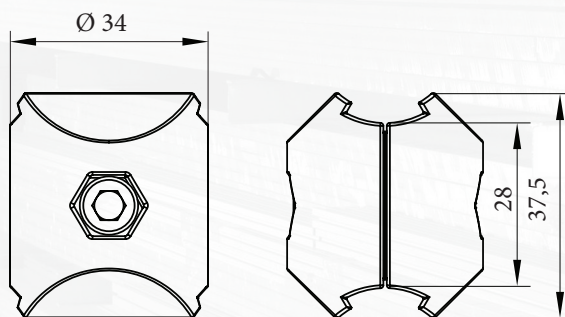
14036

Naziv
Description

Prijemalni cevni spoj - paralelni
Tubular Frame Connector - Parallel

Connettore giunto tubolare - parallelo
Rundrohrverbinder - Parallel

Descrizione
Beschreibung



Material Aluminijska zlitina
Material Die-cast aluminum
Materiale Aluminio pressofuso
Material Aluminium druckguss

Tubular Frame Connector - Parallel

NEW

Code

14037



Tubular Frame Connector

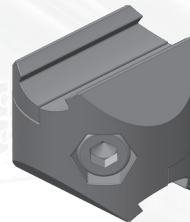
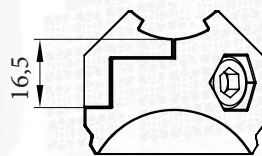
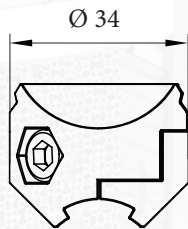
TRANSPORT LINES AND FLEXIBLE CONSTRUCTIONS IN AUTOMATION

Naziv
Description

Cevni spoj - križni
Tubular Frame Connector X

Connetore trasversale
Kreuzverbinder X

Descrizione
Beschreibung



Material Aluminijeva zlitina
Material Die-cast aluminum
Materiale Aluminio pressofuso
Material Aluminium druckguss

NEW

Code

Tubular Frame Connector X

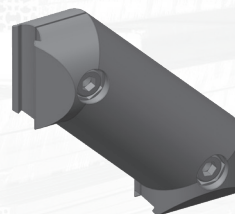
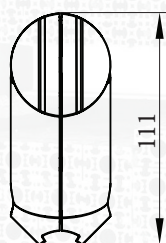
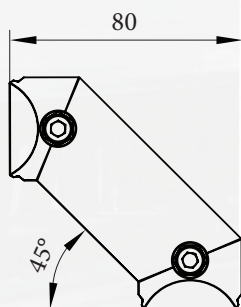
14038

Naziv
Description

Cevni kotni spoj 45°
Tubular Frame Corner Connector 45°

Connetore angolare 45°
Eckverbinder 45°

Descrizione
Beschreibung



Material Aluminijeva zlitina
Material Die-cast aluminum
Materiale Aluminio pressofuso
Material Aluminium druckguss

NEW

Code

Tubular Frame Corner Connector 45°

14039

Tubular Frame Connector



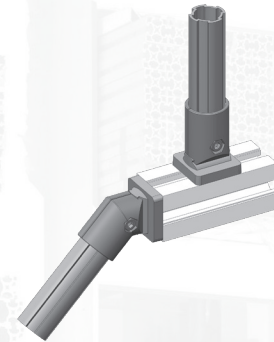
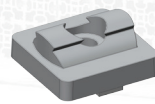
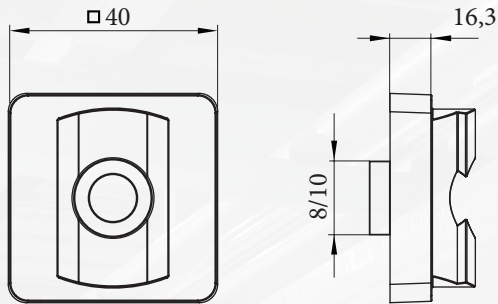
TRANSPORT LINES AND FLEXIBLE CONSTRUCTIONS IN AUTOMATION

Naziv
Description

Adapter 40x40mm
Adapter Plate 40x40mm

Piastra d'adattamento 40x40mm
Adapterplatte 40x40mm

Descrizione
Beschreibung



Material Aluminijeva zlitina
Material Die-cast aluminum
Materiale Aluminio pressofuso
Material Aluminium druckguss



8/10

Adapter Plate 40x40 mm

NEW

Code

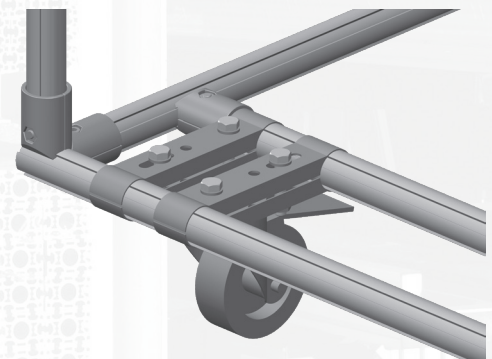
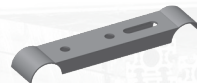
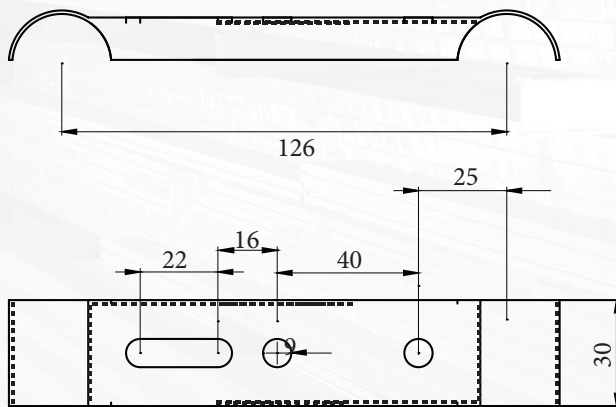
14040

Naziv
Description

Nosilec kolesa
Castor holder

Supporto per ruota
Rädertrager

Descrizione
Beschreibung



Material Pocinkano jeklo
Material Zinc Steel
Materiale Acciaio zincato
Material Stahl - verzinkt

Castor holder

NEW

Code

14041

* Za pritrditev kolesa potrebujemo 4 kose
* Per il montaggio della ruota servono 4 pezzi
* For mounting of wheel 4 pieces are required
* Für Räder Montage sind 4 Stück benötigt

Tubular Frame Connector



TRANSPORT LINES AND FLEXIBLE CONSTRUCTIONS IN AUTOMATION

NOTES:

A series of horizontal blue lines for taking notes, overlaid on a background image of industrial machinery and materials.

