













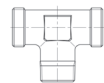

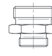
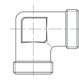
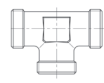
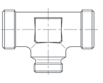
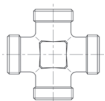


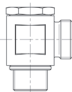
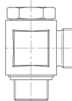
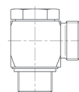
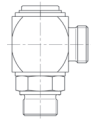
Tube Connection Pieces, 24° Stud Program and Individual/Accessories



Experience plus ideas

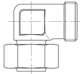
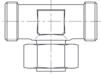

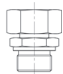
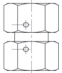




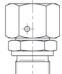




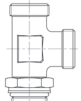





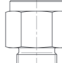


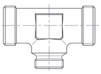

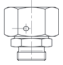
Contents

Type/Page

Tube connection components	2S / 2SVA	2S plus	ES-4 / ES-4VA	Union nuts	VOSSForm ^{SQP} tube connection components
					
	Pg. 48	Pg. 49	Pg. 50	Pg. 51	Pg. 52
Male stud couplings	BV-10 Flare cones	BV-10 Clamping rings	BV-10 Union nuts	BV-10 Flared fittings complete	
					
	Pg. 53-54	Pg. 55	Pg. 56	Pg. 57-58	
Connecting adapters	GE/GEO	WE	LE	TE	
					
	Pg. 60-83	Pg. 84-87	Pg. 88-89	Pg. 90-91	
Bulkhead couplings	G	GR	W	T	TR
					
	Pg. 94-95	Pg. 96-98	Pg. 99-100	Pg. 101-102	Pg. 103-107
Banjo and rotary couplings	K				
					
	Pg. 108				
Bulkhead couplings	SV	WSV			
					
	Pg. 110	Pg. 111			
Banjo and rotary couplings	SWVE	WH	High pressure	Rotary coup.	
					
	Pg. 114-115	Pg. 116-119	Pg. 120-121	Pg. 122-123	

Contents

Type/Page

Adjustable couplings with tube socket male connector	<p>EWV</p>  <p>Pg. 126-127/ 132-133</p>	<p>EVT</p>  <p>Pg. 128-129/ 132-133</p>	<p>EVL</p>  <p>Pg. 130-131/ 132-133</p>	<p>EVGE</p>  <p>Pg. 134-139</p>	
24° Taper couplings	<p>GZ</p>  <p>Pg. 142</p>	<p>EW</p>  <p>Pg. 143-144/ 151-152</p>	<p>EV</p>  <p>Pg. 145-146/ 151-152</p>	<p>ET</p>  <p>Pg. 147-148/ 151-152</p>	<p>EL</p>  <p>Pg. 149-150/ 151-152</p>
	<p>EGE</p>  <p>Pg. 153-155</p>	<p>RED</p>  <p>Pg. 156-159</p>	<p>MAVE</p>  <p>Pg. 160</p>		
Adjustable couplings with locknut	<p>WEE</p>  <p>Pg. 162-166</p>	<p>VEE</p>  <p>Pg. 167</p>	<p>LEE</p>  <p>Pg. 168</p>	<p>TEE</p>  <p>Pg. 169</p>	
Welding couplings	<p>AS</p>  <p>Pg. 172</p>	<p>ESV</p>  <p>Pg. 173</p>	<p>SKA</p>  <p>Pg. 174</p>		
Female stud and gauge couplings	<p>GAI</p>  <p>Pg. 176-178</p>	<p>MAV</p>  <p>Pg. 179</p>	<p>MAVE</p>  <p>Pg. 160/180</p>		
Reducing couplings	<p>GR</p>  <p>Pg. 96-98</p>	<p>TR</p>  <p>Pg. 103-107</p>	<p>KOR</p>  <p>Pg. 182-185</p>	<p>RED</p>  <p>Pg. 156-159</p>	

Contents

Type/Page

Reducing couplings

RI



Pg. 188-191

Blanking screws

VSTI



Pg. 192-194

Blanking plugs

BUZ

VKA

ROV



Pg. 195

Pg. 196

Pg. 197

Male tube fittings

S



Pg. 198

Hexagon nuts

GM



Pg. 199

Reinforcing sleeves

VH



Pg. 200

Sealing rings for ES-4 cutting rings

WDZ

OR



Pg. 201

Contents

Type/Page

Sealing rings
(Seal-edge rings for banjo
and gauge couplings)

DKA



Pg. 202

Sealing rings for eccentric
banjo couplings

KDS

OR



Pg. 203

Sealing rings for threaded
studs

ED

OR



Pg. 204

Sealing rings for taper
couplings (DKO) and flared
cones

OR



Pg. 205

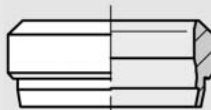
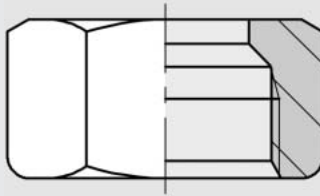
Sealing rings for flange
couplings

OR

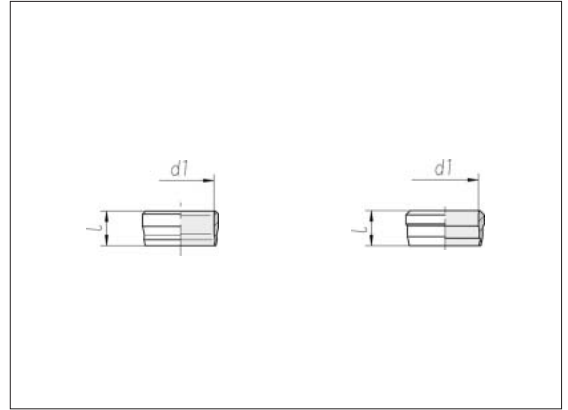


Pg. 206-207

Tube connection components



1S and 2S cutting rings



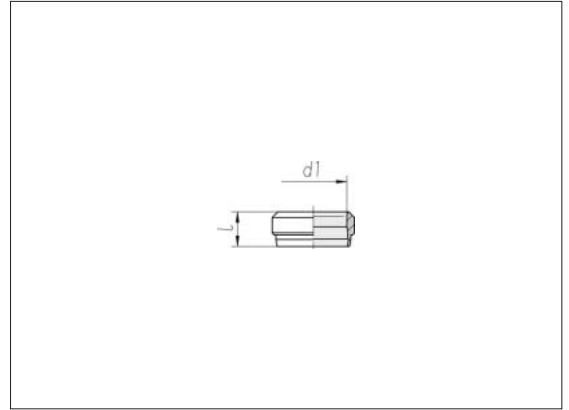
Series	l	Pressure	Order No.	Pressure	Order No.	Order No.
Tube OD			1S cutting ring		2S cutting ring	2SVA cutting ring
d1						
LL 4	6.5	PN 100	0 0 06 00 20 00*			
LL 5	7.5	PN 100	0 0 06 05 20 00			
LL 6	7.5	PN 100	0 0 06 10 20 00			
LL 8	7.5	PN 100	0 0 06 15 20 00			
L 6	8.8			PN 315	0 0 10 00 20 00**	0 0 10 00 60 00
L 8	8.8			PN 315	0 0 10 05 20 00	0 0 10 05 60 00
L 10	9.8			PN 315	0 0 10 10 20 00	0 0 10 10 60 00
L 12	9.8			PN 315	0 0 10 15 20 00	0 0 10 15 60 00
L 15	10.2			PN 315	0 0 10 20 20 00	0 0 10 20 60 00
L 18	10.2			PN 315	0 0 10 25 20 00	0 0 10 25 60 00
L 22	12.5			PN 160	0 0 10 30 20 00	0 0 10 30 60 00
L 28	12.5			PN 160	0 0 10 35 20 00	0 0 10 35 60 00
L 35	13.5			PN 160	0 0 10 40 20 00	0 0 10 40 60 00
L 42	13.5			PN 160	0 0 10 45 20 00	0 0 10 45 60 00
S 6	8.8			PN 630	0 0 10 00 20 00	0 0 10 00 60 00
S 8	8.8			PN 630	0 0 10 05 20 00	0 0 10 05 60 00
S 10	9.8			PN 630	0 0 10 10 20 00	0 0 10 10 60 00
S 12	9.8			PN 630	0 0 10 15 20 00	0 0 10 15 60 00
S 14	10.2			PN 630	0 0 10 70 20 00	0 0 10 70 60 00
S 16	10.2			PN 400	0 0 10 75 20 00	0 0 10 75 60 00
S 20	12.5			PN 400	0 0 10 80 20 00	0 0 10 80 60 00
S 25	12.5			PN 400	0 0 10 85 20 00	0 0 10 85 60 00
S 30	13.5			PN 400	0 0 10 90 20 00	0 0 10 90 60 00
S 38	13.5			PN 315	0 0 10 95 20 00	0 0 10 95 60 00

Cutting rings of tube OD 6 – 12 mm are identical in L + S series

* Sample product code, see: D04LLX
DIN 3861-ALL4-St

** DPR06LX
ISO 8434-1-CR-L6-St

2S *plus* cutting rings

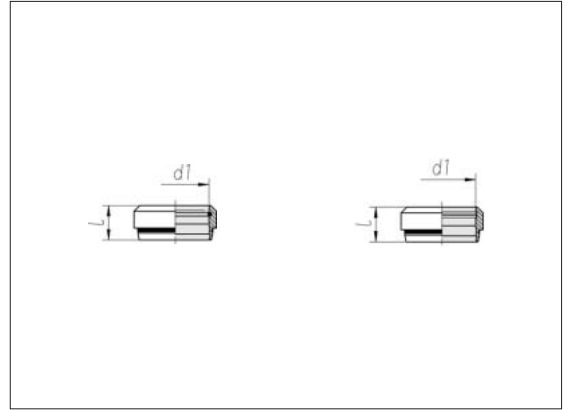


Series Tube OD d1	Pressure	l	Order No. 2S <i>plus</i> cutting ring
L 6	PN 500	9.3	0 0 18 00 21 00*
L 8	PN 500	9.3	0 0 18 05 21 00
L 10	PN 500	9.8	0 0 18 10 21 00
L 12	PN 400	9.8	0 0 18 15 21 00
L 15	PN 400	10.2	0 0 18 20 21 00
L 18	PN 400	10.2	0 0 18 25 21 00
L 22	PN 250	11.5	0 0 18 30 21 00
L 28	PN 250	11.5	0 0 18 35 21 00
L 35	PN 250	13.5	0 0 18 40 21 00
L 42	PN 250	13.5	0 0 18 45 21 00
S 6	PN 800	9.3	0 0 18 00 21 00
S 8	PN 800	9.3	0 0 18 05 21 00
S 10	PN 800	9.8	0 0 18 10 21 00
S 12	PN 630	9.8	0 0 18 15 21 00
S 14	PN 630	10.2	0 0 18 70 21 00
S 16	PN 630	10.2	0 0 18 75 21 00
S 20	PN 420	12.5	0 0 18 80 21 00
S 25	PN 420	12.5	0 0 18 85 21 00
S 30	PN 420	13.5	0 0 18 90 21 00
S 38	PN 420	13.5	0 0 18 95 21 00

Cutting rings of tube OD 6 – 12 mm
are identical in L + S series

* Sample product code, see:
ISO 8434-1-CR-L6-St

ES-4 cutting rings

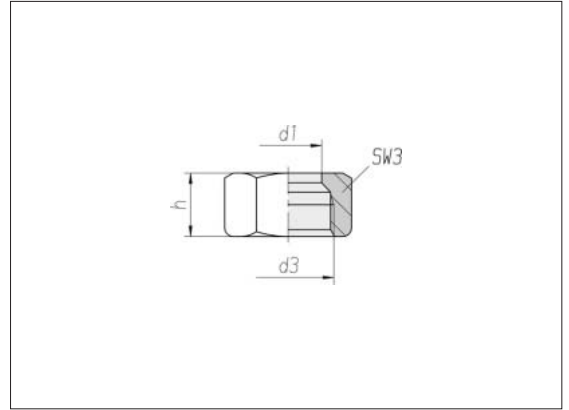


Series	l	Pressure	Order No. ES-4 cutting ring	Pressure	Order No. ES-4VA cutting ring
Tube OD	d1				
L 6	8.8	PN 500	0 0 11 00 20 39*	PN 315	0 0 11 00 60 39
L 8	8.8	PN 500	0 0 11 05 20 39	PN 315	0 0 11 05 60 39
L 10	9.8	PN 500	0 0 11 10 20 39	PN 315	0 0 11 10 60 39
L 12	9.8	PN 400	0 0 11 15 20 39	PN 315	0 0 11 15 60 39
L 15	10.2	PN 400	0 0 11 20 20 39	PN 315	0 0 11 20 60 39
L 18	10.2	PN 400	0 0 11 25 20 39	PN 315	0 0 11 25 60 39
L 22	11.5	PN 250	0 0 11 30 20 39	PN 160	0 0 11 30 60 39
L 28	11.5	PN 250	0 0 11 35 20 39	PN 160	0 0 11 35 60 39
L 35	13.5	PN 250	0 0 11 40 20 39	PN 160	0 0 11 40 60 39
L 42	13.5	PN 250	0 0 11 45 20 39	PN 160	0 0 11 45 60 39
S 6	8.8	PN 800	0 0 11 00 20 39	PN 630	0 0 11 00 60 39
S 8	8.8	PN 800	0 0 11 05 20 39	PN 630	0 0 11 05 60 39
S 10	9.8	PN 800	0 0 11 10 20 39	PN 630	0 0 11 10 60 39
S 12	9.8	PN 630	0 0 11 15 20 39	PN 630	0 0 11 15 60 39
S 14	10.2	PN 630	0 0 11 70 20 39	PN 630	0 0 11 70 60 39
S 16	10.2	PN 630	0 0 11 75 20 39	PN 400	0 0 11 75 60 39
S 20	12.5	PN 420	0 0 11 80 20 39	PN 400	0 0 11 80 60 39
S 25	12.5	PN 420	0 0 11 85 20 39	PN 400	0 0 11 85 60 39
S 30	13.5	PN 420	0 0 11 90 20 39	PN 400	0 0 11 90 60 39
S 38	13.5	PN 420	0 0 11 95 20 39	PN 315	0 0 11 95 60 39

Cutting rings of tube OD 6 – 12 mm
are identical in L + S series

* Sample product code, see:
ISO 8434-1-CR-L6-St

Union nuts



Series Tube OD d1	Pressure	d3	SW3	h	Order No. Union nut
LL 4	PN 100	M 8 x 1	10	11	0 0 03 00 21 00*
LL 5	PN 100	M 10 x 1	12	11.5	0 0 03 05 21 00
LL 6	PN 100	M 10 x 1	12	11.5	0 0 03 10 21 00
LL 8	PN 100	M 12 x 1	14	12	0 0 03 15 21 00
L 6	PN 500	M 12 x 1.5	14	14.5	0 0 04 00 21 00**
L 8	PN 500	M 14 x 1.5	17	14.5	0 0 04 05 21 00
L 10	PN 500	M 16 x 1.5	19	15.5	0 0 04 10 21 00
L 12	PN 400	M 18 x 1.5	22	15.5	0 0 04 15 21 00
L 15	PN 400	M 22 x 1.5	27	17	0 0 04 20 21 00
L 18	PN 400	M 26 x 1.5	32	18	0 0 04 25 21 00
L 22	PN 250	M 30 x 2	36	20	0 0 04 30 21 00
L 28	PN 250	M 36 x 2	41	21	0 0 04 35 21 00
L 35	PN 250	M 45 x 2	50	24	0 0 04 40 21 00
L 42	PN 250	M 52 x 2	60	24	0 0 04 45 21 00
S 6	PN 800	M 14 x 1.5	17	16.5	0 0 04 50 21 00
S 8	PN 800	M 16 x 1.5	19	16.5	0 0 04 55 21 00
S 10	PN 800	M 18 x 1.5	22	17.5	0 0 04 60 21 00
S 12	PN 630	M 20 x 1.5	24	17.5	0 0 04 65 21 00
S 14	PN 630	M 22 x 1.5	27	20.5	0 0 04 70 21 00
S 16	PN 630	M 24 x 1.5	30	20.5	0 0 04 75 21 00
S 20	PN 420	M 30 x 2	36	24	0 0 04 80 21 00
S 25	PN 420	M 36 x 2	46	27	0 0 04 85 21 00
S 30	PN 420	M 42 x 2	50	29	0 0 04 90 21 00
S 38	PN 420	M 52 x 2	60	32.5	0 0 04 95 21 00

The union nuts are coated with sliding wax to reduce assembly forces

* Sample product code, see:
M04LLX
DIN 3870-ALL4

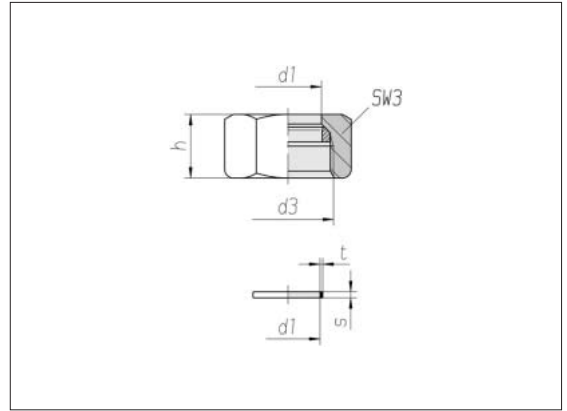
** M06LX
ISO 8434-1-N-L6-St

VOSSForm^{SQR} VOSSForm^{SQR}VA

Steel set / stainless steel set
consisting of

- SQR nuts
- Moulded seals

The standard material of the
moulded seals is FPM / FKM



Series	d3	SW3	h	kg/100 approx.	Pressure	Order No.* SQR nut + Spare seal	Pressure	Order No.** SQRVA nut + Spare seal	d1	s	t	Order No. Spare seal
Tube OD d1												
L 6	M 12 x 1.5	14	14.5	1.1	PN 500	0 0 15 50 21 67	PN 315	0 0 15 50 60 67	6	1.8	0.7	0 9 12 30 97 90
L 8	M 14 x 1.5	17	14.5	1.7	PN 500	0 0 15 51 21 67	PN 315	0 0 15 51 60 67	8	1.8	0.7	0 9 12 31 97 90
L 10	M 16 x 1.5	19	15.5	2.0	PN 500	0 0 15 52 21 67	PN 315	0 0 15 52 60 67	10	2.0	0.7	0 9 12 32 97 90
L 12	M 18 x 1.5	22	15.5	2.8	PN 400	0 0 15 53 21 67	PN 315	0 0 15 53 60 67	12	2.0	0.7	0 9 12 33 97 90
L 15	M 22 x 1.5	27	17	4.7	PN 400	0 0 15 54 21 67	PN 315	0 0 15 54 60 67	15	2.0	0.7	0 9 12 34 97 90
L 18	M 26 x 1.5	32	18	6.9	PN 400	0 0 15 55 21 67	PN 315	0 0 15 55 60 67	18	2.0	0.7	0 9 12 35 97 90
L 22	M 30 x 2	36	20	8.9	PN 250	0 0 15 56 21 67	PN 160	0 0 15 56 60 67	22	2.0	0.7	0 9 12 36 97 90
L 28	M 36 x 2	41	21	9.4	PN 250	0 0 15 57 21 67	PN 160	0 0 15 57 60 67	28	2.0	0.7	0 9 12 37 97 90
L 35	M 45 x 2	50	24	15.0	PN 250	0 0 15 58 21 67	PN 160	0 0 15 58 60 67	35	2.6	0.9	0 9 12 38 97 90
L 42	M 52 x 2	60	24	23.0	PN 250	0 0 15 59 21 67	PN 160	0 0 15 59 60 67	42	2.6	0.9	0 9 12 39 97 90
S 6	M 14 x 1.5	17	16.5	2.0	PN 800	0 0 15 60 21 67	PN 630	0 0 15 60 60 67	6	1.8	0.7	0 9 12 30 97 90
S 8	M 16 x 1.5	19	16.5	2.3	PN 800	0 0 15 61 21 67	PN 630	0 0 15 61 60 67	8	1.8	0.7	0 9 12 31 97 90
S 10	M 18 x 1.5	22	17.5	3.5	PN 800	0 0 15 62 21 67	PN 630	0 0 15 62 60 67	10	2.0	0.7	0 9 12 32 97 90
S 12	M 20 x 1.5	24	17.5	3.9	PN 630	0 0 15 63 21 67	PN 630	0 0 15 63 60 67	12	2.0	0.7	0 9 12 33 97 90
S 14	M 22 x 1.5	27	20.5	5.8	PN 630	0 0 15 64 21 67	PN 630	0 0 15 64 60 67	14	2.0	0.7	0 9 12 40 97 90
S 16	M 24 x 1.5	30	20.5	7.1	PN 630	0 0 15 65 21 67	PN 400	0 0 15 65 60 67	16	2.0	0.7	0 9 12 41 97 90
S 20	M 30 x 2	36	24	11.3	PN 420	0 0 15 66 21 67	PN 400	0 0 15 66 60 67	20	2.5	0.9	0 9 12 42 97 90
S 25	M 36 x 2	46	27	21.2	PN 420	0 0 15 67 21 67	PN 400	0 0 15 67 60 67	25	2.5	0.9	0 9 12 43 97 90
S 30	M 42 x 2	50	29	23.3	PN 420	0 0 15 68 21 67	PN 400	0 0 15 68 60 67	30	2.6	0.9	0 9 12 44 97 90
S 38	M 52 x 2	60	32.5	34.4	PN 420	0 0 15 69 21 67	PN 315	0 0 15 69 60 67	38	2.6	0.9	0 9 12 45 97 90

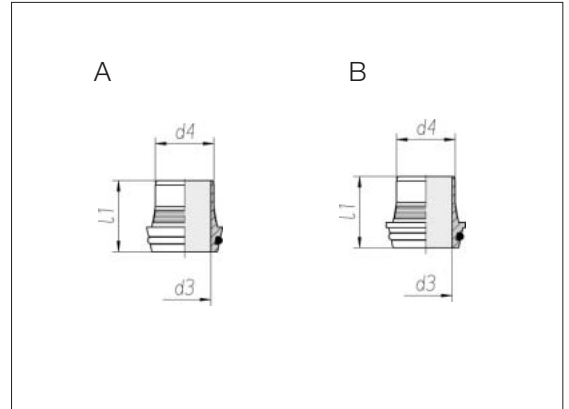
The steel union nuts are coated with
gliding wax in order to reduce
assembly effort.

* Material: Steel

** Material: Stainless steel

Flared cone

L series



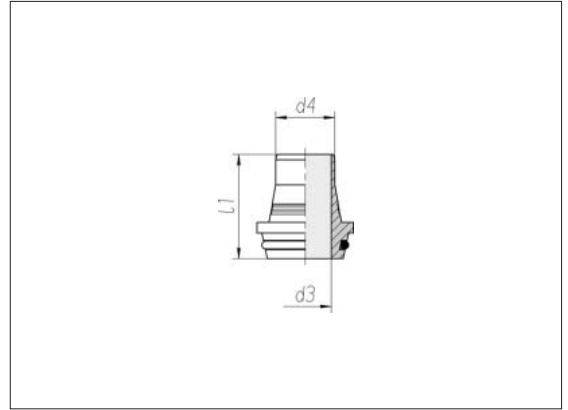
3

Series Tube d1 x s	Pressure	d3	d4	l1	Type	kg/100 approx.	Order No.
L 6 x 1	PN 500	2.9	4.2	16.5	A	0.3	0 0 34 00 99 00*
L 8 x 1	PN 500	4.9	6.2	18	A	0.4	0 0 34 05 99 00
L 10 x 1	PN 500	6.3	8.2	19	A	0.6	0 0 34 10 99 00
L 10 x 1.5	PN 500	5.5	7.2	19	A	0.6	0 0 34 11 99 00
L 12 x 1	PN 400	8.0	10.2	21.5	A	0.9	0 0 34 15 99 00
L 12 x 1.5	PN 400	7.5	9.2	21.5	A	0.8	0 0 34 16 99 00
L 15 x 1.5	PN 400	10.2	12.2	21.5	A	1.1	0 0 34 21 99 00
L 15 x 2	PN 400	9.1	11.3	21.5	A	1.2	0 0 34 22 99 00
L 18 x 1.5	PN 400	13.0	15.2	22	B	1.5	0 0 34 26 99 00
L 18 x 2	PN 400	12.0	14.3	22	B	1.6	0 0 34 27 99 00
L 22 x 1.5	PN 250	16.2	19.2	23.5	B	2.0	0 0 34 31 99 00
L 22 x 2	PN 250	16.2	18.3	23.5	B	2.0	0 0 34 32 99 00
L 28 x 2	PN 250	21.0	24.3	27	B	3.8	0 0 34 37 99 00
L 28 x 3	PN 250	19.5	22.3	27	B	3.6	0 0 34 39 99 00
L 35 x 2	PN 250	28.5	31.3	31	B	5.3	0 0 34 41 99 00
L 35 x 3	PN 250	26.5	29.3	31	B	6.1	0 0 34 43 99 00
L 42 x 3	PN 250	33.5	36.3	31	B	7.7	0 0 34 47 99 00

* Sample product code, see:
BOEKEGL6X1

Flared cone

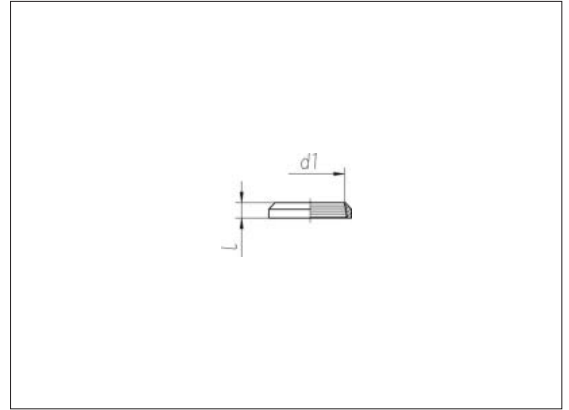
S series



Series Tube OD d1 x s	Pressure	d3	d4	l1	kg/100 approx.	Order No.
S 8 x 1,5	PN 800	4	5.2	20	0.5	0 0 34 56 99 00*
S 8 x 2	PN 800	3	4.2	20	0.5	0 0 34 57 99 00
S 10 x 1.5	PN 800	5.5	7.2	21	0.8	0 0 34 61 99 00
S 10 x 2	PN 800	4.5	6.2	21	0.8	0 0 34 62 99 00
S 12 x 1.5	PN 630	7.5	9.2	22.5	1.0	0 0 34 66 99 00
S 12 x 2	PN 630	6.5	8.2	22.5	1.1	0 0 34 67 99 00
S 12 x 3	PN 630	4.5	6.2	22.5	1.1	0 0 34 69 99 00
S 14 x 2	PN 630	8.5	10.3	26	1.5	0 0 34 71 99 00
S 16 x 2	PN 630	10.5	12.3	26.5	1.8	0 0 34 77 99 00
S 16 x 2.5	PN 630	9.5	11.3	26.5	1.6	0 0 34 78 99 00
S 16 x 3	PN 630	8.5	10.3	26.5	1.8	0 0 34 79 99 00
S 20 x 2	PN 420	13.5	16.3	32	3.4	0 0 34 81 99 00
S 20 x 2.5	PN 420	13.5	15.3	32	3.3	0 0 34 82 99 00
S 20 x 3	PN 420	12.5	14.3	32	3.5	0 0 34 83 99 00
S 20 x 3.5	PN 420	11	13.3	32	3.1	0 0 34 84 99 00
S 20 x 4	PN 420	10	12.3	32	3.1	0 0 40 04 99 00
S 25 x 2.5	PN 420	18	20.3	34.5	5.9	0 0 34 86 99 00
S 25 x 3	PN 420	17	19.3	34.5	6.1	0 0 34 87 99 00
S 25 x 4	PN 420	15	17.3	34.5	6.5	0 0 34 88 99 00
S 30 x 3	PN 420	22	24.3	34.5	6.8	0 0 34 92 99 00
S 30 x 4	PN 420	20	22.3	34.5	7.4	0 0 34 93 99 00
S 30 x 5	PN 420	17	20.3	34.5	8.5	0 0 34 94 99 00
S 38 x 3	PN 420	30	32.3	38	8.9	0 0 34 96 99 00
S 38 x 4	PN 420	27	30.3	38	12.8	0 0 34 97 99 00
S 38 x 5	PN 420	25	28.3	38	12.0	0 0 34 98 99 00
S 38 x 6	PN 420	23	26.3	38	11.8	0 0 34 99 99 00

* Sample product code, see:
BOEKEGS8X1.5

Clamping rings



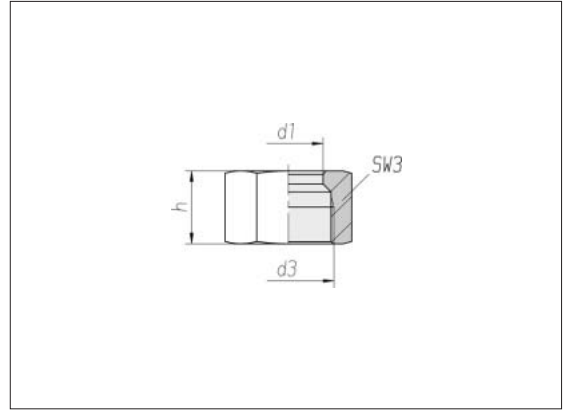
3

Series Tube OD d1	Pressure	l	kg/100 approx.	Order No.
L 6	PN 500	3.8	0.1	0 0 31 00 19 00*
L 8	PN 500	3.8	0.1	0 0 31 05 19 00
L 10	PN 500	3.8	0.1	0 0 31 10 19 00
L 12	PN 400	3.8	0.2	0 0 31 15 19 00
L 15	PN 400	4.5	0.3	0 0 31 20 19 00
L 18	PN 400	4.5	0.4	0 0 31 25 19 00
L 22	PN 250	5.0	0.5	0 0 31 30 19 00
L 28	PN 250	5.5	0.5	0 0 31 35 19 00
L 35	PN 250	7.0	1.4	0 0 31 40 19 00
L 42	PN 250	7.0	1.6	0 0 31 45 19 00
S 8	PN 800	4.5	0.3	0 0 31 55 19 00
S 10	PN 800	4.5	0.3	0 0 31 60 19 00
S 12	PN 630	4.5	0.3	0 0 31 65 19 00
S 14	PN 630	6.5	0.5	0 0 31 70 19 00
S 16	PN 630	6.5	0.6	0 0 31 75 19 00
S 20	PN 420	9.0	1.1	0 0 31 80 19 00
S 25	PN 420	10.0	2.3	0 0 31 85 19 00
S 30	PN 420	10.0	2.6	0 0 31 90 19 00
S 38	PN 420	13.5	5.7	0 0 31 95 19 00

* Sample product code, see:
BOEKLEL6

Union nuts

for flared couplings

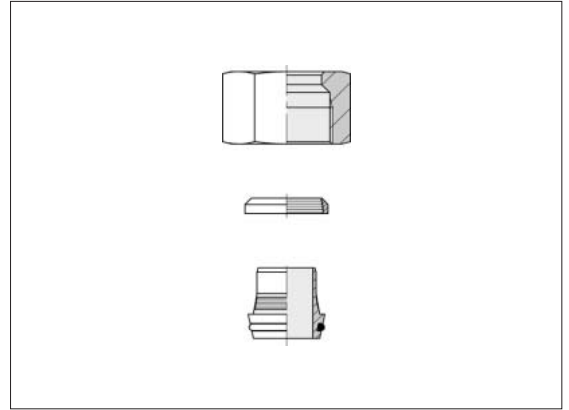


Series Tube OD d1	Pressure	d3	SW3	h	kg/100 approx.	Order No.
L 6	PN 500	M 12 x 1.5	14	17.8	1.2	0 0 32 00 21 00*
L 8	PN 500	M 14 x 1.5	17	17.8	1.8	0 0 32 05 21 00
L 10	PN 500	M 16 x 1.5	19	18.8	2.2	0 0 32 10 21 00
L 12	PN 400	M 18 x 1.5	22	18.8	3.1	0 0 32 15 21 00
L 15	PN 400	M 22 x 1.5	27	20.3	5.0	0 0 32 20 21 00
L 18	PN 400	M 26 x 1.5	32	21.3	7.5	0 0 32 25 21 00
L 22	PN 250	M 30 x 2	36	24.0	9.9	0 0 32 30 21 00
L 28	PN 250	M 36 x 2	41	25.0	11.2	0 0 32 35 21 00
L 35	PN 250	M 45 x 2	50	28.0	17.2	0 0 32 40 21 00
L 42	PN 250	M 52 x 2	60	28.0	26.7	0 0 32 45 21 00
S 8	PN 800	M 16 x 1.5	19	20.0	2.5	0 0 32 55 21 00
S 10	PN 800	M 18 x 1.5	22	21.5	3.7	0 0 32 60 21 00
S 12	PN 630	M 20 x 1.5	24	21.5	4.1	0 0 32 65 21 00
S 14	PN 630	M 22 x 1.5	27	26.0	6.5	0 0 32 70 21 00
S 16	PN 630	M 24 x 1.5	30	26.0	8.1	0 0 32 75 21 00
S 20	PN 420	M 30 x 2	36	30.5	12.6	0 0 32 80 21 00
S 25	PN 420	M 36 x 2	46	38.0	28.4	0 0 32 85 21 00
S 30	PN 420	M 42 x 2	50	39.0	29.5	0 0 32 90 21 00
S 38	PN 420	M 52 x 2	60	46.0	45.2	0 0 32 95 21 00

* Sample product code, see:
ML6BOE

Flared fittings

L series
complete



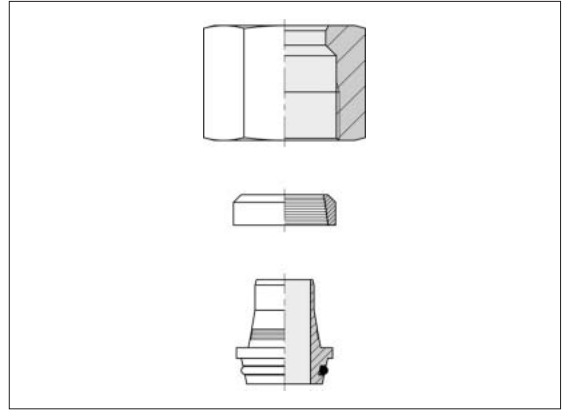
3

Series Tube d1 x s	Pressure	kg/100 approx.	Order No.
L 6 x 1	PN 500	1.6	0 0 33 00 99 00*
L 8 x 1	PN 500	2.3	0 0 33 05 99 00
L 10 x 1	PN 500	2.9	0 0 33 10 99 00
L 10 x 1.5	PN 500	2.9	0 0 33 11 99 00
L 12 x 1	PN 400	4.2	0 0 33 15 99 00
L 12 x 1.5	PN 400	4.2	0 0 33 16 99 00
L 15 x 1.5	PN 400	6.4	0 0 33 21 99 00
L 15 x 2	PN 400	6.4	0 0 33 22 99 00
L 18 x 1.5	PN 400	9.4	0 0 33 26 99 00
L 18 x 2	PN 400	9.5	0 0 33 27 99 00
L 22 x 1.5	PN 250	12.4	0 0 33 31 99 00
L 22 x 2	PN 250	12.4	0 0 33 32 99 00
L 28 x 2	PN 250	15.5	0 0 33 37 99 00
L 28 x 3	PN 250	15.3	0 0 33 39 99 00
L 35 x 2	PN 250	23.9	0 0 33 41 99 00
L 35 x 3	PN 250	24.7	0 0 33 43 99 00
L 42 x 3	PN 250	36.0	0 0 33 47 99 00

* Sample product code, see:
BOEETKL6X1

Flared fittings

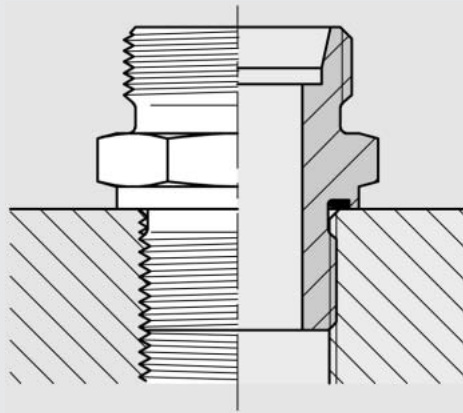
S series
complete



Series Tube d1 x s	Pressure	kg/100 approx.	Order No.
S 8 x 1.5	PN 800	4.8	0 0 33 56 99 00*
S 8 x 2	PN 800	5.0	0 0 33 57 99 00
S 10 x 1.5	PN 800	5.6	0 0 33 61 99 00
S 10 x 2	PN 800	5.6	0 0 33 62 99 00
S 12 x 1.5	PN 630	6.5	0 0 33 66 99 00
S 12 x 2	PN 630	6.6	0 0 33 67 99 00
S 12 x 3	PN 630	6.7	0 0 33 69 99 00
S 14 x 2	PN 630	10.3	0 0 33 71 99 00
S 16 x 2	PN 630	11.0	0 0 33 77 99 00
S 16 x 2.5	PN 630	11.0	0 0 33 78 99 00
S 16 x 3	PN 630	11.4	0 0 33 79 99 00
S 20 x 2	PN 420	15.7	0 0 33 81 99 00
S 20 x 2.5	PN 420	15.7	0 0 33 82 99 00
S 20 x 3	PN 420	15.7	0 0 33 83 99 00
S 20 x 3.5	PN 420	15.7	0 0 33 84 99 00
S 20 x 4	PN 420	15.5	0 0 33 85 99 00
S 25 x 2.5	PN 420	25.3	0 0 33 86 99 00
S 25 x 3	PN 420	25.3	0 0 33 87 99 00
S 25 x 4	PN 420	25.5	0 0 33 88 99 00
S 30 x 3	PN 420	37.5	0 0 33 92 99 00
S 30 x 4	PN 420	38.0	0 0 33 93 99 00
S 30 x 5	PN 420	39.2	0 0 33 94 99 00
S 38 x 3	PN 420	60.0	0 0 33 96 99 00
S 38 x 4	PN 420	61.7	0 0 33 97 99 00
S 38 x 5	PN 420	62.2	0 0 33 98 99 00
S 38 x 6	PN 420	62.3	0 0 33 99 99 00

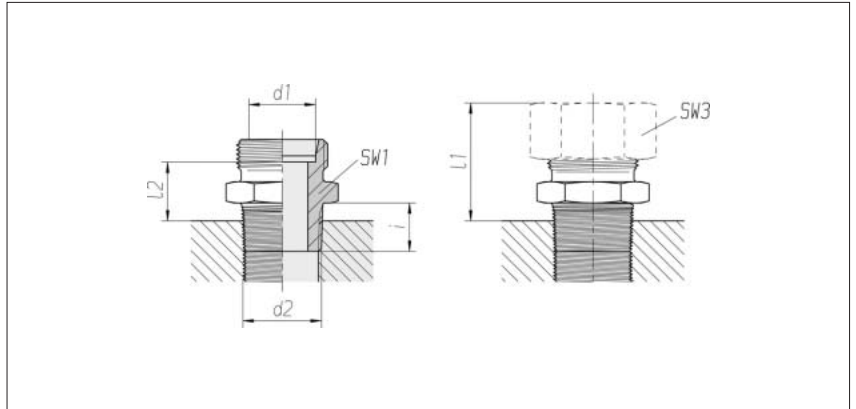
* Sample product code, see:
BOEETKS8X1.5

Male stud couplings



Straight male stud couplings

Thread:
metric fine thread,
tapered



Series Tube OD d1	Pressure	d2		SW1	SW3	l1 approx.	l2 approx.	i	kg/100 approx.	Order No. Single component	Order No. *
LL 4	PN 100	M 8 x 1	taper	10	10	20	10.5	8	0.6	0 7 01 00 20 00	-
LL 6	PN 100	M 8 x 1	taper	11	12	20.5	9	8	0.6	0 7 01 11 20 00	-
LL 6	PN 100	M 10 x 1	taper	11	12	20.5	9	8	0.8	0 7 01 10 20 00	-
LL 8	PN 100	M 10 x 1	taper	12	14	23.5	11	8	1.0	0 7 01 15 20 00	-
L 6	PN 315	M 10 x 1	taper	14	14	24.5	10	8	1.3	0 7 02 00 20 00	0 1 02 00 20 07**
L 8	PN 315	M 12 x 1.5	taper	17	17	27	12	12	2.1	0 7 02 05 20 00	0 1 02 05 20 07
L 10	PN 315	M 14 x 1.5	taper	17	19	28	13	12	2.5	0 7 02 10 20 00	0 1 02 10 20 07
L 12	PN 315	M 16 x 1.5	taper	19	22	28.5	14	12	3.2	0 7 02 15 20 00	0 1 02 15 20 07
L 15	PN 315	M 18 x 1.5	taper	24	27	30	15	12	4.7	0 7 02 20 20 00	0 1 02 20 20 07
L 18	PN 315	M 22 x 1.5	taper	27	32	32	16	14	6.8	0 7 02 25 20 00	0 1 02 25 20 07
S 6	PB 630	M 12 x 1.5	taper	17	17	30	15	12	2.8	0 7 02 50 20 00	0 1 02 50 20 07
S 8	PB 630	M 14 x 1.5	taper	17	19	32	17	12	3.7	0 7 02 55 20 00	0 1 02 55 20 07
S 10	PB 630	M 16 x 1.5	taper	19	22	32.5	16.5	12	4.3	0 7 02 60 20 00	0 1 02 60 20 07
S 12	PB 630	M 18 x 1.5	taper	22	24	34.5	18.5	12	6.0	0 7 02 65 20 00	0 1 02 65 20 07
S 14	PB 630	M 20 x 1.5	taper	27	27	38.5	20.5	14	8.7	0 7 02 70 20 00	0 1 02 70 20 07
S 16	PB 400	M 22 x 1.5	taper	27	30	38.5	20	14	9.0	0 7 02 75 20 00	0 1 02 75 20 07

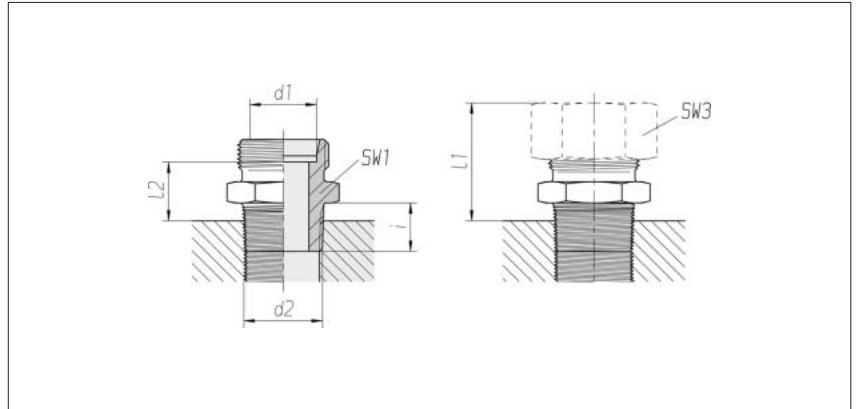
The operating pressure PB 630
only applies for threaded bores with
tapered threads

* With union nut and 2S cutting ring

** Sample product code, see:
GE06LM
DIN 2353-AL6-St

Straight male stud couplings

Thread:
Whitworth pipe thread,
tapered



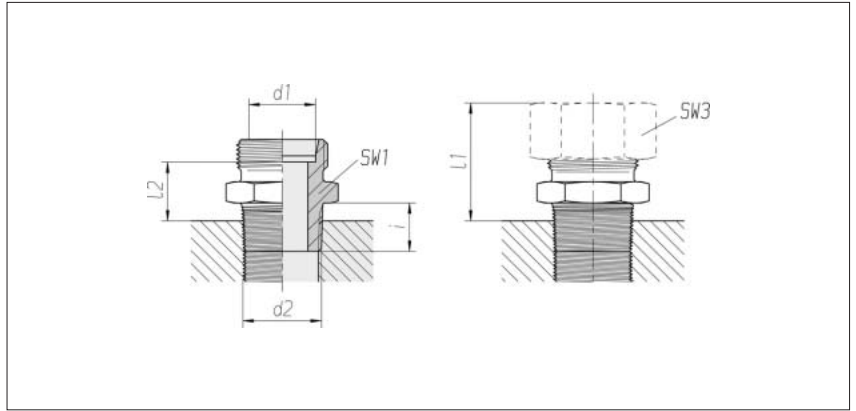
Series	Pressure	d2		SW1	SW3	l1	l2	i	kg/100	Order No.	Order No.
Tube OD						approx.	approx.		approx.	Single component	*
d1											
LL 4	PN 100	R 1/8		10	10	20	10.5	8	0.8	0 7 03 00 20 00	-
LL 5	PN 100	R 1/8		11	12	21	9.5	8	0.9	0 7 03 05 20 00	-
LL 6	PN 100	R 1/8		11	12	20.5	9	8	0.8	0 7 03 10 20 00	-
LL 8	PN 100	R 1/8		12	14	23.5	11	8	0.9	0 7 03 15 20 00	-
LL 8	PN 100	R 1/4		14	14	25	12.5	12	1.7	0 7 03 17 20 00	-
L 6	PN 315	R 1/8		14	14	24.5	10	8	1.2	0 7 04 00 20 00	0 1 04 00 20 07**
L 6	PN 315	R 1/4		14	14	25.5	11	12	1.9	0 7 04 02 20 00	0 1 04 02 20 07
L 8	PN 315	R 1/8		14	17	26	11	8	1.5	0 7 04 06 20 00	0 1 04 06 20 07
L 8	PN 315	R 1/4		17	17	27	12	12	2.2	0 7 04 05 20 00	0 1 04 05 20 07
L 8	PN 315	R 3/8		19	17	28	13	12	3.4	0 7 04 07 20 00	0 1 04 07 20 07
L 8	PN 315	R 1/2		24	17	28.5	13.5	14	5.9	0 7 04 08 20 00	0 1 04 08 20 07
L 10	PN 315	R 1/4		17	19	28	13	12	2.3	0 7 04 10 20 00	0 1 04 10 20 07
L 10	PN 315	R 3/8		19	19	28	13	12	3.1	0 7 04 12 20 00	0 1 04 12 20 07
L 10	PN 315	R 1/2		24	19	29.5	14.5	14	5.6	0 7 04 13 20 00	0 1 04 13 20 07
L 12	PN 315	R 1/4		19	22	28.5	14	12	2.8	0 7 04 16 20 00	0 1 04 16 20 07
L 12	PN 315	R 3/8		19	22	28.5	14	12	3.3	0 7 04 15 20 00	0 1 04 15 20 07
L 12	PN 315	R 1/2		24	22	29	14.5	14	5.5	0 7 04 17 20 00	0 1 04 17 20 07
L 15	PN 315	R 1/4		24	27	30	15	12	4.4	0 7 04 23 20 00	0 1 04 23 20 07
L 15	PN 315	R 3/8		24	27	30	15	12	4.4	0 7 04 21 20 00	0 1 04 21 20 07
L 15	PN 315	R 1/2		24	27	30.5	15.5	14	5.8	0 7 04 20 20 00	0 1 04 20 20 07
L 18	PN 315	R 1/2		27	32	32.5	16	14	6.4	0 7 04 25 20 00	0 1 04 25 20 07
L 22	PB 160	R 1/2		32	36	34.5	18	14	8.1	0 7 04 31 20 00	0 1 04 31 20 07
L 22	PB 160	R 3/4		32	36	35	18.5	16	9.6	0 7 04 30 20 00	0 1 04 30 20 07
L 28	PB 160	R 3/4		41	41	36	19.5	16	13.9	0 7 04 36 20 00	0 1 04 36 20 07
L 28	PB 160	R 1		41	41	37	20.5	18	15.6	0 7 04 35 20 00	0 1 04 35 20 07

* With union nut and 2S cutting ring

** Sample product code, see:
GE06LR
DIN 2353-BL6-St

Straight male stud couplings

Thread:
Whitworth pipe thread,
tapered



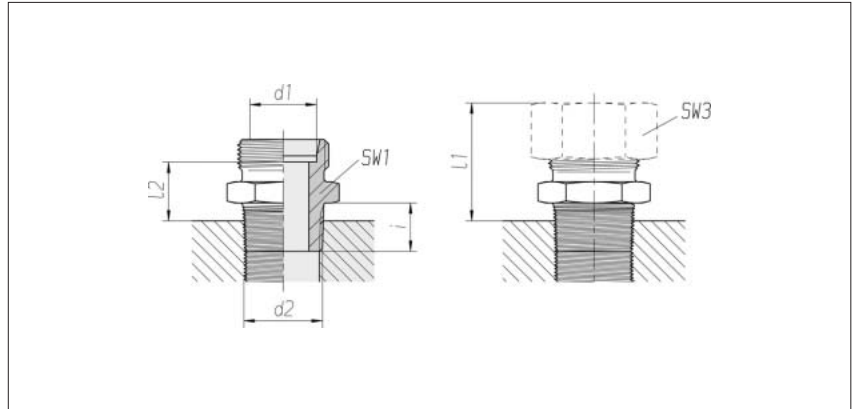
Series	Pressure	d2		SW1	SW3	l1	l2	i	kg/100	Order No.	Order No.
Tube OD						approx.	approx.		approx.	Single component	*
d1											
S 6	PB 630	R 1/4		17	17	30	15	12	3.0	0 7 04 50 20 00	0 1 04 50 20 07
S 8	PB 630	R 1/4		17	19	32	17	12	3.4	0 7 04 55 20 00	0 1 04 55 20 07
S 10	PB 630	R 3/8		19	22	32.5	16.5	12	4.4	0 7 04 60 20 00	0 1 04 60 20 07
S 12	PB 630	R 3/8		22	24	34.5	18.5	12	5.8	0 7 04 65 20 00	0 1 04 65 20 07
S 14	PB 630	R 3/8		24	27	38	20	12	6.8	0 7 04 71 20 00	0 1 04 71 20 07
S 14	PB 630	R 1/2		27	27	38.5	20.5	14	8.9	0 7 04 70 20 00	0 1 04 70 20 07
S 16	PB 400	R 3/8		27	30	38	19.5	12	7.9	0 7 04 76 20 00	0 1 04 76 20 07
S 16	PB 400	R 1/2		27	30	38.5	20	14	8.5	0 7 04 75 20 00	0 1 04 75 20 07
S 20	PB 400	R 3/4		32	36	44	22.5	16	14.1	0 7 04 80 20 00	0 1 04 80 20 07

The operating pressure PB 630 only applies for threaded bores with tapered threads

* With union nut and 2S cutting ring

Straight male stud couplings

Thread:
NPT (ANSI/ASME B 1
- 20/01/1983)



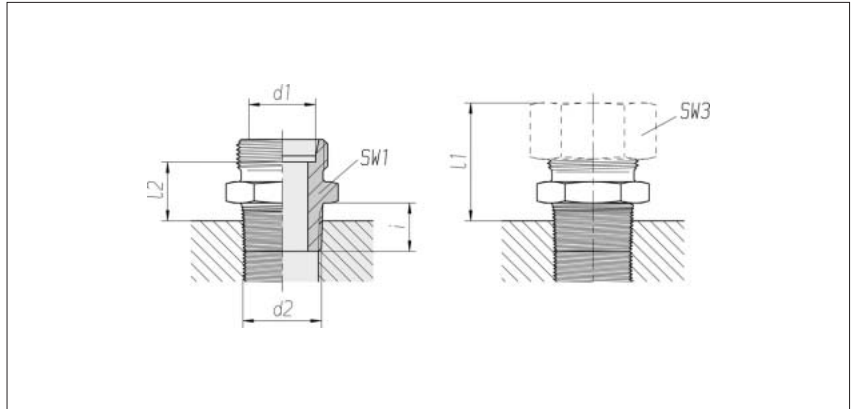
Series Tube OD d1	Pressure	d2	SW1	SW3	l1 approx.	l2 approx.	i	Nm -10 %	kg/100 approx.	Order No. Single component	Order No. *
LL 4	PN 100	1/8 NPT	11	10	21	11.5	9.9	15	0.9	0 7 05 00 20 00	-
LL 6	PN 100	1/8 NPT	11	12	21.5	10	9.9	15	0.9	0 7 05 10 20 00	-
LL 8	PN 100	1/8 NPT	12	14	24.5	12	9.9	15	1.0	0 7 05 15 20 00	-
L 6	PN 315	1/8 NPT	12	14	25	10.5	9.9	15	1.2	0 7 06 00 20 00**	0 1 06 00 20 07
L 6	PN 315	1/4 NPT	17	14	25.5	10.5	15.1	35	2.6	0 7 06 02 20 00	0 1 06 02 20 07
L 8	PN 315	1/8 NPT	14	17	26.5	11.5	9.9	15	1.5	0 7 06 06 20 00	0 1 06 06 20 07
L 8	PN 315	1/4 NPT	17	17	28	13	15.1	35	2.5	0 7 06 05 20 00	0 1 06 05 20 07
L 8	PN 315	3/8 NPT	19	17	29	14	15.2	55	3.9	0 7 06 07 20 00	0 1 06 07 20 07
L 10	PN 315	1/8 NPT	17	19	28.5	13.5	9.9	15	2.3	0 7 06 11 20 00	0 1 06 11 20 07
L 10	PN 315	1/4 NPT	17	19	29	14	15.1	35	2.5	0 7 06 10 20 00	0 1 06 10 20 07
L 10	PN 315	3/8 NPT	19	19	30	15	15.2	55	3.7	0 7 06 12 20 00	0 1 06 12 20 07
L 10	PN 315	1/2 NPT	24	19	32.5	17.5	19.8	110	7.2	0 7 06 13 20 00	0 1 06 13 20 07
L 12	PN 315	1/4 NPT	19	22	29.5	15	15.1	35	3.2	0 7 06 16 20 00	0 1 06 16 20 07
L 12	PN 315	3/8 NPT	19	22	29.5	15	15.2	55	3.6	0 7 06 15 20 00	0 1 06 15 20 07
L 12	PN 315	1/2 NPT	24	22	31	16.5	19.8	110	6.4	0 7 06 17 20 00	0 1 06 17 20 07
L 15	PN 315	3/8 NPT	24	27	31	16	15.2	55	5.2	0 7 06 21 20 00	0 1 06 21 20 07
L 15	PN 315	1/2 NPT	24	27	32.5	17.5	19.8	110	6.8	0 7 06 20 20 00	0 1 06 20 20 07
L 18	PN 315	1/2 NPT	27	32	34.5	18	19.8	110	7.2	0 7 06 25 20 00	0 1 06 25 20 07
L 18	PN 160	3/4 NPT	30	32	34.5	18	20.1	175	9.1	0 7 06 27 20 00	0 1 06 27 20 07
L 22	PN 160	1/2 NPT	32	36	36.5	20	19.8	110	9.9	0 7 06 31 20 00	0 1 06 31 20 07
L 22	PN 160	3/4 NPT	32	36	36.5	20	20.1	175	10.1	0 7 06 30 20 00	0 1 06 30 20 07
L 28	PN 160	1 NPT	41	41	39.5	23	25.0	265	17.2	0 7 06 35 20 00	0 1 06 35 20 07
L 35	PN 160	1 1/4 NPT	46	50	45	23.5	25.6	315	25.6	0 7 06 40 20 00	0 1 06 40 20 07
L 42	PN 160	1 1/2 NPT	55	60	48	25	26.0	385	35.2	0 7 06 45 20 00	0 1 06 45 20 07

* With union nut and 2S cutting ring

** Sample product code, see:
GE06L1/8NPTX

Straight male stud couplings

Thread:
NPT (ANSI/ASME B 1
- 20/01/1983)



Series Tube OD d1	Pressure	d2	SW1	SW3	l1 approx.	l2 approx.	i	Nm -10 %	kg/100 approx.	Order No. Single component	Order No. *
S 6	PN 630	1/4 NPT	17	17	31	16	15.1	35	3.3	0 7 06 50 20 00**	0 1 06 50 20 07
S 8	PN 630	1/4 NPT	17	19	33	18	15.1	35	3.8	0 7 06 55 20 00	0 1 06 55 20 07
S 10	PN 630	1/4 NPT	19	22	33.5	17.5	15.1	35	4.3	0 7 06 61 20 00	0 1 06 61 20 07
S 10	PN 630	3/8 NPT	19	22	33.5	17.5	15.2	55	4.8	0 7 06 60 20 00	0 1 06 60 20 07
S 12	PN 630	1/4 NPT	22	24	34.5	19.5	15.1	35	5.8	0 7 06 66 20 00	0 1 06 66 20 07
S 12	PN 630	3/8 NPT	22	24	35.5	19.5	15.2	55	6.2	0 7 06 65 20 00	0 1 06 65 20 07
S 12	PN 630	1/2 NPT	24	24	37	21	19.8	110	9.0	0 7 06 67 20 00	0 1 06 67 20 07
S 14	PN 630	3/8 NPT	24	27	39	21	15.2	55	7.2	0 7 06 71 20 00	0 1 06 71 20 07
S 14	PN 630	1/2 NPT	27	27	40.5	22.5	19.8	110	9.9	0 7 06 70 20 00	0 1 06 70 20 07
S 16	PN 400	3/8 NPT	27	30	39	20.5	15.2	55	8.4	0 7 06 76 20 00	0 1 06 76 20 07
S 16	PN 400	1/2 NPT	27	30	40.5	22	19.8	110	9.4	0 7 06 75 20 00	0 1 06 75 20 07
S 16	PN 400	3/4 NPT	30	30	40.5	22	20.1	175	13.5	0 7 06 77 20 00	0 1 06 77 20 07
S 20	PN 400	1/2 NPT	32	36	45.5	24	19.8	110	12.7	0 7 06 81 20 00	0 1 06 81 20 07
S 20	PN 400	3/4 NPT	32	36	45.5	24	20.1	175	14.9	0 7 06 80 20 00	0 1 06 80 20 07
S 25	PN 400	3/4 NPT	41	46	50.5	26.5	20.1	175	22.7	0 7 06 86 20 00	0 1 06 86 20 07
S 25	PN 400	1 NPT	41	46	52.5	28.5	25.0	265	28.1	0 7 06 85 20 00	0 1 06 85 20 07
S 30	PN 400	1 1/4 NPT	46	50	56	29.5	25.6	315	39.3	0 7 06 90 20 00	0 1 06 90 20 07
S 38	PN 315	1 1/2 NPT	55	60	63	32	26.0	385	57.2	0 7 06 95 20 00	0 1 06 95 20 07

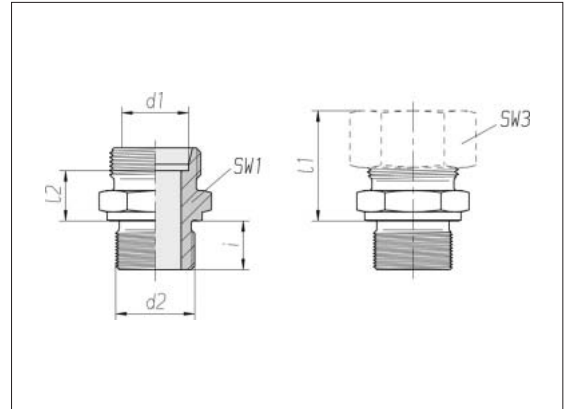
* With union nut and 2S cutting ring

** Sample product code, see:
GE06S1/4NPTX

Straight male stud couplings

Thread:
metric fine thread,
straight

Sealed with seal edge



Series	Pressure	d2	SW1	SW3	l1 approx.	l2	i	Nm -10 %	kg/100 approx.	Order No. Single component	Order No. *
Tube OD d1											
L 6	PN 100	M 8 x 1	12	14	23	8.5	8	-	1.1	0 7 09 01 20 00**	0 1 09 01 20 07
L 6	PN 315	M 10 x 1	14	14	23	8.5	8	20	1.4	0 7 09 00 20 00	0 1 09 00 20 07
L 6	PN 315	M 12 x 1.5	17	14	24.5	10	10	30	2.2	0 7 09 02 20 00	0 1 09 02 20 07
L 6	PN 315	M 14 x 1.5	19	14	25.5	11	11	50	3.2	0 7 09 03 20 00	0 1 09 03 20 07
L 8	PN 315	M 10 x 1	17	17	24.5	9.5	8	20	1.9	0 7 09 06 20 00	0 1 09 06 20 07
L 8	PN 315	M 12 x 1.5	17	17	25	10	12	30	2.2	0 7 09 05 20 00	0 1 09 05 20 07
L 8	PN 315	M 12 x 1.5	17	17	25	10	11	30	2.1	1 7 09 21 20 00	1 1 09 21 20 07
L 8	PN 315	M 14 x 1.5	19	17	25	10	12	50	2.9	0 7 09 07 20 00	0 1 09 07 20 07
L 8	PN 315	M 16 x 1.5	22	17	26.5	11.5	12	70	4.2	0 7 09 08 20 00	0 1 09 08 20 07
L 8	PN 315	M 18 x 1.5	24	17	26.5	11.5	12	90	5.2	0 7 09 09 20 00	0 1 09 09 20 07
L 10	PN 315	M 10 x 1	17	19	25.5	10.5	8	20	2.1	0 7 09 14 20 00	0 1 09 14 20 07
L 10	PN 315	M 12 x 1.5	17	19	26	11	12	30	2.5	0 7 09 11 20 00	0 1 09 11 20 07
L 10	PN 315	M 14 x 1.5	19	19	26	11	12	50	3.0	0 7 09 10 20 00	0 1 09 10 20 07
L 10	PN 315	M 16 x 1.5	22	19	27.5	12.5	12	70	4.2	0 7 09 12 20 00	0 1 09 12 20 07
L 10	PN 315	M 18 x 1.5	24	19	27.5	12.5	12	90	5.2	0 7 09 13 20 00	0 1 09 13 20 07
L 10	PN 315	M 22 x 1.5	27	19	29	14	14	140	8.1	1 7 09 14 20 00	1 1 09 14 20 07
L 12	PN 315	M 14 x 1.5	19	22	27	12.5	12	50	3.4	0 7 09 16 20 00	0 1 09 16 20 07
L 12	PN 315	M 16 x 1.5	22	22	27	12.5	12	70	4.0	0 7 09 15 20 00	0 1 09 15 20 07
L 12	PN 315	M 18 x 1.5	24	22	27	12.5	12	90	4.5	0 7 09 17 20 00	0 1 09 17 20 07
L 12	PN 315	M 22 x 1.5	27	22	28.5	14	14	140	7.8	0 7 09 18 20 00	0 1 09 18 20 07
L 15	PN 315	M 16 x 1.5	24	27	28	13	12	70	4.8	0 7 09 21 20 00	0 1 09 21 20 07
L 15	PN 315	M 18 x 1.5	24	27	28.5	13.5	12	90	5.1	0 7 09 20 20 00	0 1 09 20 20 07
L 15	PN 315	M 22 x 1.5	27	27	30	15	14	140	7.8	0 7 09 22 20 00	0 1 09 22 20 07
L 18	PN 315	M 18 x 1.5	27	32	30.5	14	12	90	6.6	0 7 09 26 20 00	0 1 09 26 20 07
L 18	PN 315	M 22 x 1.5	27	32	31	14.5	14	140	7.7	0 7 09 25 20 00	0 1 09 25 20 07
L 18	PN 160	M 26 x 1.5	32	32	30	13.5	16	190	10.8	0 7 09 27 20 00	0 1 09 27 20 07

Continuation on page 66

Sealed with sealing surface
Order No. 0709 ... in 0707...
Order No. 0109 ... in 0107...

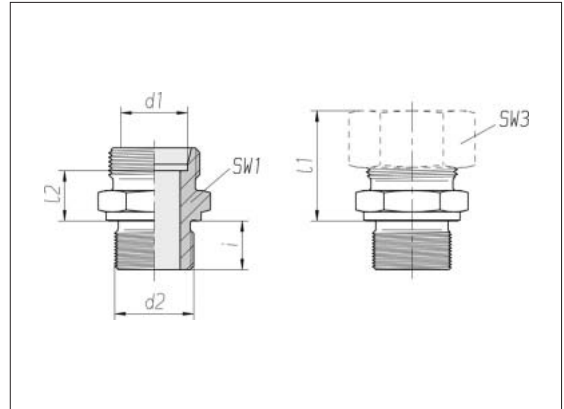
* With union nut and 2S cutting ring

** Sample product code, see:
GE06LM8x1X
ISO 8434-1-SDS-L6xM8x1, typeB-St

Straight male stud couplings

Thread:
metric fine thread,
straight

Sealed with seal edge



Series Tube OD d1	Pressure	d2	SW1	SW3	l1 approx.	l2	i	Nm -10 %	kg/100 approx.	Order No. Single component	Order No. *
L 22	PN 160	M 18 x 1.5	32	36	33	16.5	12	90	8.7	0 7 09 33 20 00	0 1 09 33 20 07
L 22	PN 160	M 22 x 1.5	32	36	33	16.5	14	140	9.3	0 7 09 31 20 00	0 1 09 31 20 07
L 22	PN 160	M 26 x 1.5	32	36	33	16.5	16	190	10.1	0 7 09 30 20 00	0 1 09 30 20 07
L 22	PN 160	M 33 x 2	41	36	34	17.5	18	300	18.5	0 7 09 32 20 00	0 1 09 32 20 07
L 28	PN 160	M 33 x 2	41	41	34	17.5	18	300	16.7	0 7 09 35 20 00	0 1 09 35 20 07
L 35	PN 160	M 42 x 2	50	50	39	17.5	20	500	27.8	0 7 09 40 20 00	0 1 09 40 20 07
L 42	PN 160	M 48 x 2	55	60	42	19	22	600	35.4	0 7 09 45 20 00	0 1 09 45 20 07

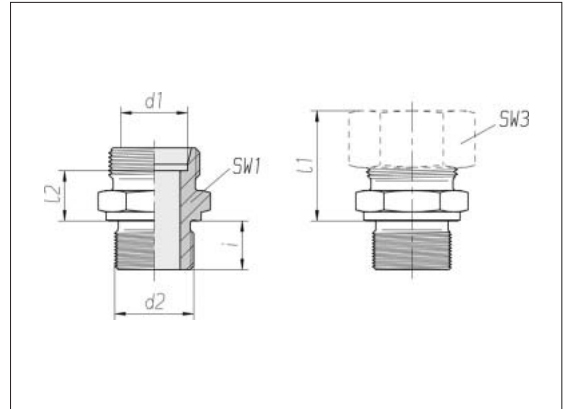
Sealed with sealing surface
Order No. 0709 ... in 0707...
Order No. 0109 ... in 0107...

* With union nut and 2S cutting ring

Straight male stud couplings

Thread:
metric fine thread,
straight

Sealed with seal edge



Series	Pressure	d2	SW1	SW3	l1 approx.	l2	i	Nm -10 %	kg/100 approx.	Order No. Single component	Order No. *
S 6	PB 630	M 12 x 1.5	17	17	28	13	12	45	3.1	0 7 09 50 20 00**	0 1 09 50 20 07
S 8	PB 630	M 12 x 1.5	17	19	30	15	12	45	3.6	0 7 09 56 20 00	0 1 09 56 20 07
S 8	PB 630	M 14 x 1.5	19	19	30	15	12	60	4.3	0 7 09 55 20 00	0 1 09 55 20 07
S 10	PB 630	M 16 x 1.5	22	22	31	15	12	80	5.4	0 7 09 60 20 00	0 1 09 60 20 07
S 12	PB 630	M 18 x 1.5	24	24	33	17	12	120	7.1	0 7 09 65 20 00	0 1 09 65 20 07
S 12	PB 400	M 22 x 1.5	27	24	33.5	17.5	14	170	10.3	0 7 09 68 20 00	0 1 09 68 20 07
S 14	PB 630	M 20 x 1.5	27	27	37	19	14	160	9.2	0 7 09 70 20 00	0 1 09 70 20 07
S 16	PB 400	M 18 x 1.5	24	30	36.5	18	12	120	7.8	0 7 09 79 20 00	0 1 09 79 20 07
S 16	PB 400	M 22 x 1.5	27	30	37	18.5	14	170	9.7	0 7 09 75 20 00	0 1 09 75 20 07
S 16	PB 400	M 27 x 2	32	30	39	20.5	16	280	15.8	0 7 09 77 20 00	0 1 09 77 20 07
S 20	PB 400	M 22 x 1.5	32	36	42.5	20.5	14	170	14.2	0 7 09 81 20 00	0 1 09 81 20 07
S 20	PB 400	M 27 x 2	32	36	42.5	20.5	16	280	15.3	0 7 09 80 20 00	0 1 09 80 20 07
S 20	PB 400	M 33 x 2	41	36	44.5	22.5	18	450	25.0	0 7 09 82 20 00	0 1 09 82 20 07
S 25	PB 400	M 27 x 2	41	46	47	23	16	280	24.1	0 7 09 86 20 00	0 1 09 86 20 07
S 25	PB 400	M 33 x 2	41	46	47	23	18	450	26.6	0 7 09 85 20 00	0 1 09 85 20 07
S 30	PB 250	M 33 x 2	46	50	50	23.5	18	450	32.5	0 7 09 91 20 00	0 1 09 91 20 07
S 30	PB 250	M 42 x 2	50	50	50	23.5	20	540	42.8	0 7 09 90 20 00	0 1 09 90 20 07
S 38	PB 250	M 48 x 2	55	60	57	26	22	700	57.3	0 7 09 95 20 00	0 1 09 95 20 07

Sealed with sealing surface
Order No. 0709 ... in 0707...
Order No. 0109 ... in 0107...

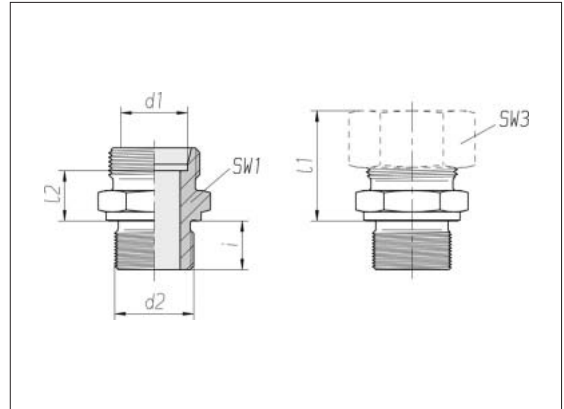
* With union nut and 2S cutting ring

** Sample product code, see:
GE06SMX
ISO 8434-1-SDS-S6xM12x1.5, typeB-St

Straight male stud couplings

Thread:
Whitworth pipe thread,
straight

Sealed with seal edge



Series Tube OD d1	Pressure	d2	SW1	SW3	l1 approx.	l2	i	Nm -10 %	kg/100 approx.	Order No. Single component	Order No. *
L 6	PN 315	G 1/8 A	14	14	23	8.5	8	20	1.4	0 7 10 00 20 00**	0 1 10 00 20 07
L 6	PN 315	G 1/4 A	19	14	23.5	9	12	50	2.4	0 7 10 02 20 00	0 1 10 02 20 07
L 6	PN 315	G 3/8 A	22	14	26	11.5	12	80	4.0	0 7 10 03 20 00	0 1 10 03 20 07
L 6	PN 315	G 1/2 A	27	14	26.5	12	14	140	7.4	0 7 10 04 20 00	0 1 10 04 20 07
L 8	PN 315	G 1/8 A	17	17	24.5	9.5	8	20	1.8	0 7 10 06 20 00	0 1 10 06 20 07
L 8	PN 315	G 1/4 A	19	17	25	10	12	50	2.7	0 7 10 05 20 00	0 1 10 05 20 07
L 8	PN 315	G 3/8 A	22	17	26.5	11.5	12	80	4.4	0 7 10 07 20 00	0 1 10 07 20 07
L 8	PN 315	G 1/2 A	27	17	27	12	14	140	7.4	0 7 10 08 20 00	0 1 10 08 20 07
L 10	PN 315	G 1/8 A	17	19	25.5	10.5	8	20	2.1	0 7 10 11 20 00	0 1 10 11 20 07
L 10	PN 315	G 1/4 A	19	19	26	11	12	50	3.0	0 7 10 10 20 00	0 1 10 10 20 07
L 10	PN 315	G 3/8 A	22	19	27.5	12.5	12	80	4.5	0 7 10 12 20 00	0 1 10 12 20 07
L 10	PN 315	G 1/2 A	27	19	28	13	14	140	7.2	0 7 10 13 20 00	0 1 10 13 20 07
L 12	PN 315	G 1/4 A	19	22	26.5	12	12	50	3.2	0 7 10 16 20 00	0 1 10 16 20 07
L 12	PN 315	G 3/8 A	22	22	27	12.5	12	80	4.2	0 7 10 15 20 00	0 1 10 15 20 07
L 12	PN 315	G 1/2 A	27	22	27.5	13	14	140	7.1	0 7 10 17 20 00	0 1 10 17 20 07
L 12	PN 315	G 3/4 A	32	22	28.5	14	16	190	9.0	0 7 10 18 20 00	0 1 10 18 20 07
L 15	PN 315	G 1/4 A	24	27	28	13	12	50	4.6	0 7 10 23 20 00	0 1 10 23 20 07
L 15	PN 315	G 3/8 A	24	27	28.5	13.5	12	80	5.2	0 7 10 21 20 00	0 1 10 21 20 07
L 15	PN 315	G 1/2 A	27	27	29	14	14	140	7.1	0 7 10 20 20 00	0 1 10 20 20 07
L 15	PN 315	G 3/4 A	32	27	30	15	16	190	11.7	0 7 10 22 20 00	0 1 10 22 20 07
L 18	PN 315	G 3/8 A	27	32	30.5	14	12	80	6.7	0 7 10 26 20 00	0 1 10 26 20 07
L 18	PN 315	G 1/2 A	27	32	31	14.5	14	140	7.0	0 7 10 25 20 00	0 1 10 25 20 07
L 18	PN 315	G 3/4 A	32	32	31	14.5	16	190	11.0	0 7 10 27 20 00	0 1 10 27 20 07

Continuation on page 69

Sealed with sealing surface
Order No. 0710 ... in 0708...
Order No. 0110 ... in 0108...

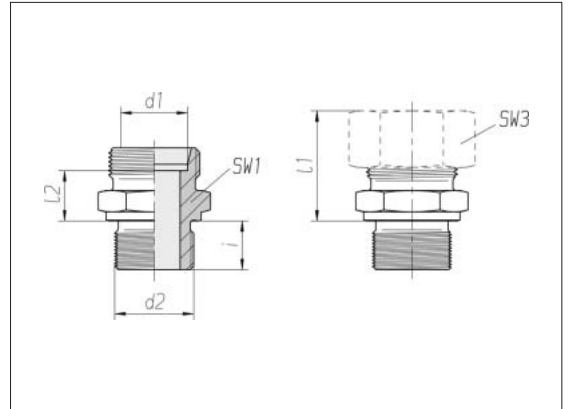
* With union nut and 2S cutting ring

** Sample product code, see:
GE06LRX
ISO 8434-1-SDS-L6xG1/8A, typeB-St

Straight male stud couplings

Thread:
Whitworth pipe thread,
straight

Sealed with seal edge



3

Series	Pressure	d2		SW1	SW3	l1	l2	i	Nm	kg/100	Order No.	Order No.
Tube OD						approx.			-10 %	approx.	Single component	*
d1												
L 18	PN 160	G 1	A	41	32	32	15.5	18	330	20.3	0 7 10 28 20 00**	0 1 10 28 20 07
L 22	PN 160	G 1/2	A	32	36	33	16.5	14	140	8.8	0 7 10 31 20 00	0 1 10 31 20 07
L 22	PN 160	G 3/4	A	32	36	33	16.5	16	190	10.3	0 7 10 30 20 00	0 1 10 30 20 07
L 22	PN 160	G 1	A	41	36	34	17.5	18	330	18.5	0 7 10 32 20 00	0 1 10 32 20 07
L 28	PN 160	G 3/4	A	41	41	34	17.5	16	190	14.3	0 7 10 36 20 00	0 1 10 36 20 07
L 28	PN 160	G 1	A	41	41	34	17.5	18	330	16.9	0 7 10 35 20 00	0 1 10 35 20 07
L 28	PN 160	G 1 1/4	A	50	41	35	18.5	20	540	25.8	0 7 10 37 20 00	0 1 10 37 20 07
L 35	PN 160	G 1	A	50	50	39	17.5	18	330	24.1	0 7 10 41 20 00	0 1 10 41 20 07
L 35	PN 160	G 1 1/4	A	50	50	39	17.5	20	540	27.4	0 7 10 40 20 00	0 1 10 40 20 07
L 42	PN 160	G 1 1/4	A	55	60	42	19	20	540	33.1	0 7 10 46 20 00	0 1 10 46 20 07
L 42	PN 160	G 1 1/2	A	55	60	42	19	22	630	34.9	0 7 10 45 20 00	0 1 10 45 20 07

Sealed with sealing surface
Order No. 0710 ... in 0708...
Order No. 0110 ... in 0108...

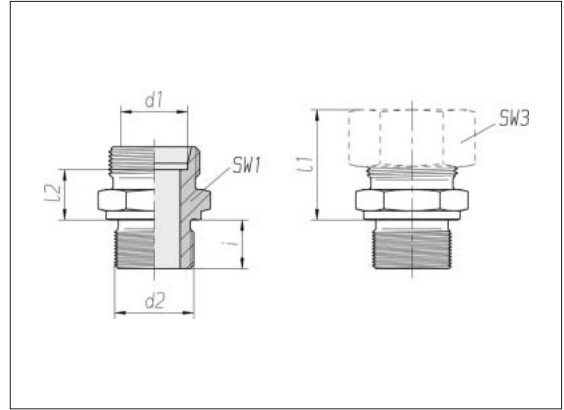
* With union nut and 2S cutting ring

** Sample product code, see:
GE18LR1X
ISO 8434-1-SDS-L18xG1A, typeB-St

Straight male stud couplings

Thread:
Whitworth pipe thread,
straight

Sealed with seal edge



Series	Pressure	d2		SW1	SW3	l1	l2	i	Nm	kg/100	Order No.	Order No.
Tube OD						approx.			-10 %	approx.	Single component	*
d1												
S 6	PB 630	G 1/4 A		19	17	28	13	12	60	3.5	0 7 10 50 20 00**	0 1 10 50 20 07
S 6	PB 630	G 3/8 A		22	17	30.5	15.5	12	100	5.3	0 7 10 52 20 00	0 1 10 52 20 07
S 6	PB 630	G 1/2 A		27	17	29	14	14	160	6.7	0 7 10 53 20 00	0 1 10 53 20 07
S 8	PB 630	G 1/4 A		19	19	30	15	12	60	4.1	0 7 10 55 20 00	0 1 10 55 20 07
S 8	PB 630	G 3/8 A		22	19	30.5	15.5	12	100	5.5	0 7 10 57 20 00	0 1 10 57 20 07
S 8	PB 630	G 1/2 A		27	19	33	18	14	160	8.9	0 7 10 58 20 00	0 1 10 58 20 07
S 10	PB 630	G 1/4 A		19	22	30.5	14.5	12	60	4.2	0 7 10 61 20 00	0 1 10 61 20 07
S 10	PB 630	G 3/8 A		22	22	31	15	12	100	5.6	0 7 10 60 20 00	0 1 10 60 20 07
S 10	PB 630	G 1/2 A		27	22	29.5	13.5	14	160	7.8	0 7 10 62 20 00	0 1 10 62 20 07
S 12	PB 630	G 1/4 A		22	24	32.5	16.5	12	60	5.7	0 7 10 66 20 00	0 1 10 66 20 07
S 12	PB 630	G 3/8 A		22	24	33	17	12	100	6.2	0 7 10 65 20 00	0 1 10 65 20 07
S 12	PB 630	G 1/2 A		27	24	34	17.5	14	160	9.7	0 7 10 67 20 00	0 1 10 67 20 07
S 12	PB 400	G 3/4 A		32	24	36	19.5	16	280	14.9	0 7 10 68 20 00	0 1 10 68 20 07
S 14	PB 630	G 3/8 A		24	27	37	19	12	100	7.5	0 7 10 71 20 00	0 1 10 71 20 07
S 14	PB 630	G 1/2 A		27	27	37	19	14	160	9.8	0 7 10 70 20 00	0 1 10 70 20 07
S 14	PB 400	G 3/4 A		32	27	39	21	16	280	16.4	0 7 10 72 20 00	0 1 10 72 20 07
S 16	PB 400	G 3/8 A		27	30	36.5	18	12	100	8.4	0 7 10 76 20 00	0 1 10 76 20 07
S 16	PB 400	G 1/2 A		27	30	37	18.5	14	160	9.1	0 7 10 75 20 00	0 1 10 75 20 07
S 16	PB 400	G 3/4 A		32	30	39	20.5	16	280	15.5	0 7 10 77 20 00	0 1 10 77 20 07
S 20	PB 400	G 1/2 A		32	36	42	20.5	14	160	13.3	0 7 10 81 20 00	0 1 10 81 20 07
S 20	PB 400	G 3/4 A		32	36	42	20.5	16	280	15.1	0 7 10 80 20 00	0 1 10 80 20 07
S 20	PB 400	G 1 A		41	36	44	22.5	18	440	27.5	0 7 10 82 20 00	0 1 10 82 20 07
S 25	PB 400	G 3/4 A		41	46	47	23	16	280	24.1	0 7 10 86 20 00	0 1 10 86 20 07
S 25	PB 400	G 1 A		41	46	47	23	18	440	26.6	0 7 10 85 20 00	0 1 10 85 20 07

Continuation on page 71

Sealed with sealing surface
Order No. 0710 ... in 0708...
Order No. 0110 ... in 0108...

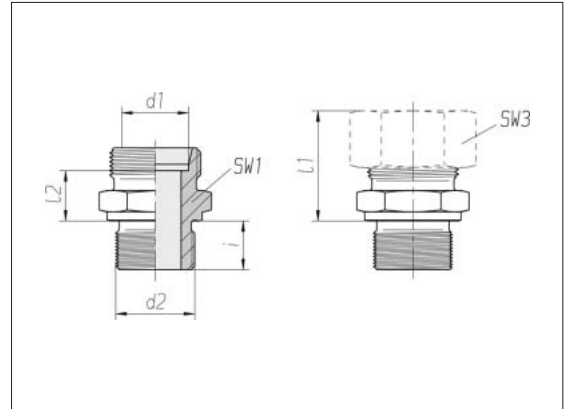
* With union nut and 2S cutting ring

** Sample product code, see:
GE06SRX
ISO 8434-1-SDS-S6xG1/4A, typeB-St

Straight male stud couplings

Thread:
Whitworth pipe thread,
straight

Sealed with seal edge

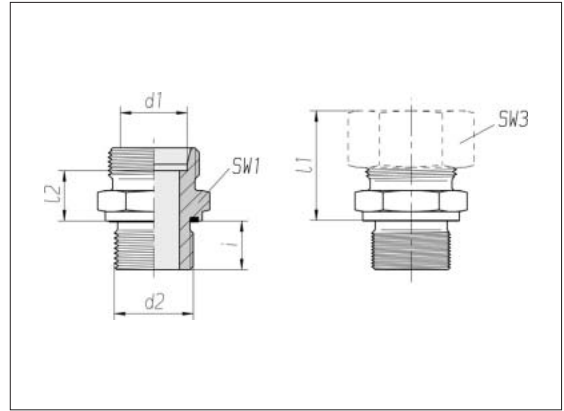


Series	Pressure	d2	SW1	SW3	l1	l2	i	Nm	kg/100	Order No.	Order No.
Tube OD					approx.			-10 %	approx.	Single component	*
d1											
S 25	PB 250	G 1 1/4 A	50	46	47	23	20	580	44.0	0 7 10 87 20 00	0 1 10 87 20 07
S 30	PB 250	G 3/4 A	46	50	50	23.5	16	280	29.9	0 7 10 93 20 00	0 1 10 93 20 07
S 30	PB 250	G 1 A	46	50	50	23.5	18	440	32.8	0 7 10 91 20 00	0 1 10 91 20 07
S 30	PB 250	G 1 1/4 A	50	50	50	23.5	20	580	41.7	0 7 10 90 20 00	0 1 10 90 20 07
S 38	PB 250	G 1 A	55	60	57	26	18	440	49.2	0 7 10 98 20 00	0 1 10 98 20 07
S 38	PB 250	G 1 1/4 A	55	60	57	26	20	580	55.0	0 7 10 96 20 00	0 1 10 96 20 07
S 38	PB 250	G 1 1/2 A	55	60	57	26	22	700	56.6	0 7 10 95 20 00	0 1 10 95 20 07

Straight male stud couplings

Thread:
metric fine thread,
straight

Sealed with PEFLEX seal



Series Tube OD d1	Pressure	d2	SW1	SW3	l1* approx.	l2	i	Nm -10 %	kg/100 approx.	Order No. Single component	Order No. **
L 6	PN 500	M 10 x 1	14	14	23	8.5	8	15	1.4	0 7 84 39 20 00***	0 1 84 39 20 XX
L 6	PN 500	M 12 x 1.5	17	14	24.5	10	12	25	2.3	1 7 84 61 20 00	1 1 84 61 20 XX
L 8	PN 500	M 10 x 1	14	17	24.5	9.5	8	15	1.6	1 7 84 44 20 00	1 1 84 44 20 XX
L 8	PN 500	M 12 x 1.5	17	17	25	10	12	25	2.1	0 7 84 40 20 00	0 1 84 40 20 XX
L 8	PN 500	M 14 x 1.5	19	17	25	10	12	50	2.8	0 7 84 11 20 00	0 1 84 11 20 XX
L 8	PN 400	M 16 x 1.5	22	17	26.5	11.5	12	70	4.1	1 7 84 86 20 00	1 1 84 86 20 XX
L 10	PN 500	M 12 x 1.5	17	19	26	11	12	25	2.4	1 7 84 62 20 00	1 1 84 62 20 XX
L 10	PN 500	M 14 x 1.5	19	19	26	11	12	50	2.9	0 7 84 41 20 00	0 1 84 41 20 XX
L 10	PN 400	M 16 x 1.5	22	19	27.5	12.5	12	70	4.2	1 7 84 60 20 00	1 1 84 60 20 XX
L 10	PN 400	M 18 x 1.5	24	19	27.5	12.5	12	90	4.9	0 7 84 04 20 00	0 1 84 04 20 XX
L 10	PN 400	M 22 x 1.5	27	19	29	14	14	130	8.0	1 7 84 87 20 00	1 1 84 87 20 XX
L 12	PN 400	M 10 x 1	19	22	26.5	12	8	15	2.7	1 7 84 89 20 00	1 1 84 89 20 XX
L 12	PN 400	M 12 x 1.5	19	22	27	12.5	12	25	3.0	1 7 84 85 20 00	1 1 84 85 20 XX
L 12	PN 400	M 14 x 1.5	19	22	25.5	11	12	50	2.9	1 7 84 40 20 00	1 1 84 40 20 XX
L 12	PN 400	M 16 x 1.5	22	22	27	12.5	12	70	3.9	0 7 84 42 20 00	0 1 84 42 20 XX
L 12	PN 400	M 18 x 1.5	24	22	27	12.5	12	90	4.4	1 7 84 48 20 00	1 1 84 48 20 XX
L 12	PN 400	M 22 x 1.5	27	22	28.5	14	14	130	6.4	1 7 84 49 20 00	1 1 84 49 20 XX
L 15	PN 400	M 16 x 1.5	24	27	28	13	12	70	4.8	1 7 84 56 20 00	1 1 84 56 20 XX
L 15	PN 400	M 18 x 1.5	24	27	28.5	13.5	12	90	5.1	0 7 84 43 20 00	0 1 84 43 20 XX
L 15	PN 400	M 22 x 1.5	27	27	30	15	14	130	7.1	1 7 84 50 20 00	1 1 84 50 20 XX
L 15	PN 250	M 26 x 1.5	32	27	30	15	16	180	11.3	1 7 84 54 20 00	1 1 84 54 20 XX

Continuation on page 73

Special pressure stages apply in combination with the 2S cutting ring (refer to Page 48)

Supplementary to Order No. for complete fitting tube connection		Supplementary to Order No.
2S		07
ES-4		09
BV-10		Refer to the front page

* Apply to complete fittings with 2S or ES-4 tube connection components.
For BV-10 Refer to the front page.

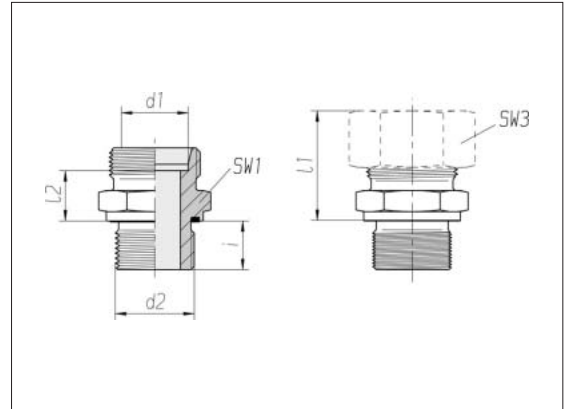
** With union nut and 2S, ES-4 or BV-10 tube connection components

*** Sample product code, see: GE06LMEDOMD
ISO 8434-1-SDS-L6xM10x1, typeE-St

Straight male stud couplings

Thread:
metric fine thread,
straight

Sealed with PEFLEX seal



3

Series Tube OD d1	Pressure	d2	SW1	SW3	l1* approx.	l2	i	Nm -10 %	kg/100 approx.	Order No. Single component	Order No. **
L 18	PN 400	M 18 x 1.5	27	32	30.5	14	12	90	6.5	1 7 84 45 20 00	1 1 84 45 20 XX
L 18	PN 400	M 22 x 1.5	27	32	31	14.5	14	130	7.4	0 7 84 44 20 00	0 1 84 44 20 XX
L 18	PN 250	M 26 x 1.5	32	32	31	14.5	16	180	9.4	1 7 84 47 20 00	1 1 84 47 20 XX
L 22	PN 250	M 22 x 1.5	32	36	33	16.5	14	130	9.0	1 7 84 46 20 00	1 1 84 46 20 XX
L 22	PN 250	M 26 x 1.5	32	36	33	16.5	16	180	10.1	0 7 84 45 20 00	0 1 84 45 20 XX
L 22	PN 250	M 33 x 2	41	36	34	17.5	18	230	18.6	1 7 84 73 20 00	1 1 84 73 20 XX
L 28	PN 250	M 26 x 1.5	41	41	36	19.5	16	180	16.2	1 7 84 59 20 00	1 1 84 59 20 XX
L 28	PN 250	M 33 x 2	41	41	34	17.5	18	230	16.4	0 7 84 46 20 00	0 1 84 46 20 XX
L 28	PN 250	M 42 x 2	50	41	36	19.5	20	330	32.2	1 7 84 51 20 00	1 1 84 51 20 XX
L 35	PN 250	M 33 x 2	46	50	39	17.5	18	230	21.7	1 7 84 39 20 00	1 1 84 39 20 XX
L 35	PN 250	M 42 x 2	50	50	39	17.5	20	330	27.3	0 7 84 47 20 00	0 1 84 47 20 XX
L 42	PN 250	M 42 x 2	55	60	42	19	20	330	33.6	1 7 84 78 20 00	1 1 84 78 20 XX
L 42	PN 250	M 48 x 2	55	60	42	19	22	500	34.6	0 7 84 48 20 00	0 1 84 48 20 XX

Special pressure stages apply in combination with the 2S cutting ring (refer to Page 48)

Supplementary to Order No. for complete fitting tube connection	Supplementary to Order No.
2S	07
ES-4	09
BV-10	Refer to the front page

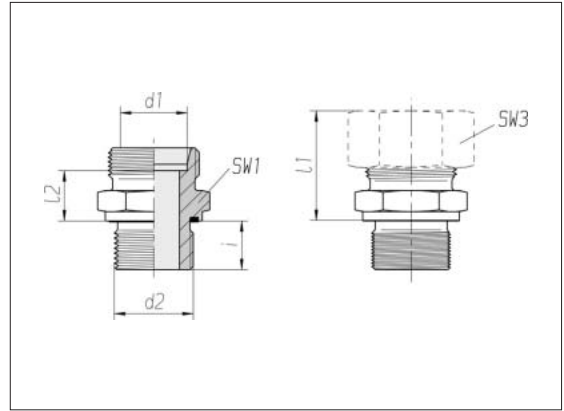
* Apply to complete fittings with 2S or ES-4 tube connection components.
For BV-10 Refer to the front page.

** With union nut and 2S, ES-4 or BV-10 tube connection components

Straight male stud couplings

Thread:
metric fine thread,
straight

Sealed with PEFLEX seal



Series Tube OD d1	Pressure	d2	SW1	SW3	l1* approx.	l2	i	Nm -10 %	kg/100 approx.	Order No. Single component	Order No. **
S 6	PN 800	M 12 x 1.5	17	17	28	13	12	50	2.9	0 7 84 49 20 00***	0 1 84 49 20 XX
S 8	PN 800	M 14 x 1.5	19	19	30	15	12	60	4.1	0 7 84 50 20 00	0 1 84 50 20 XX
S 10	PN 800	M 16 x 1.5	22	22	31	15	12	80	5.3	0 7 84 51 20 00	0 1 84 51 20 XX
S 12	PN 630	M 18 x 1.5	24	24	33	17	12	90	7.1	0 7 84 52 20 00	0 1 84 52 20 XX
S 12	PN 630	M 22 x 1.5	27	24	33.5	17.5	14	130	10.2	1 7 84 83 20 00	1 1 84 83 20 XX
S 14	PN 630	M 20 x 1.5	27	27	37	19	14	130	9.4	0 7 84 53 20 00	0 1 84 53 20 XX
S 16	PN 630	M 18 x 1.5	27	30	36.5	18	12	90	8.1	0 7 84 06 20 00	0 1 84 06 20 XX
S 16	PN 630	M 22 x 1.5	27	30	37	18.5	14	130	9.6	0 7 84 54 20 00	0 1 84 54 20 XX
S 16	PN 420	M 27 x 2	32	30	39	20.5	16	200	15.7	1 7 84 68 20 00	1 1 84 68 20 XX
S 20	PN 420	M 22 x 1.5	32	36	42.5	20.5	14	130	13.9	0 7 84 02 20 00	0 1 84 02 20 XX
S 20	PN 420	M 27 x 2	32	36	42.5	20.5	16	200	15.1	0 7 84 55 20 00	0 1 84 55 20 XX
S 25	PN 420	M 27 x 2	41	46	47	23	16	200	23.7	1 7 84 79 20 00	1 1 84 79 20 XX
S 25	PN 420	M 33 x 2	41	46	47	23	18	250	26.5	0 7 84 56 20 00	0 1 84 56 20 XX
S 30	PN 420	M 42 x 2	50	50	50	23.5	20	500	41.7	0 7 84 57 20 00	0 1 84 57 20 XX
S 38	PN 420	M 48 x 2	55	60	57	26	22	600	56.4	0 7 84 58 20 00	0 1 84 58 20 XX

Special pressure stages apply in combination with the 2S cutting ring (refer to Page 48)

Supplementary to Order No. for complete fitting tube connection	Supplementary to Order No.
2S	07
ES-4	09
BV-10	Refer to the front page

* Apply to complete fittings with 2S or ES-4 tube connection components.
For BV-10 Refer to the front page.

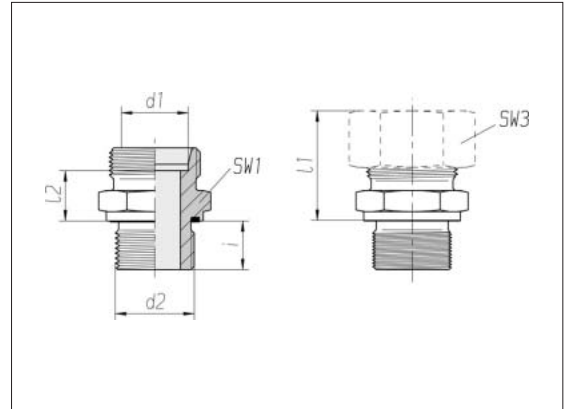
** With union nut and 2S, ES-4 or BV-10 tube connection components

*** Sample product code, see:
GE06SMEDOMD
ISO 8434-1-SDS-S6xM12x1.5, typeE-St

Straight male stud couplings

Thread:
Whitworth pipe thread,
straight

Sealed with PEFLEX seal



Series	Pressure	d2		SW1	SW3	l1*	l2	i	Nm	kg/100	Order No.	Order No.
Tube OD						approx.			-10 %	approx.	Single component	**
d1												
L 6	PN 500	G 1/8 A		14	14	23	8.5	8	20	1.3	0 7 84 19 20 00***	0 1 84 19 20 XX
L 6	PN 500	G 1/4 A		19	14	24.5	10	12	50	2.7	1 7 84 08 20 00	1 1 84 08 20 XX
L 6	PN 400	G 3/8 A		22	14	26	11.5	12	80	3.8	1 7 84 94 20 00	1 1 84 94 20 XX
L 8	PN 500	G 1/8 A		14	17	24.5	9.5	8	20	1.5	1 7 84 22 20 00	1 1 84 22 20 XX
L 8	PN 500	G 1/4 A		19	17	25	10	12	50	2.7	0 7 84 20 20 00	0 1 84 20 20 XX
L 8	PN 400	G 3/8 A		22	17	26.5	11.5	12	80	4.4	1 7 84 23 20 00	1 1 84 23 20 XX
L 8	PN 400	G 1/2 A		27	17	27	12	14	100	7.2	1 7 84 91 20 00	1 1 84 91 20 XX
L 10	PN 500	G 1/8 A		17	19	25.5	10.5	8	20	2.0	1 7 84 93 20 00	1 1 84 93 20 XX
L 10	PN 500	G 1/4 A		19	19	26	11	12	50	2.9	0 7 84 21 20 00	0 1 84 21 20 XX
L 10	PN 400	G 3/8 A		22	19	27.5	12.5	12	80	4.2	1 7 84 17 20 00	1 1 84 17 20 XX
L 10	PN 400	G 1/2 A		27	19	28	13	14	100	6.3	1 7 84 18 20 00	1 1 84 18 20 XX
L 12	PN 400	G 1/4 A		19	22	27	12.5	12	50	3.2	0 7 84 10 20 00	0 1 84 10 20 XX
L 12	PN 400	G 3/8 A		22	22	27	12.5	12	80	4.2	0 7 84 22 20 00	0 1 84 22 20 XX
L 12	PN 400	G 1/2 A		27	22	27.5	13	14	100	6.7	0 7 84 12 20 00	0 1 84 12 20 XX
L 12	PN 250	G 3/4 A		32	22	28.5	14	16	180	11.7	1 7 84 21 20 00	1 1 84 21 20 XX
L 15	PN 400	G 3/8 A		24	27	28.5	13.5	12	80	5.1	1 7 84 07 20 00	1 1 84 07 20 XX
L 15	PN 400	G 1/2 A		27	27	29	14	14	100	7.1	0 7 84 23 20 00	0 1 84 23 20 XX
L 15	PN 250	G 3/4 A		32	27	30	15	16	180	11.7	1 7 84 19 20 00	1 1 84 19 20 XX
L 18	PN 400	G 3/8 A		27	32	30.5	14	12	80	6.6	1 7 84 92 20 00	1 1 84 92 20 XX
L 18	PN 400	G 1/2 A		27	32	31	14.5	14	100	7.0	0 7 84 24 20 00	0 1 84 24 20 XX
L 18	PN 315	G 3/4 A		32	32	31	14.5	16	180	10.9	1 7 84 28 20 00	1 1 84 28 20 XX

Continuation on page 76

Special pressure stages apply in combination with the 2S cutting ring (refer to Page 48)

Supplementary to Order No. for complete fitting tube connection	Supplementary to Order No.
2S	07
ES-4	09
BV-10	Refer to the front page

* Apply to complete fittings with 2S or ES-4 tube connection components.
For BV-10 Refer to the front page.

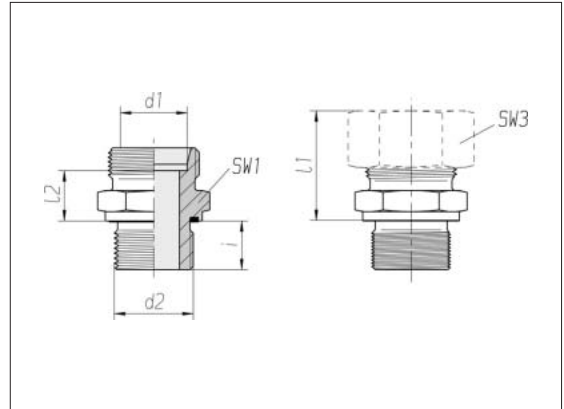
** With union nut and 2S, ES-4 or BV-10 tube connection components

*** Sample product code, see: GE06LREDOMD
ISO 8434-1-SDS-L6xG1/8A, typeE-2T

Straight male stud couplings

Thread:
Whitworth pipe thread,
straight

Sealed with PEFLEX seal



Series Tube OD d1	Pressure	d2		SW1	SW3	l1* approx.	l2	i	Nm -10 %	kg/100 approx.	Order No. Single component	Order No. **
L 22	PN 250	G 1/2 A		32	36	33	16.5	14	100	8.7	1 7 84 16 20 00	1 1 84 16 20 XX
L 22	PN 250	G 3/4 A		32	36	33	16.5	16	180	10.2	0 7 84 25 20 00	0 1 84 25 20 XX
L 22	PN 250	G 1 A		41	36	34	17.5	18	230	18.4	1 7 84 71 20 00	1 1 84 71 20 XX
L 28	PN 250	G 3/4 A		41	41	34	17.5	16	180	14.6	1 7 84 12 20 00	1 1 84 12 20 XX
L 28	PN 250	G 1 A		41	41	34	17.5	18	230	16.5	0 7 84 26 20 00	0 1 84 26 20 XX
L 28	PN 250	G 1 1/4 A		50	41	35	18.5	20	330	25.2	1 7 84 90 20 00	1 1 84 90 20 XX
L 35	PN 250	G 1 A		50	50	39	17.5	18	230	23.8	1 7 84 36 20 00	1 1 84 36 20 XX
L 35	PN 250	G 1 1/4 A		50	50	39	17.5	20	330	27.1	0 7 84 27 20 00	0 1 84 27 20 XX
L 42	PN 250	G 1 1/2 A		55	60	42	19	22	500	34.3	0 7 84 28 20 00	0 1 84 28 20 XX

Special pressure stages apply in combination with the 2S cutting ring (refer to Page 48)

Supplementary to Order No. for complete fitting	
tube connection	Supplementary to Order No.
2S	07
ES-4	09
BV-10	Refer to the front page

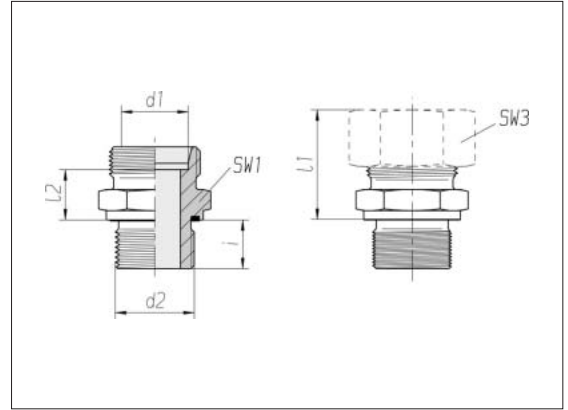
* Apply to complete fittings with 2S or ES-4 tube connection components.
For BV-10 Refer to the front page.

** With union nut and 2S, ES-4 or BV-10 tube connection components

Straight male stud couplings

Thread:
Whitworth pipe thread,
straight

Sealed with PEFLEX seal



Series	Pressure	d2	SW1	SW3	l1*	l2	i	Nm -10 %	kg/100 approx.	Order No. Single component	Order No. **
Tube OD d1					approx.						
S 6	PN 800	G 1/4 A	19	17	28	13	12	60	3.5	0 7 84 29 20 00***	0 1 84 29 20 XX
S 6	PN 630	G 1/2 A	27	17	33	18	14	150	8.6	1 7 84 25 20 00	1 1 84 25 20 XX
S 8	PN 800	G 1/4 A	19	19	30	15	12	60	4.1	0 7 84 30 20 00	0 1 84 30 20 XX
S 8	PN 800	G 3/8 A	22	19	30.5	15.5	12	90	5.7	1 7 84 13 20 00	1 1 84 13 20 XX
S 10	PN 800	G 1/4 A	19	22	30.5	14.5	12	60	4.2	0 7 84 15 20 00	0 1 84 15 20 XX
S 10	PN 800	G 3/8 A	22	22	31	15	12	90	5.5	0 7 84 31 20 00	0 1 84 31 20 XX
S 10	PN 630	G 1/2 A	27	22	33.5	17.5	14	150	8.9	1 7 84 24 20 00	1 1 84 24 20 XX
S 12	PN 630	G 1/4 A	22	24	32.5	16.5	12	60	5.6	1 7 84 14 20 00	1 1 84 14 20 XX
S 12	PN 630	G 3/8 A	22	24	33	17	12	90	6.2	0 7 84 32 20 00	0 1 84 32 20 XX
S 12	PN 630	G 1/2 A	27	24	33.5	17.5	14	150	9.1	0 7 84 17 20 00	0 1 84 17 20 XX
S 12	PN 420	G 3/4 A	32	24	35.5	19.5	16	200	13.4	1 7 84 15 20 00	1 1 84 15 20 XX
S 14	PN 630	G 1/2 A	27	27	37	19	14	150	9.6	0 7 84 33 20 00	0 1 84 33 20 XX
S 16	PN 630	G 3/8 A	27	30	36.5	18	12	90	8.1	1 7 84 09 20 00	1 1 84 09 20 XX
S 16	PN 630	G 1/2 A	27	30	37	18.5	14	150	9.2	0 7 84 34 20 00	0 1 84 34 20 XX
S 16	PN 420	G 3/4 A	32	30	39	20.5	16	200	13.8	1 7 84 26 20 00	1 1 84 26 20 XX
S 16	PN 420	G 1 A	41	30	41	22.5	18	250	23.7	1 7 84 72 20 00	1 1 84 72 20 XX
S 20	PN 420	G 1/2 A	32	36	42	20.5	14	150	13.5	1 7 84 06 20 00	1 1 84 06 20 XX
S 20	PN 420	G 3/4 A	32	36	42	20.5	16	200	14.9	0 7 84 35 20 00	0 1 84 35 20 XX
S 20	PN 420	G 1 A	41	36	44	22.5	18	250	25.0	1 7 84 38 20 00	1 1 84 38 20 XX

Continuation on page 78

Special pressure stages apply in combination with the 2S cutting ring (refer to Page 48)

Supplementary to Order No. for complete fitting tube connection	Supplementary to Order No.
2S	07
ES-4	09
BV-10	Refer to the front page

* Apply to complete fittings with 2S or ES-4 tube connection components.
For BV-10 Refer to the front page.

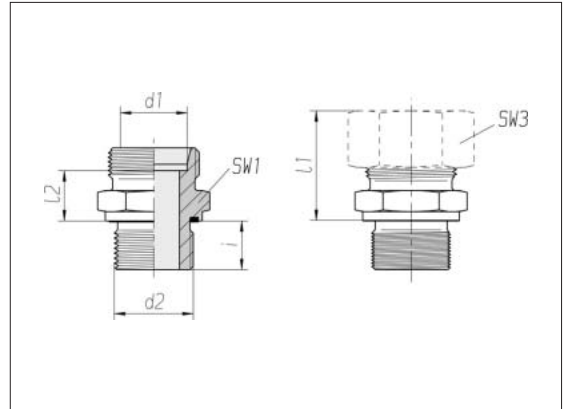
** With union nut and 2S, ES-4 or BV-10 tube connection components

*** Sample product code, see: GE06SREDOMD ISO 8434-1-SDS-S6xG1/4A, typeE-St

Straight male stud couplings

Thread:
Whitworth pipe thread,
straight

Sealed with PEFLEX seal



Series	Pressure	d2		SW1	SW3	l1*	l2	i	Nm	kg/100	Order No.	Order No.
Tube OD						approx.			-10 %	approx.	Single component	**
d1												
S 25	PN 420	G 3/4 A		41	46	47	23	16	200	23.7	0 7 84 03 20 00	0 1 84 03 20 XX
S 25	PN 420	G 1 A		41	46	47	23	18	250	26.3	0 7 84 36 20 00	0 1 84 36 20 XX
S 30	PN 420	G 1 A		46	50	50	23.5	18	250	33.0	1 7 84 11 20 00	1 1 84 11 20 XX
S 30	PN 420	G 1 1/4 A		50	50	50	23.5	20	500	41.9	0 7 84 37 20 00	0 1 84 37 20 XX
S 38	PN 420	G 1 1/4 A		55	60	57	26	20	500	55.5	1 7 85 21 20 00	1 1 85 21 20 XX
S 38	PN 420	G 1 1/2 A		55	60	57	26	22	600	55.9	0 7 84 38 20 00	0 1 84 38 20 XX

Special pressure stages apply in combination with the 2S cutting ring (refer to Page 48)

Supplementary to Order No. for complete fitting	
tube connection	Supplementary to Order No.
2S	07
ES-4	09
BV-10	Refer to the front page

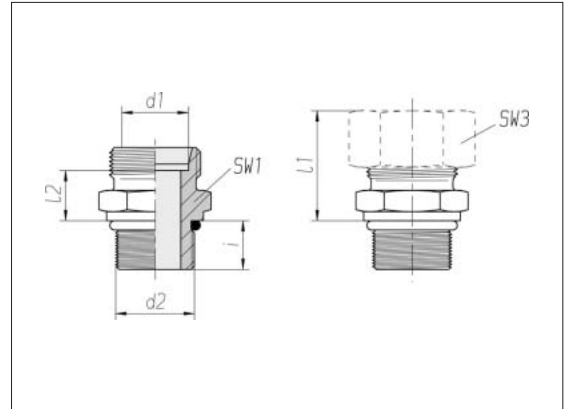
* Apply to complete fittings with 2S or ES-4 tube connection components.
For BV-10 Refer to the front page.

** With union nut and 2S, ES-4 or BV-10 tube connection components

Straight male stud couplings

Thread:
UN/UNF
ISO 11926-2/3
SAE J 514

Sealed with O-ring



Series	Pressure	d2	SW1	SW3	l1*	l2	i	Nm	kg/100	Order No.	Order No.
Tube OD					approx.			-10 %	approx.	Single component	**
d1											
L 6	PN 315	7/16-20 UNF-2A	17	14	23.5	9	9.2	18	1.9	0 7 82 40 20 00***	0 1 82 40 20 XX
L 8	PN 315	7/16-20 UNF-2A	17	17	25	10	9.2	18	2.1	0 7 82 41 20 00	0 1 82 41 20 XX
L 8	PN 315	1/ 2-20 UNF-2A	17	17	25	10	9.2	28	2.2	0 7 82 42 20 00	0 1 82 42 20 XX
L 8	PN 315	9/16-18 UNF-2A	19	17	25	10	10	30	2.8	0 7 82 43 20 00	0 1 82 43 20 XX
L 10	PN 315	7/16-20 UNF-2A	17	19	27	12	9.2	18	2.4	0 7 82 96 20 00	0 1 82 96 20 XX
L 10	PN 315	9/16-18 UNF-2A	19	19	26	11	10	30	2.8	0 7 82 44 20 00	0 1 82 44 20 XX
L 12	PN 315	9/16-18 UNF-2A	19	22	27	12.5	10	30	3.2	0 7 82 46 20 00	0 1 82 46 20 XX
L 12	PN 315	3/ 4-16 UNF-2A	24	22	27	12.5	11.2	50	4.5	0 7 82 48 20 00	0 1 82 48 20 XX
L 12	PN 315	7/ 8-14 UNF-2A	27	22	27.5	13	12.7	60	7.0	0 7 82 50 20 00	0 1 82 50 20 XX
L 15	PN 315	9/16-18 UNF-2A	24	27	29	14	10	30	4.8	0 7 82 51 20 00	0 1 82 51 20 XX
L 15	PN 315	3/ 4-16 UNF-2A	24	27	29	14	11.2	50	5.4	0 7 82 52 20 00	0 1 82 52 20 XX
L 15	PN 315	7/ 8-14 UNF-2A	27	27	29	14	12.7	60	7.5	0 7 82 53 20 00	0 1 82 53 20 XX
L 18	PN 315	3/ 4-16 UNF-2A	27	32	31	14.5	11.2	50	6.6	0 7 82 54 20 00	0 1 82 54 20 XX
L 18	PN 315	7/ 8-14 UNF-2A	27	32	31	14.5	12.7	60	7.4	0 7 82 55 20 00	0 1 82 55 20 XX
L 18	PN 315	1 1/16-12 UN -2A	32	32	31	14.5	15	95	9.6	0 7 82 90 20 00	0 1 82 90 20 XX
L 22	PN 160	7/ 8-14 UNF-2A	32	36	33	16.5	12.7	60	9.8	0 7 82 56 20 00	0 1 82 56 20 XX
L 22	PN 160	1 1/16-12 UN -2A	32	36	33	16.5	15	95	10.2	0 7 82 57 20 00	0 1 82 57 20 XX
L 22	PN 160	1 5/16-12 UN -2A	41	36	33	16.5	15	150	17.3	0 7 82 58 20 00	0 1 82 58 20 XX

Continuation on page 80

Supplementary to Order No. for complete fitting tube connection	Supplementary to Order No.
2S	07
ES-4	09
BV-10	Refer to the front page

* Apply to complete fittings with 2S or ES-4 tube connection components.
For BV-10 Refer to the front page.

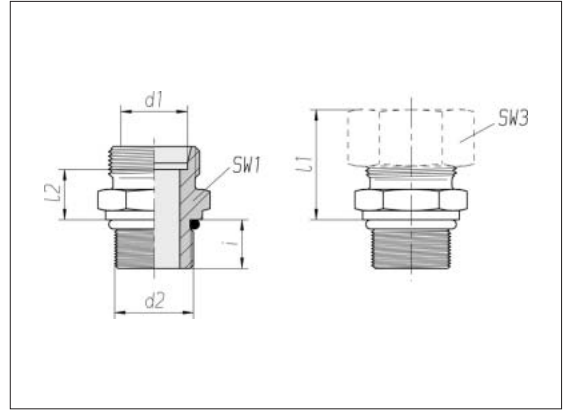
** With union nut and 2S, ES-4 or BV-10 tube connection components

*** Sample product code, see: GE06L7/16UNFOMD

Straight male stud couplings

Thread:
UN/UNF
ISO 11926-2/3
SAE J 514

Sealed with O-ring



Series Tube OD d1	Pressure	d2	SW1	SW3	l1* approx.	l2	i	Nm -10 %	kg/100 approx.	Order No. Single component	Order No. **
L 28	PN 160	7/ 8-14 UNF-2A	41	41	34	17.5	12.7	60	13.7	0 7 82 87 20 00	0 1 82 87 20 XX
L 28	PN 160	1 1/16-12 UN -2A	41	41	34	17.5	15	95	14.3	0 7 82 59 20 00	0 1 82 59 20 XX
L 28	PN 160	1 5/16-12 UN -2A	41	41	34	17.5	15	150	16.2	0 7 82 60 20 00	0 1 82 60 20 XX
L 28	PN 160	1 5/ 8-12 UN -2A	50	41	34	17.5	15	200	26.4	0 7 82 92 20 00	0 1 82 92 20 XX
L 35	PN 160	1 3/16-12 UN -2A	46	50	39	17.5	15	120	20.3	0 7 82 91 20 00	0 1 82 91 20 XX
L 35	PN 160	1 5/16-12 UN -2A	46	50	39	17.5	15	150	21.1	0 7 82 61 20 00	0 1 82 61 20 XX
L 35	PN 160	1 5/ 8-12 UN -2A	50	50	39	17.5	15	200	24.9	0 7 82 84 20 00	0 1 82 84 20 XX
L 42	PN 160	1 5/ 8-12 UN -2A	55	60	42	19	15	200	30.8	0 7 82 93 20 00	0 1 82 93 20 XX
L 42	PN 160	1 7/ 8-12 UN -2A	55	60	42	19	15	260	31.6	0 7 82 62 20 00	0 1 82 62 20 XX

Supplementary to Order No. for complete fitting tube connection	
2S	07
ES-4	09
BV-10	Refer to the front page

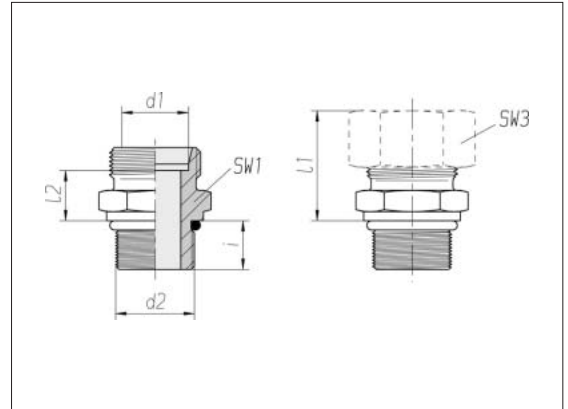
* Apply to complete fittings with 2S or ES-4 tube connection components.
For BV-10 Refer to the front page.

** With union nut and 2S, ES-4 or BV-10 tube connection components

Straight male stud couplings

Thread:
UN/UNF
ISO 11926-2/3
SAE J 514

Sealed with O-ring



Series	Pressure	d2		SW1	SW3	l1*	l2	i	Nm	kg/100	Order No.	Order No.
Tube OD						approx.			-10 %	approx.	Single component	**
d1												
S 6	PN 630	7/16-20 UNF-2A		17	17	28	13	9.2	20	2.7	0 7 82 64 20 00***	0 1 82 64 20 XX
S 8	PN 630	7/16-20 UNF-2A		17	19	30	15	9.2	20	3.2	0 7 82 88 20 00	0 1 82 88 20 XX
S 8	PN 630	1/ 2-20 UNF-2A		17	19	30	15	9.2	30	3.4	0 7 82 65 20 00	0 1 82 65 20 XX
S 10	PN 630	9/16-18 UNF-2A		19	22	31	15	10	35	4.1	0 7 82 66 20 00	0 1 82 66 20 XX
S 10	PN 630	3/ 4-16 UNF-2A		24	22	31	15	11.2	70	6.6	0 7 82 67 20 00	0 1 82 67 20 XX
S 12	PN 630	3/ 4-16 UNF-2A		24	24	33.5	17.5	11.2	70	7.4	0 7 82 69 20 00	0 1 82 69 20 XX
S 12	PN 630	7/ 8-14 UNF-2A		27	24	32.5	16.5	12.7	100	9.7	0 7 82 70 20 00	0 1 82 70 20 XX
S 14	PN 630	9/16-18 UNF-2A		24	27	37	19	10	35	6.8	0 7 82 71 20 00	0 1 82 71 20 XX
S 14	PN 630	3/ 4-16 UNF-2A		24	27	37	19	11.2	70	7.6	0 7 82 72 20 00	0 1 82 72 20 XX
S 16	PN 400	3/ 4-16 UNF-2A		27	30	37	18.5	11.2	70	8.1	0 7 82 73 20 00	0 1 82 73 20 XX
S 16	PN 400	7/ 8-14 UNF-2A		30	30	33.5	15	14	100	8.7	0 7 82 74 20 00	0 1 82 74 20 XX
S 16	PN 400	1 1/16-12 UN -2A		32	30	37	18.5	15	170	14.4	0 7 82 75 20 00	0 1 82 75 20 XX
S 20	PN 400	3/ 4-16 UNF-2A		32	36	42	20.5	11.2	70	12.7	0 7 82 77 20 00	0 1 82 77 20 XX
S 20	PN 400	7/ 8-14 UNF-2A		32	36	42	20.5	12.7	100	13.8	0 7 82 78 20 00	0 1 82 78 20 XX
S 20	PN 400	1 1/16-12 UN -2A		32	36	42	20.5	15	170	15.0	0 7 82 79 20 00	0 1 82 79 20 XX
S 25	PN 400	1 1/16-12 UN -2A		41	46	47	23	15	170	23.5	0 7 82 94 20 00	0 1 82 94 20 XX
S 25	PN 400	1 5/16-12 UN -2A		41	46	47	23	15	270	25.7	0 7 82 80 20 00	0 1 82 80 20 XX
S 30	PN 400	1 1/16-12 UN -2A		46	50	50	23.5	15	170	30.1	0 7 82 81 20 00	0 1 82 81 20 XX
S 30	PN 400	1 5/16-12 UN -2A		46	50	50	23.5	15	270	30.7	0 7 82 82 20 00	0 1 82 82 20 XX
S 30	PN 400	1 5/ 8-12 UN -2A		50	50	50	23.5	15	285	38.1	0 7 82 85 20 00	0 1 82 85 20 XX
S 38	PN 315	1 5/ 8-12 UN -2A		55	60	57	26	15	285	51.6	0 7 82 95 20 00	0 1 82 95 20 XX
S 38	PN 315	1 7/ 8-12 UN -2A		55	60	57	26	15	325	51.9	0 7 82 83 20 00	0 1 82 83 20 XX

Supplementary to Order No. for complete fitting	
tube connection	Supplementary to Order No.
2S	07
ES-4	09
BV-10	Refer to the front page

* Apply to complete fittings with 2S or ES-4 tube connection components.
For BV-10 Refer to the front page.

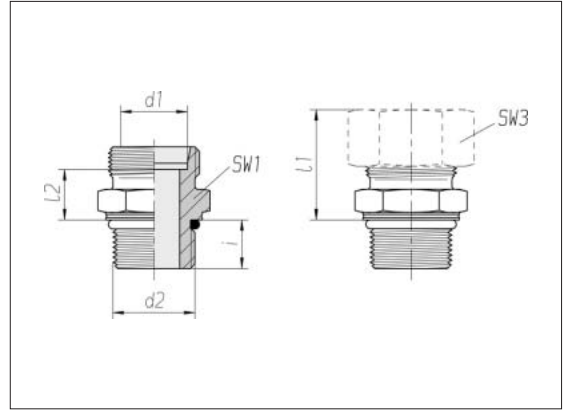
** With union nut and 2S, ES-4 or BV-10 tube connection components

*** Sample product code, see: GE06S7/16UNFOMD

Straight male stud couplings

Thread:
metric fine thread,
ISO 6149
straight

Sealed with O-ring



Series Tube OD d1	Pressure	d2	SW1	SW3	l1* approx.	l2	i	Nm -10 %	kg/100 approx.	Order No. Single component	Order No. **
L 6	PN 500	M 10 x 1	14	14	24	9.5	8.5	15	1.5	0 7 46 00 20 00***	0 1 46 00 20 XX
L 6	PN 500	M 14 x 1.5	19	14	24.5	10	11	35	2.6	0 7 46 01 20 00	0 1 46 01 20 XX
L 8	PN 500	M 12 x 1.5	17	17	25	10	11	25	2.2	0 7 46 05 20 00	0 1 46 05 20 XX
L 10	PN 500	M 14 x 1.5	19	19	26	11	11	35	2.9	0 7 46 10 20 00	0 1 46 10 20 XX
L 10	PN 400	M 16 x 1.5	22	19	27.5	12.5	11.5	40	4.0	0 7 46 13 20 00	0 1 46 13 20 XX
L 10	PN 400	M 18 x 1.5	24	19	27.5	12.5	12.5	45	5.2	0 7 46 14 20 00	0 1 46 14 20 XX
L 10	PN 400	M 22 x 1.5	27	19	29	14	13	60	6.6	0 7 46 11 20 00	0 1 46 11 20 XX
L 12	PN 400	M 12 x 1.5	19	22	27	12.5	11	25	3.0	0 7 46 16 20 00	0 1 46 16 20 XX
L 12	PN 400	M 14 x 1.5	19	22	27.5	13	11	35	3.2	0 7 46 17 20 00	0 1 46 17 20 XX
L 12	PN 400	M 16 x 1.5	22	22	27	12.5	11.5	40	4.0	0 7 46 15 20 00	0 1 46 15 20 XX
L 12	PN 400	M 18 x 1.5	24	22	27	12.5	12.5	45	5.1	0 7 46 19 20 00	0 1 46 19 20 XX
L 12	PN 400	M 22 x 1.5	27	22	28.5	14	13	60	7.6	0 7 46 18 20 00	0 1 46 18 20 XX
L 15	PN 400	M 14 x 1.5	24	27	29	13.5	11	35	4.8	0 7 46 21 20 00	0 1 46 21 20 XX
L 15	PN 400	M 18 x 1.5	24	27	29	13.5	12.5	45	5.2	0 7 46 20 20 00	0 1 46 20 20 XX
L 15	PN 400	M 22 x 1.5	27	27	30.5	15	13	60	7.7	0 7 46 22 20 00	0 1 46 22 20 XX
L 18	PN 400	M 22 x 1.5	27	32	31	14.5	13	60	7.5	0 7 46 25 20 00	0 1 46 25 20 XX
L 22	PN 250	M 27 x 2	32	36	33	16.5	16	100	10.5	0 7 46 30 20 00	0 1 46 30 20 XX
L 22	PN 250	M 33 x 2	41	36	34	17.5	16	160	18.4	0 7 46 32 20 00	0 1 46 32 20 XX
L 28	PN 250	M 33 x 2	41	41	34	17.5	16	160	16.4	0 7 46 35 20 00	0 1 46 35 20 XX
L 35	PN 250	M 42 x 2	50	50	39	17.5	16	210	26.5	0 7 46 40 20 00	0 1 46 40 20 XX
L 42	PN 250	M 48 x 2	55	60	42	19	17.5	260	33.0	0 7 46 45 20 00	0 1 46 45 20 XX

Special pressure stages apply in combination with the 2S cutting ring (refer to Page 48)

Supplementary to Order No. for complete fitting	
tube connection	Supplementary to Order No.
2S	07
ES-4	09
BV-10	Refer to the front page

* Apply to complete fittings with 2S or ES-4 tube connection components.
For BV-10 Refer to the front page.

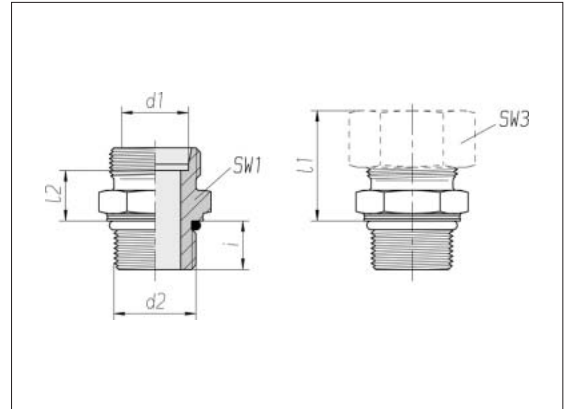
** With union nut and 2S, ES-4 or BV-10 tube connection components

*** Sample product code, see:
GEO06LMOMD
ISO 8434-1-SDS-L6xM10x1, typeF-St

Straight male stud couplings

Thread:
metric fine thread,
ISO 6149
straight

Sealed with O-ring



3

Series	Pressure	d2	SW1	SW3	l1*	l2	i	Nm -10 %	kg/100 ca.	Order No. Single component	Order No. **
S 6	PN 800	M 12 x 1.5	17	17	28	13	11	35	2.9	0 7 46 50 20 00	0 1 46 50 20 XX
S 8	PN 800	M 14 x 1.5	19	19	30	15	11	40	4.1	0 7 46 55 20 00	0 1 46 55 20 XX
S 10	PN 800	M 16 x 1.5	22	22	31	15	12.5	55	5.5	0 7 46 60 20 00	0 1 46 60 20 XX
S 12	PN 630	M 14 x 1.5	22	24	33	17	11	40	5.9	0 7 46 67 20 00	0 1 46 67 20 XX
S 12	PN 630	M 16 x 1.5	22	24	31.5	15.5	12.5	55	6.0	0 7 46 66 20 00	0 1 46 66 20 XX
S 12	PN 630	M 18 x 1.5	24	24	33	17	14	70	7.5	0 7 46 65 20 00	0 1 46 65 20 XX
S 16	PN 630	M 22 x 1.5	27	30	37	18.5	15	100	9.9	0 7 46 75 20 00	0 1 46 75 20 XX
S 20	PN 420	M 27 x 2	32	36	42	20.5	18.5	170	16.4	0 7 46 80 20 00	0 1 46 80 20 XX
S 25	PN 420	M 33 x 2	41	46	47	23	18.5	310	26.9	0 7 46 85 20 00	0 1 46 85 20 XX
S 30	PN 420	M 33 x 2	46	50	50	23.5	18.5	310	33.7	0 7 46 91 20 00	0 1 46 91 20 XX
S 30	PN 420	M 42 x 2	50	50	50	23.5	19	330	49.3	0 7 46 90 20 00	0 1 46 90 20 XX
S 38	PN 420	M 48 x 2	55	60	57	26	21.5	420	57.1	0 7 46 95 20 00	0 1 46 95 20 XX

Special pressure stages apply in combination with the 2S cutting ring (refer to Page 48)

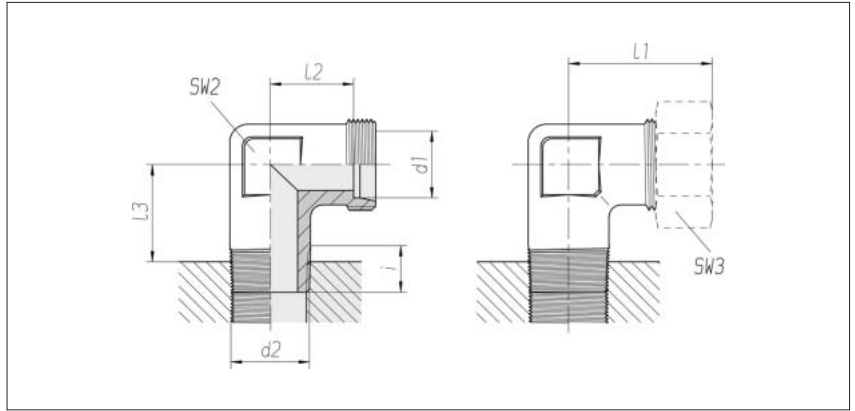
Supplementary to Order No. for complete fitting tube connection	Supplementary to Order No.
2S	07
ES-4	09
BV-10	Refer to the front page

* Apply to complete fittings with 2S or ES-4 tube connection components.
For BV-10 Refer to the front page.

** With union nut and 2S, ES-4 or BV-10 tube connection components

Elbow male stud couplings

Thread:
metric fine thread,
tapered



Series	Pressure	d2		SW2	SW3	l1	l2	l3	i	kg/100	Order No.	Order No.
Tube OD						approx.		approx.		approx.	Single component	*
d1												
LL 4	PN 100	M 8 x 1	taper	9	10	21	11	12	8	0.9	0 7 13 00 20 00	-
LL 6	PN 100	M 6 x 1	taper	11	12	21	9.5	12	8	1.5	0 7 13 96 20 00	-
LL 6	PN 100	M 8 x 1	taper	11	12	21	9.5	12	8	1.6	0 7 13 11 20 00	-
LL 6	PN 100	M 10 x 1	taper	11	12	21	9.5	12	8	1.7	0 7 13 10 20 00	-
LL 8	PN 100	M 10 x 1	taper	12	14	23	11.5	15	8	2.2	0 7 13 15 20 00	-
L 6	PN 315	M 10 x 1	taper	12	14	27	12	15	8	2.9	0 7 14 00 20 00	0 1 14 00 20 07**
L 8	PN 315	M 12 x 1.5	taper	14	17	29	14	18	12	4.3	0 7 14 05 20 00	0 1 14 05 20 07
L 10	PN 315	M 14 x 1.5	taper	17	19	30	15	19	12	6.2	0 7 14 10 20 00	0 1 14 10 20 07
L 12	PN 315	M 16 x 1.5	taper	19	22	32	17	20	12	8.5	0 7 14 15 20 00	0 1 14 15 20 07
L 12	PN 315	M 18 x 1.5	taper	19	22	36	21	24	12	8.2	0 7 14 17 20 00	0 1 14 17 20 07
L 15	PN 315	M 18 x 1.5	taper	19	27	36	21	24	12	8.3	0 7 14 20 20 00	0 1 14 20 20 07
L 18	PN 315	M 22 x 1.5	taper	24	32	40	23.5	26.5	14	13.0	0 7 14 25 20 00	0 1 14 25 20 07
S 6	PB 630	M 12 x 1.5	taper	14	17	31	16	18	12	5.2	0 7 14 50 20 00	0 1 14 50 20 07
S 8	PB 630	M 14 x 1.5	taper	17	19	32	17	19	12	7.4	0 7 14 55 20 00	0 1 14 55 20 07
S 10	PB 630	M 16 x 1.5	taper	19	22	34	17.5	20	12	10.1	0 7 14 60 20 00	0 1 14 60 20 07
S 12	PB 630	M 18 x 1.5	taper	22	24	38	21.5	20	12	12.9	0 7 14 65 20 00	0 1 14 65 20 07
S 14	PB 630	M 20 x 1.5	taper	19	27	40	22	22.5	14	10.4	0 7 14 70 20 00	0 1 14 70 20 07
S 16	PB 400	M 22 x 1.5	taper	24	30	43	24.5	22.5	14	14.5	0 7 14 75 20 00	0 1 14 75 20 07

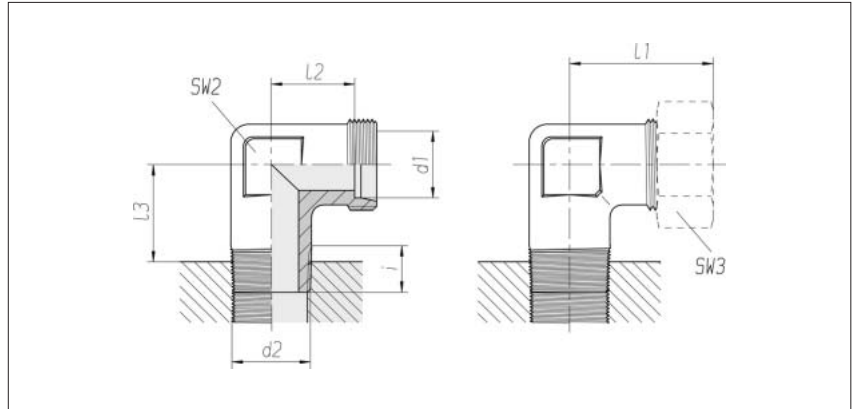
The operating pressure PB 630 only applies for threaded bores with tapered threads

* With union nut and 2S cutting ring

** Sample product code, see: WE06LM
DIN 2353-FL6-St

Elbow male stud couplings

Thread:
Whitworth pipe thread,
tapered



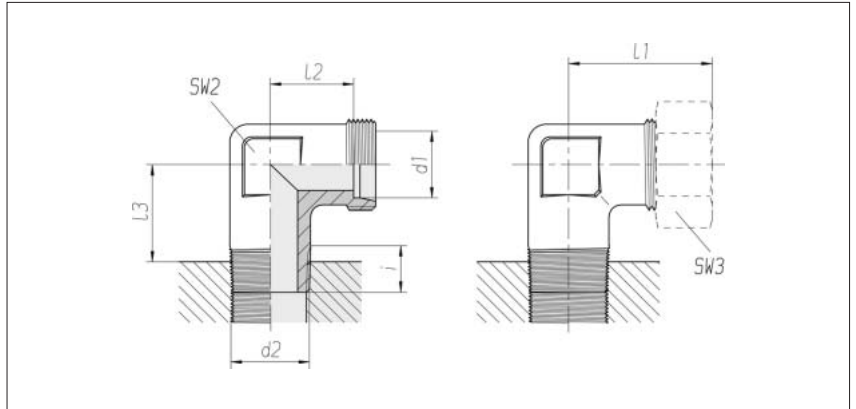
Series Tube OD d1	Pressure	d2	SW2	SW3	l1 approx.	l2	l3	i approx.	kg/100 approx.	Order No. Single component	Order No. *
LL 4	PN 100	R 1/8	11	10	21	11	12	8	1.0	0 7 15 00 20 00	-
LL 6	PN 100	R 1/8	11	12	21	9.5	12	8	1.6	0 7 15 10 20 00	-
LL 8	PN 100	R 1/8	12	14	23	11.5	15	8	2.2	0 7 15 15 20 00	-
L 6	PN 315	R 1/8	12	14	27	12	15	8	2.7	0 7 16 00 20 00	0 1 16 00 20 07**
L 6	PN 315	R 1/4	14	14	29	14	18	12	4.5	0 7 16 02 20 00	0 1 16 02 20 07
L 6	PN 315	R 3/8	17	14	32	17	19	12	6.8	0 7 16 03 20 00	0 1 16 03 20 07
L 8	PN 315	R 1/8	14	17	29	14	21	8	4.6	0 7 16 06 20 00	0 1 16 06 20 07
L 8	PN 315	R 1/4	14	17	29	14	18	12	4.8	0 7 16 05 20 00	0 1 16 05 20 07
L 8	PN 315	R 3/8	19	17	30	15	20	15	8.8	0 7 16 07 20 00	0 1 16 07 20 07
L 10	PN 315	R 1/8	17	19	30	15	20	8	6.7	0 7 16 11 20 00	0 1 16 11 20 07
L 10	PN 315	R 1/4	17	19	30	15	19	12	5.9	0 7 16 10 20 00	0 1 16 10 20 07
L 10	PN 315	R 3/8	19	19	31	16	20	15	9.3	0 7 16 12 20 00	0 1 16 12 20 07
L 10	PN 315	R 1/2	19	19	35	20	24	10	9.6	0 7 16 13 20 00	0 1 16 13 20 07
L 12	PN 315	R 1/4	19	22	32	17	20	12	8.5	0 7 16 16 20 00	0 1 16 16 20 07
L 12	PN 315	R 3/8	19	22	32	17	20	12	9.1	0 7 16 15 20 00	0 1 16 15 20 07
L 12	PN 315	R 1/2	19	22	35	20	24	14	9.7	0 7 16 17 20 00	0 1 16 17 20 07
L 15	PN 315	R 3/8	19	27	36	21	24	12	9.0	0 7 16 21 20 00	0 1 16 21 20 07
L 15	PN 315	R 1/2	19	27	36	21	24	14	9.5	0 7 16 20 20 00	0 1 16 20 20 07
L 15	PN 160	R 3/4	27	27	36.5	21.5	31	16	18.6	0 7 16 22 20 00	0 1 16 22 20 07
L 18	PN 315	R 1/2	24	32	40	23.5	26.5	14	12.6	0 7 16 25 20 00	0 1 16 25 20 07
L 22	PN 160	R 3/4	27	36	44	27.5	31	16	17.3	0 7 16 34 20 00	0 1 16 34 20 07

* With union nut and 2S cutting ring

** Sample product code, see:
WE06LR
DIN 2353-GL6-St

Elbow male stud couplings

Thread:
Whitworth pipe thread,
tapered



Series	Pressure	d2	SW2	SW3	l1	l2	l3	i	kg/100	Order No.	Order No.
Tube OD					approx.		approx.		approx.	Single component	*
d1											
S 6	PB 630	R 1/4	14	17	31	16	18	12	5.4	0 7 16 50 20 00	0 1 16 50 20 07**
S 8	PB 630	R 1/4	17	19	32	17	19	12	7.0	0 7 16 55 20 00	0 1 16 55 20 07
S 10	PB 630	R 3/8	19	22	34	17.5	20	12	10.2	0 7 16 60 20 00	0 1 16 60 20 07
S 12	PB 630	R 3/8	22	24	38	21.5	20	12	12.7	0 7 16 65 20 00	0 1 16 65 20 07
S 12	PB 630	R 1/2	19	24	38	21.5	24	14	10.3	0 7 16 67 20 00	0 1 16 67 20 07
S 14	PB 630	R 1/4	19	27	40	22	22	12	9.3	0 7 16 73 20 00	0 1 16 73 20 07
S 14	PB 630	R 3/8	19	27	40	22	22	12	9.7	0 7 16 71 20 00	0 1 16 71 20 07
S 14	PB 630	R 1/2	19	27	40	22	22.5	14	10.5	0 7 16 70 20 00	0 1 16 70 20 07
S 16	PB 400	R 1/2	24	30	43	24.5	22.5	14	13.9	0 7 16 75 20 00	0 1 16 75 20 07
S 16	PB 400	R 3/4	27	30	43	24.5	31	16	18.9	0 7 16 77 20 00	0 1 16 77 20 07
S 20	PB 400	R 1/2	27	36	48	26.5	30	14	21.6	0 7 16 81 20 00	0 1 16 81 20 07
S 20	PB 400	R 3/4	27	36	48	26.5	31	16	21.7	0 7 16 84 20 00	0 1 16 84 20 07

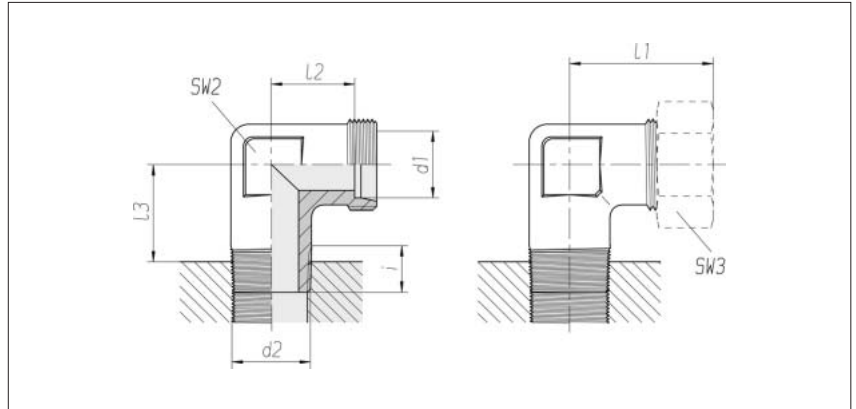
The operating pressure PB 630 only applies for threaded bores with tapered threads

* With union nut and 2S cutting ring

** Sample product code, see: WE06SR
DIN 2353-GS6-St

Elbow male stud couplings

Thread:
NPT (ANSI/ASME B 1
-20.01/01/1983)



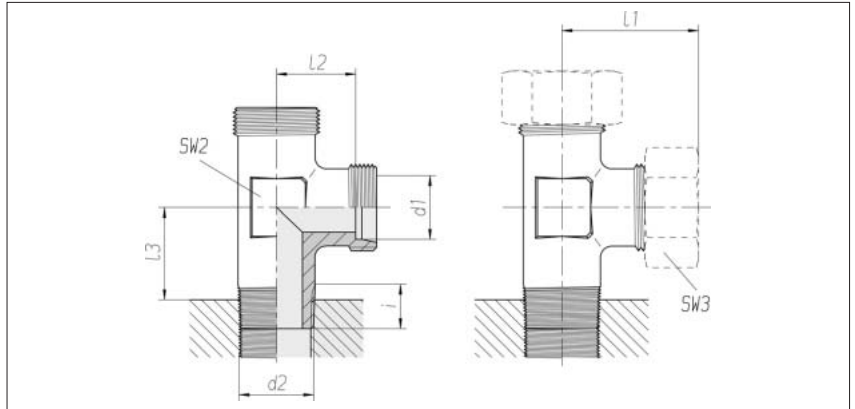
Series Tube OD d1	Pressure	d2	SW2	SW3	l1	l2 approx.	l3 approx.	i	Nm -10 %	kg/100 approx.	Order No. Single component	Order No. *
LL 4	PN 100	1/8 NPT	11	10	21	11	11.5	9.9	15	1.8	0 7 17 00 20 00	-
LL 6	PN 100	1/8 NPT	11	12	21	9.5	11.5	9.9	15	1.7	0 7 17 10 20 00	-
LL 8	PN 100	1/8 NPT	12	14	23	11.5	15.9	9.9	15	2.4	0 7 17 15 20 00	-
L 6	PN 315	1/8 NPT	12	14	27	12	15.9	9.9	15	3.0	0 7 18 00 20 00**	0 1 18 00 20 07
L 6	PN 315	1/4 NPT	14	14	29	14	20.2	15.1	35	4.9	0 7 18 02 20 00	0 1 18 02 20 07
L 8	PN 315	1/4 NPT	14	17	29	14	20.2	15.1	35	4.7	0 7 18 05 20 00	0 1 18 05 20 07
L 10	PN 315	1/4 NPT	17	19	30	15	21.2	15.1	35	6.2	0 7 18 10 20 00	0 1 18 10 20 07
L 12	PN 315	1/4 NPT	19	22	32	17	22.2	15.1	35	8.6	0 7 18 16 20 00	0 1 18 16 20 07
L 12	PN 315	3/8 NPT	19	22	32	17	21.9	15.2	55	9.0	0 7 18 15 20 00	0 1 18 15 20 07
L 12	PN 315	1/2 NPT	24	22	36	21	19.5	19.8	110	12.3	0 7 18 17 20 00	0 1 18 17 20 07
L 15	PN 315	1/2 NPT	24	27	39	24	22.5	19.8	110	14.2	0 7 18 20 20 00	0 1 18 20 20 07
L 18	PN 315	1/2 NPT	24	32	40	23.5	23.5	19.8	110	12.9	0 7 18 25 20 00	0 1 18 25 20 07
L 22	PN 160	3/4 NPT	27	36	44	27.5	28.5	20.1	175	17.4	0 7 18 30 20 00	0 1 18 30 20 07
L 28	PN 160	1 NPT	36	41	47	30.5	32.5	25.0	265	28.5	0 7 18 35 20 00	0 1 18 35 20 07
L 35	PN 160	1 1/4 NPT	41	50	56	34.5	37.0	25.6	315	47.7	0 7 18 40 20 00	0 1 18 40 20 07
L 42	PN 160	1 1/2 NPT	50	60	63	40	44.0	26.0	385	72.3	0 7 18 45 20 00	0 1 18 45 20 07
S 6	PN 630	1/4 NPT	14	17	31	16	20.2	15.1	35	5.6	0 7 18 50 20 00	0 1 18 50 20 07
S 8	PN 630	1/4 NPT	17	19	32	17	21.2	15.1	35	7.3	0 7 18 55 20 00	0 1 18 55 20 07
S 10	PN 630	3/8 NPT	19	22	34	17.5	21.9	15.2	55	10.4	0 7 18 60 20 00	0 1 18 60 20 07
S 12	PN 630	3/8 NPT	22	24	38	21.5	22.9	15.2	55	12.6	0 7 18 65 20 00	0 1 18 65 20 07
S 14	PN 630	1/2 NPT	24	27	43	25	19.5	19.8	110	14.9	0 7 18 70 20 00	0 1 18 70 20 07
S 16	PN 400	1/2 NPT	24	30	43	24.5	19.5	19.8	110	14.6	0 7 18 75 20 00	0 1 18 75 20 07
S 20	PN 400	3/4 NPT	27	36	48	26.5	28.5	20.1	175	21.5	0 7 18 80 20 00	0 1 18 80 20 07
S 25	PN 400	1 NPT	36	46	54	30	32.5	25.0	265	37.6	0 7 18 85 20 00	0 1 18 85 20 07
S 30	PN 400	1 1/4 NPT	41	50	62	35.5	37.0	25.6	315	64.8	0 7 18 90 20 00	0 1 18 90 20 07
S 38	PN 315	1 1/2 NPT	50	60	72	41	44.0	26.0	385	97.1	0 7 18 95 20 00	0 1 18 95 20 07

* With union nut and 2S cutting ring

** Sample product code, see:
WE06L1/8NPTX

Male stud barrel tees

Thread:
metric fine thread,
tapered



Series	Pressure	d2		SW2	SW3	l1 approx.	l2	l3	i	kg/100 approx.	Order No. Single component	Order No. *
LL 4	PN 100	M 8 x 1	taper	9	10	21	11	12	8	1.2	0 7 21 00 20 00	-
LL 6	PN 100	M 10 x 1	taper	9	12	21	9.5	12	8	1.2	0 7 21 10 20 00	-
LL 8	PN 100	M 10 x 1	taper	12	14	23	11.5	15	8	2.8	0 7 21 15 20 00	-
L 6	PN 315	M 10 x 1	taper	12	14	27	12	15	8	3.8	0 7 22 00 20 00	0 1 22 00 20 07**
L 8	PN 315	M 12 x 1.5	taper	14	17	29	14	18	12	5.4	0 7 22 05 20 00	0 1 22 05 20 07
L 10	PN 315	M 14 x 1.5	taper	17	19	30	15	19	12	7.2	0 7 22 10 20 00	0 1 22 10 20 07
L 12	PN 315	M 16 x 1.5	taper	19	22	32	17	20	12	10.1	0 7 22 15 20 00	0 1 22 15 20 07
L 15	PN 315	M 18 x 1.5	taper	19	27	36	21	24	12	10.4	0 7 22 20 20 00	0 1 22 20 20 07
L 18	PN 315	M 22 x 1.5	taper	24	32	40	23.5	26.5	14	16.5	0 7 22 25 20 00	0 1 22 25 20 07
S 6	PB 630	M 12 x 1.5	taper	14	17	31	16	18	12	7.0	0 7 22 50 20 00	0 1 22 50 20 07
S 8	PB 630	M 14 x 1.5	taper	17	19	32	17	19	12	9.3	0 7 22 55 20 00	0 1 22 55 20 07
S 10	PB 630	M 16 x 1.5	taper	19	22	34	17.5	20	12	11.8	0 7 22 60 20 00	0 1 22 60 20 07
S 12	PB 630	M 18 x 1.5	taper	22	24	38	21.5	20	12	16.8	0 7 22 65 20 00	0 1 22 65 20 07
S 14	PB 630	M 20 x 1.5	taper	19	27	40	22	22.5	14	13.2	0 7 22 70 20 00	0 1 22 70 20 07
S 16	PB 400	M 22 x 1.5	taper	24	30	43	24.5	22.5	14	16.5	0 7 22 75 20 00	0 1 22 75 20 07

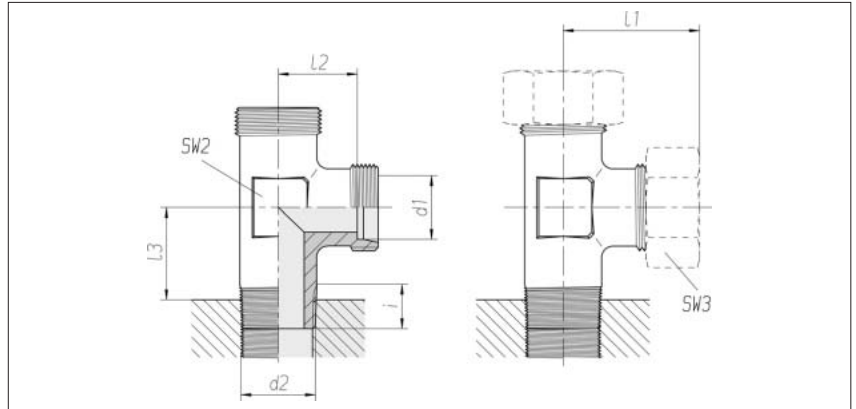
The operating pressure PB 630 only applies for threaded bores with tapered threads

* With union nut and 2S cutting ring

** Sample product code, see: LE06LM
DIN 2353-AAL6-St

Male stud barrel tees

Thread:
Whitworth pipe thread,
tapered



Series	Pressure	d2	SW2	SW3	l1 approx.	l2	l3	i	kg/100 approx.	Order No. Single component	Order No. *
Tube OD d1											
LL 4	PN 100	R 1/8	9	10	21	11	12	8	1.3	0 7 23 00 20 00	-
LL 6	PN 100	R 1/8	9	12	21	9.5	12	8	1.2	0 7 23 10 20 00	-
LL 8	PN 100	R 1/8	12	14	23	11.5	15	8	2.8	0 7 23 15 20 00	-
L 6	PN 315	R 1/8	12	14	27	12	15	8	3.7	0 7 24 00 20 00	0 1 24 00 20 07**
L 8	PN 315	R 1/4	14	17	29	14	18	12	5.6	0 7 24 05 20 00	0 1 24 05 20 07
L 10	PN 315	R 1/4	17	19	30	15	19	12	7.3	0 7 24 10 20 00	0 1 24 10 20 07
L 12	PN 315	R 3/8	19	22	32	17	20	12	9.8	0 7 24 15 20 00	0 1 24 15 20 07
L 15	PN 315	R 1/2	19	27	36	21	24	14	11.7	0 7 24 20 20 00	0 1 24 20 20 07
L 18	PN 315	R 1/2	24	32	40	23.5	26.5	14	15.7	0 7 24 25 20 00	0 1 24 25 20 07
S 6	PB 630	R 1/4	14	17	31	16	18	12	12.1	0 7 24 50 20 00	0 1 24 50 20 07
S 8	PB 630	R 1/4	17	19	32	17	19	12	9.0	0 7 24 55 20 00	0 1 24 55 20 07
S 10	PB 630	R 3/8	19	22	34	17.5	20	12	11.9	0 7 24 60 20 00	0 1 24 60 20 07
S 12	PB 630	R 3/8	22	24	38	21.5	20	12	16.2	0 7 24 65 20 00	0 1 24 65 20 07
S 14	PB 630	R 1/2	19	27	40	22	22.5	14	13.7	0 7 24 70 20 00	0 1 24 70 20 07
S 16	PB 400	R 1/2	24	30	43	24.5	22.5	14	16.5	0 7 24 75 20 00	0 1 24 75 20 07

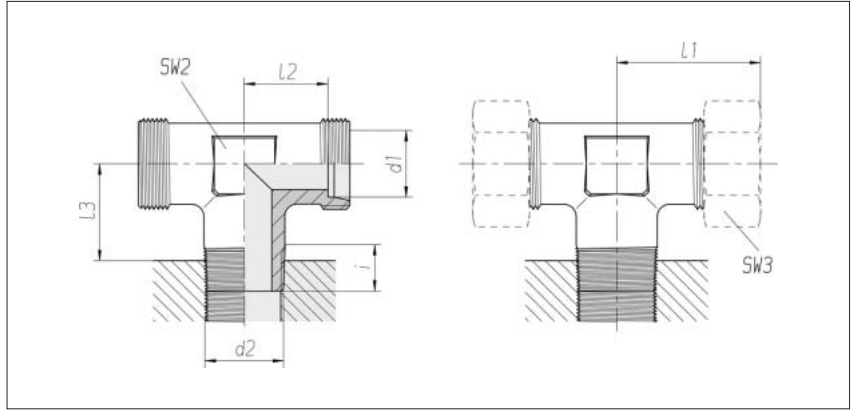
The operating pressure PB 630 only applies for threaded bores with tapered threads

* With union nut and 2S cutting ring

** Sample product code, see: LE06LR
DIN 2353-ABL6-St

Male stud branch tees

Thread:
metric fine thread,
tapered



Series	Pressure	d2		SW2	SW3	l1 approx.	l2	l3	i	kg/100 approx.	Order No. Single component	Order No. *
Tube OD		d1										
LL 4	PN 100	M 8 x 1	taper	9	10	21	11	12	8	1.2	0 7 27 00 20 00	-
LL 6	PN 100	M 10 x 1	taper	9	12	21	9.5	12	8	1.2	0 7 27 10 20 00	-
LL 8	PN 100	M 10 x 1	taper	12	14	23	11.5	15	8	2.8	0 7 27 15 20 00	-
L 6	PN 315	M 10 x 1	taper	12	14	27	12	15	8	3.6	0 7 28 00 20 00	0 1 28 00 20 07**
L 8	PN 315	M 12 x 1.5	taper	14	17	29	14	18	12	5.5	0 7 28 05 20 00	0 1 28 05 20 07
L 10	PN 315	M 14 x 1.5	taper	17	19	30	15	19	12	7.2	0 7 28 10 20 00	0 1 28 10 20 07
L 12	PN 315	M 16 x 1.5	taper	19	22	32	17	20	12	9.8	0 7 28 15 20 00	0 1 28 15 20 07
L 15	PN 315	M 18 x 1.5	taper	19	27	36	21	24	12	10.2	0 7 28 20 20 00	0 1 28 20 20 07
L 18	PN 315	M 22 x 1.5	taper	24	32	40	23.5	26.5	14	14.1	0 7 28 25 20 00	0 1 28 25 20 07
S 6	PB 630	M 12 x 1.5	taper	14	17	31	16	18	12	6.6	0 7 28 50 20 00	0 1 28 50 20 07
S 8	PB 630	M 14 x 1.5	taper	17	19	32	17	19	12	9.2	0 7 28 55 20 00	0 1 28 55 20 07
S 10	PB 630	M 16 x 1.5	taper	19	22	34	17.5	20	12	12.1	0 7 28 60 20 00	0 1 28 60 20 07
S 12	PB 630	M 18 x 1.5	taper	22	24	38	21.5	20	12	16.7	0 7 28 65 20 00	0 1 28 65 20 07
S 14	PB 630	M 20 x 1.5	taper	19	27	40	22	22.5	14	13.2	0 7 28 70 20 00	0 1 28 70 20 07
S 16	PB 400	M 22 x 1.5	taper	24	30	43	24.5	22.5	14	16.1	0 7 28 75 20 00	0 1 28 75 20 07

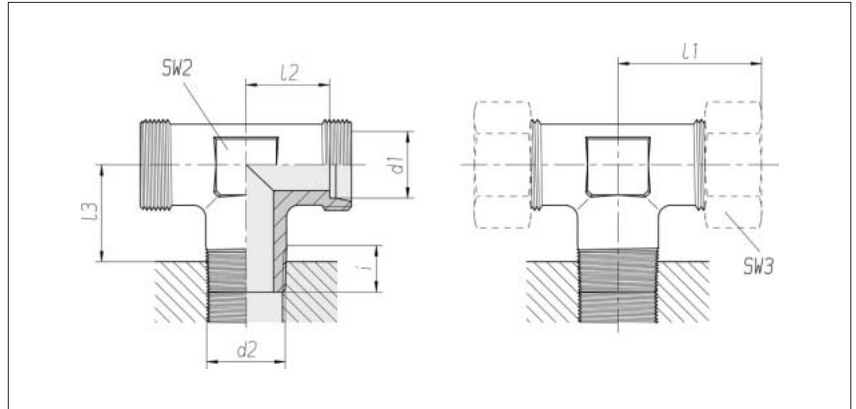
The operating pressure PB 630 only applies for threaded bores with tapered threads

* With union nut and 2S cutting ring

** Sample product code, see: TE06LM
DIN 2353-ML6-St

Male stud branch tees

Thread:
Whitworth pipe thread,
tapered



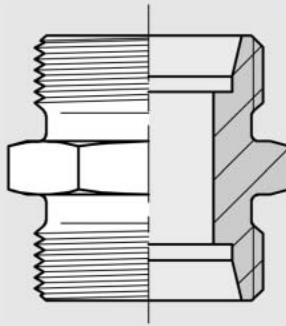
Series	Pressure	d2	SW2	SW3	l1 approx.	l2	l3	i	kg/100 approx.	Order No. Single component	Order No. *
Tube OD											
d1											
LL 4	PN 100	R 1/8	9	10	21	11	12	8	1.3	0 7 29 00 20 00	-
LL 6	PN 100	R 1/8	9	12	21	9.5	12	8	1.2	0 7 29 10 20 00	-
LL 8	PN 100	R 1/8	12	14	23	11.5	15	8	2.7	0 7 29 15 20 00	-
L 6	PN 315	R 1/8	12	14	27	12	15	8	3.6	0 7 30 00 20 00	0 1 30 00 20 07**
L 8	PN 315	R 1/4	14	17	29	14	18	12	5.8	0 7 30 05 20 00	0 1 30 05 20 07
L 10	PN 315	R 1/4	17	19	30	15	19	12	7.2	0 7 30 10 20 00	0 1 30 10 20 07
L 12	PN 315	R 1/4	19	22	32	17	20	12	10.2	0 7 30 16 20 00	0 1 30 16 20 07
L 12	PN 315	R 3/8	19	22	32	17	20	12	10.0	0 7 30 15 20 00	0 1 30 15 20 07
L 15	PN 315	R 1/2	19	27	36	21	24	14	11.6	0 7 30 20 20 00	0 1 30 20 20 07
L 18	PN 315	R 1/2	24	32	40	23.5	26.5	14	15.7	0 7 30 25 20 00	0 1 30 25 20 07
S 6	PB 630	R 1/4	14	17	31	16	18	12	7.1	0 7 30 50 20 00	0 1 30 50 20 07
S 8	PB 630	R 1/4	17	19	32	17	19	12	9.2	0 7 30 55 20 00	0 1 30 55 20 07
S 10	PB 630	R 3/8	19	22	34	17.5	20	12	12.1	0 7 30 60 20 00	0 1 30 60 20 07
S 12	PB 630	R 3/8	22	24	38	21.5	20	12	16.3	0 7 30 65 20 00	0 1 30 65 20 07
S 14	PB 630	R 1/2	19	27	40	22	22.5	14	13.8	0 7 30 70 20 00	0 1 30 70 20 07
S 16	PB 400	R 1/2	24	30	43	24.5	22.5	14	18.5	0 7 30 75 20 00	0 1 30 75 20 07

The operating pressure PB 630
only applies for threaded bores with
tapered threads

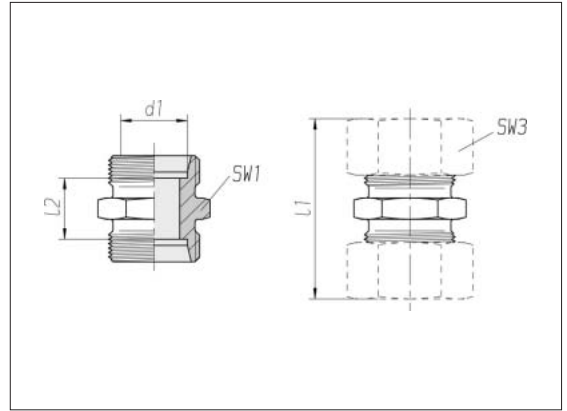
* With union nut and 2S cutting ring

** Sample product code, see:
TE06LR
DIN 2353-NL6-St

Connecting adapters



Straight couplings



Series Tube OD d1	Pressure	SW1	SW3	l1* approx.	l2	kg/100 approx.	Order No. Single component	Order No. **
LL 4	PN 100	9	10	31	12	0.5	0 7 11 00 20 00	-
LL 6	PN 100	11	12	32	9	0.7	0 7 11 10 20 00	-
LL 8	PN 100	12	14	35	12	1.0	0 7 11 15 20 00	-
L 6	PN 500	12	14	39	10	1.2	0 7 12 00 20 00***	0 1 12 00 20 XX
L 8	PN 500	14	17	40	11	1.6	0 7 12 05 20 00	0 1 12 05 20 XX
L 10	PN 500	17	19	42	13	2.2	0 7 12 10 20 00	0 1 12 10 20 XX
L 12	PN 400	19	22	43	14	2.8	0 7 12 15 20 00	0 1 12 15 20 XX
L 15	PN 400	24	27	46	16	4.9	0 7 12 20 20 00	0 1 12 20 20 XX
L 18	PN 400	27	32	48	16	6.7	0 7 12 25 20 00	0 1 12 25 20 XX
L 22	PN 250	32	36	52	20	8.8	0 7 12 30 20 00	0 1 12 30 20 XX
L 28	PN 250	41	41	54	21	13.6	0 7 12 35 20 00	0 1 12 35 20 XX
L 35	PN 250	46	50	63	20	21.0	0 7 12 40 20 00	0 1 12 40 20 XX
L 42	PN 250	55	60	66	21	29.4	0 7 12 45 20 00	0 1 12 45 20 XX

Special pressure stages apply in combination with the 2S cutting ring (refer to Page 48)

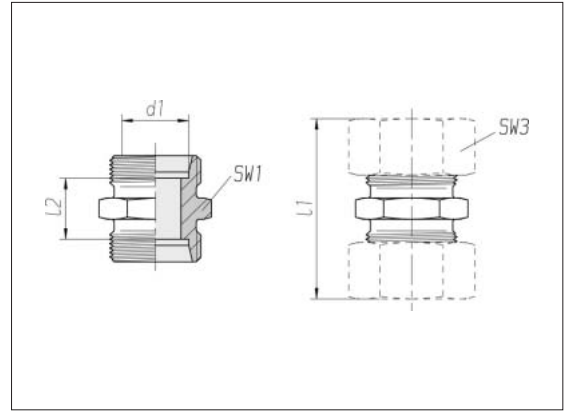
Supplementary to Order No. for complete fitting tube connection	Supplementary to Order No.
2S	07
ES-4	09
BV-10	Refer to the front page

* Apply to complete fittings with 2S or ES-4 tube connection components.
For BV-10 Refer to the front page.

** With union nut and 2S, ES-4 or BV-10 tube connection components

*** Sample product code, see:
G06LX
ISO 8434-1-S-L6-St

Straight couplings



Series Tube OD d1	Pressure	SW1	SW3	l1* approx.	l2	kg/100 approx.	Order No. Single component	Order No. **
S 6	PN 800	14	17	45	16	2.5	0 7 12 50 20 00	0 1 12 50 20 XX
S 8	PN 800	17	19	47	18	3.7	0 7 12 55 20 00	0 1 12 55 20 XX
S 10	PN 800	19	22	49	17	4.3	0 7 12 60 20 00	0 1 12 60 20 XX
S 12	PN 630	22	24	51	19	5.9	0 7 12 65 20 00	0 1 12 65 20 XX
S 14	PN 630	24	27	57	22	7.5	0 7 12 70 20 00	0 1 12 70 20 XX
S 16	PN 630	27	30	57	21	8.7	0 7 12 75 20 00	0 1 12 75 20 XX
S 20	PN 420	32	36	66	23	14.2	0 7 12 80 20 00	0 1 12 80 20 XX
S 25	PN 420	41	46	74	26	25.0	0 7 12 85 20 00	0 1 12 85 20 XX
S 30	PN 420	46	50	80	27	32.3	0 7 12 90 20 00	0 1 12 90 20 XX
S 38	PN 420	55	60	90	29	53.8	0 7 12 95 20 00	0 1 12 95 20 XX

Special pressure stages apply in combination with the 2S cutting ring (refer to Page 48)

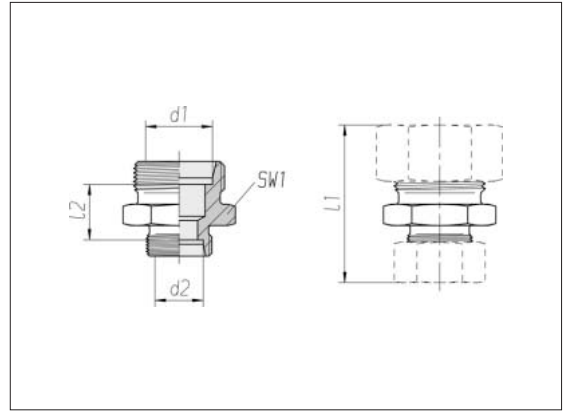
Supplementary to Order No. for complete fitting tube connection	Supplementary to Order No.
2S	07
ES-4	09
BV-10	Refer to the front page

* Apply to complete fittings with 2S or ES-4 tube connection components.
For BV-10 Refer to the front page.

** With union nut and 2S, ES-4 or BV-10 tube connection components

Straight reducing couplings

For tube-to-tube connection according to DIN 2353 / ISO 8434-1



Series Tube OD d1	Pressure	Series Tube OD d2	SW1	l1* approx.	l2 approx.	kg/100 approx.	Order No. Single component	Order No. **
LL 6	PN 100	LL 4	11	31.5	10.5	0.7	0 7 11 12 20 00	-
LL 8	PN 100	LL 4	12	34.5	12.5	0.9	0 7 11 18 20 00	-
L 8	PN 500	L 6	14	40.5	11	1.5	0 7 12 06 20 00***	0 1 12 06 20 XX
L 10	PN 500	L 6	17	41.5	12	2.0	0 7 12 12 20 00	0 1 12 12 20 XX
L 10	PN 500	L 8	17	42	12	2.1	0 7 12 11 20 00	0 1 12 11 20 XX
L 12	PN 400	L 6	19	42	13	2.5	0 7 12 18 20 00	0 1 12 18 20 XX
L 12	PN 400	L 8	19	42.5	13	2.6	0 7 12 17 20 00	0 1 12 17 20 XX
L 12	PN 400	L 10	19	43.5	14	2.7	0 7 12 16 20 00	0 1 12 16 20 XX
L 15	PN 400	L 8	24	44	14	4.0	0 7 12 23 20 00	0 1 12 23 20 XX
L 15	PN 400	L 10	24	45	15	4.1	0 7 12 22 20 00	0 1 12 22 20 XX
L 15	PN 400	L 12	24	44.5	15	4.2	0 7 12 21 20 00	0 1 12 21 20 XX
L 18	PN 400	L 10	27	47	15.5	5.6	0 7 12 28 20 00	0 1 12 28 20 XX
L 18	PN 400	L 12	27	46.5	15.5	5.7	0 7 12 27 20 00	0 1 12 27 20 XX
L 18	PN 400	L 15	27	48	16.5	6.1	0 7 12 26 20 00	0 1 12 26 20 XX
L 22	PN 250	L 10	32	49	17.5	7.5	0 7 12 34 20 00	0 1 12 34 20 XX
L 22	PN 250	L 12	32	48.5	17.5	7.6	0 7 12 33 20 00	0 1 12 33 20 XX
L 22	PN 250	L 15	32	50	18.5	8.1	0 7 12 32 20 00	0 1 12 32 20 XX
L 22	PN 250	L 18	32	51	18	8.6	0 7 12 31 20 00	0 1 12 31 20 XX

Continuation on page 97

Special pressure stages apply in combination with the 2S cutting ring (refer to Page 48)

Supplementary to Order No. for complete fitting tube connection	Supplementary to Order No.
2S	07
ES-4	09
BV-10	Refer to the front page

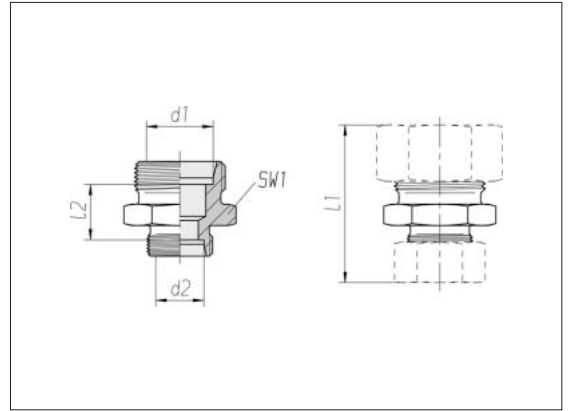
* Apply to complete fittings with 2S or ES-4 tube connection components.
For BV-10 Refer to the front page.

** With union nut and 2S, ES-4 or BV-10 tube connection components

*** Sample product code, see: GR08/06LX
ISO 8434-1-RDS-L8xL6-St

Straight reducing couplings

For tube-to-tube connection according to DIN 2353 / ISO 8434-1



3

Series Tube OD d1	Pressure	Series Tube OD d2	SW1	l1* approx.	l2	kg/100 approx.	Order No. Single component	Order No. **
L 28	PN 250	L 10	41	50	18.5	12.2	0 7 11 82 20 00	0 1 11 82 20 XX
L 28	PN 250	L 18	41	52	19	12.3	0 7 12 37 20 00	0 1 12 37 20 XX
L 28	PN 250	L 22	41	54	21	13.2	0 7 12 36 20 00	0 1 12 36 20 XX
L 35	PN 250	L 22	46	59	21	19.0	0 7 12 42 20 00	0 1 12 42 20 XX
L 35	PN 250	L 28	46	59	21	19.0	0 7 12 41 20 00	0 1 12 41 20 XX
L 42	PN 250	L 28	55	62	22.5	26.8	0 7 12 47 20 00	0 1 12 47 20 XX
L 42	PN 250	L 35	55	66	21.5	29.3	0 7 12 46 20 00	0 1 12 46 20 XX

Special pressure stages apply in combination with the 2S cutting ring (refer to Page 48)

Supplementary to Order No. for complete fitting tube connection Supplementary to Order No.

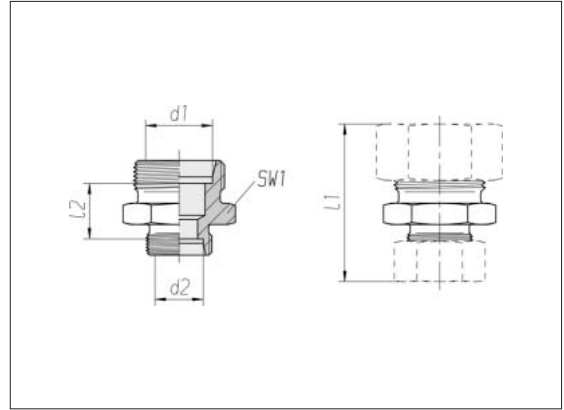
2S	07
ES-4	09
BV-10	Refer to the front page

* Apply to complete fittings with 2S or ES-4 tube connection components.
For BV-10 Refer to the front page.

** With union nut and 2S, ES-4 or BV-10 tube connection components

Straight reducing couplings

For tube-to-tube connection according to DIN 2353 / ISO 8434-1



Series Tube OD d1	Pressure	Series Tube OD d2	SW1	l1* approx.	l2 approx.	kg/100 approx.	Order No. Single component	Order No. **
S 8	PN 800	S 6	17	48	18	3.4	0 7 12 56 20 00***	0 1 12 56 20 XX
S 10	PN 800	S 6	19	48.5	17.5	4.0	0 7 12 62 20 00	0 1 12 62 20 XX
S 10	PN 800	S 8	19	48.5	17.5	4.2	0 7 12 61 20 00	0 1 12 61 20 XX
S 12	PN 630	S 6	22	50.5	19.5	5.4	0 7 12 68 20 00	0 1 12 68 20 XX
S 12	PN 630	S 8	22	50.5	19.5	5.6	0 7 12 67 20 00	0 1 12 67 20 XX
S 12	PN 630	S 10	22	51	19	5.8	0 7 12 66 20 00	0 1 12 66 20 XX
S 14	PN 630	S 10	24	54.5	20.5	6.9	0 7 12 72 20 00	0 1 12 72 20 XX
S 14	PN 630	S 12	24	54.6	20.5	7.0	0 7 12 71 20 00	0 1 12 71 20 XX
S 16	PN 630	S 8	27	54	20.5	7.8	0 7 12 79 20 00	0 1 12 79 20 XX
S 16	PN 630	S 10	27	54.5	20	7.9	0 7 12 78 20 00	0 1 12 78 20 XX
S 16	PN 630	S 12	27	54.5	20	8.0	0 7 12 77 20 00	0 1 12 77 20 XX
S 16	PN 400	L 12	27	52.5	19.5	7.7	0 7 11 98 20 00	0 1 11 98 20 XX
S 16	PN 630	S 14	27	58	21.5	8.7	0 7 12 76 20 00	0 1 12 76 20 XX
S 20	PN 420	S 10	32	56.5	22	12.2	0 7 12 84 20 00	0 1 12 84 20 XX
S 20	PN 420	S 12	32	56.5	22	12.5	0 7 12 83 20 00	0 1 12 83 20 XX
S 20	PN 420	S 14	32	63	23.5	12.9	0 7 12 82 20 00	0 1 12 82 20 XX
S 20	PN 420	S 16	32	60	23	12.9	0 7 12 81 20 00	0 1 12 81 20 XX
S 25	PN 420	S 16	41	68	26.5	22.0	0 7 12 87 20 00	0 1 12 87 20 XX
S 25	PN 420	S 20	41	68	25.5	23.2	0 7 12 86 20 00	0 1 12 86 20 XX
S 30	PN 420	S 20	46	71	26	29.4	0 7 12 92 20 00	0 1 12 92 20 XX
S 30	PN 420	S 25	46	77	26.5	31.1	0 7 12 91 20 00	0 1 12 91 20 XX
S 38	PN 420	S 30	55	87	29.5	48.8	0 7 12 96 20 00	0 1 12 96 20 XX

Special pressure stages apply in combination with the 2S cutting ring (refer to Page 48)

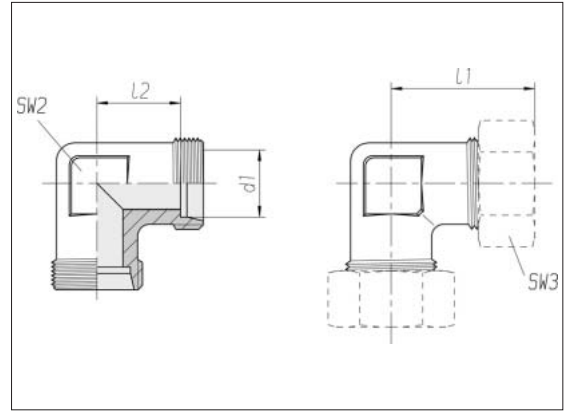
Supplementary to Order No. for complete fitting tube connection	Supplementary to Order No.
2S	07
ES-4	09
BV-10	Refer to the front page

* Apply to complete fittings with 2S or ES-4 tube connection components.
For BV-10 Refer to the front page.

** With union nut and 2S, ES-4 or BV-10 tube connection components

*** Sample product code, see: GR08/06SX
ISO 8434-1-RDS-S8xS6-St

Elbow couplings



Series Tube OD d1	Pressure	SW2	SW3	l1* approx.	l2	kg/100 approx.	Order No. Single component	Order No. **
LL 4	PN 100	9	10	21	11	1.3	0 7 19 00 20 00	-
LL 6	PN 100	11	12	21	9.5	1.5	0 7 19 10 20 00	-
LL 8	PN 100	12	14	23	11.5	2.3	0 7 19 15 20 00	-
L 6	PN 500	12	14	27	12	2.8	0 7 20 00 20 00***	0 1 20 00 20 XX
L 8	PN 500	14	17	29	14	4.1	0 7 20 05 20 00	0 1 20 05 20 XX
L 10	PN 500	17	19	30	15	5.6	0 7 20 10 20 00	0 1 20 10 20 XX
L 12	PN 400	19	22	32	17	7.7	0 7 20 15 20 00	0 1 20 15 20 XX
L 15	PN 400	19	27	36	21	7.4	0 7 20 20 20 00	0 1 20 20 20 XX
L 18	PN 400	24	32	40	23.5	11.9	0 7 20 25 20 00	0 1 20 25 20 XX
L 22	PN 250	27	36	44	27.5	15.2	0 7 20 30 20 00	0 1 20 30 20 XX
L 28	PN 250	36	41	47	30.5	25.1	0 7 20 35 20 00	0 1 20 35 20 XX
L 35	PN 250	41	50	56	34.5	43.1	0 7 20 40 20 00	0 1 20 40 20 XX
L 42	PN 250	50	60	63	40	78.2	0 7 20 45 20 00	0 1 20 45 20 XX

Special pressure stages apply in combination with the 2S cutting ring (refer to Page 48)

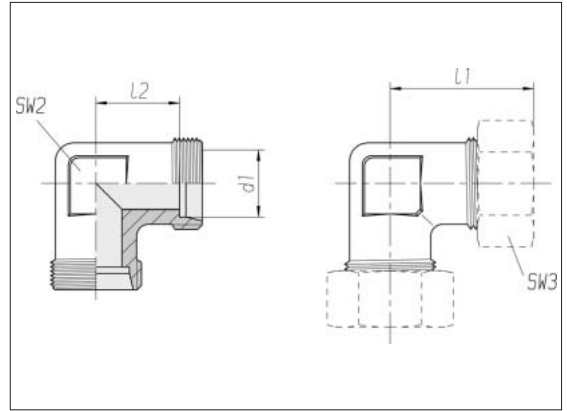
Supplementary to Order No. for complete fitting tube connection	Supplementary to Order No.
2S	07
ES-4	09
BV-10	Refer to the front page

* Apply to complete fittings with 2S or ES-4 tube connection components.
For BV-10 Refer to the front page.

** With union nut and 2S, ES-4 or BV-10 tube connection components

*** Sample product code, see: W06LX
ISO 8434-1-E-L6-St

Elbow couplings



Series Tube OD d1	Pressure	SW2	SW3	l1* approx.	l2	kg/100 approx.	Order No. Single component	Order No. **
S 6	PN 800	14	17	31	16	5.1	0 7 20 50 20 00	0 1 20 50 20 XX
S 8	PN 800	17	19	32	17	7.2	0 7 20 55 20 00	0 1 20 55 20 XX
S 10	PN 800	19	22	34	17.5	9.8	0 7 20 60 20 00	0 1 20 60 20 XX
S 12	PN 630	22	24	38	21.5	14.4	0 7 20 65 20 00	0 1 20 65 20 XX
S 14	PN 630	19	27	40	22	10.4	0 7 20 70 20 00	0 1 20 70 20 XX
S 16	PN 630	24	30	43	24.5	12.7	0 7 20 75 20 00	0 1 20 75 20 XX
S 20	PN 420	27	36	48	26.5	20.5	0 7 20 80 20 00	0 1 20 80 20 XX
S 25	PN 420	36	46	54	30	34.9	0 7 20 85 20 00	0 1 20 85 20 XX
S 30	PN 420	41	50	62	35.5	58.8	0 7 20 90 20 00	0 1 20 90 20 XX
S 38	PN 420	50	60	72	41	103.1	0 7 20 95 20 00	0 1 20 95 20 XX

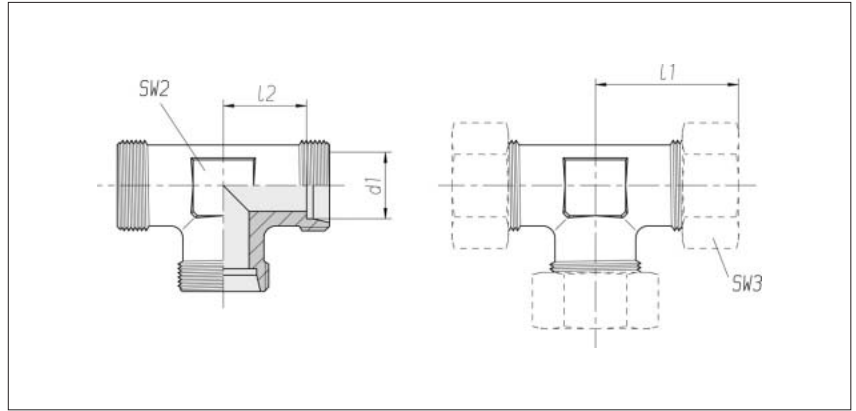
Special pressure stages apply in combination with the 2S cutting ring (refer to Page 48)

Supplementary to Order No. for complete fitting tube connection	Supplementary to Order No.
2S	07
ES-4	09
BV-10	Refer to the front page

* Apply to complete fittings with 2S or ES-4 tube connection components.
For BV-10 Refer to the front page.

** With union nut and 2S, ES-4 or BV-10 tube connection components

Stud branch tees



Series Tube OD d1	Pressure	SW2	SW3	l1* approx.	l2	kg/100 approx.	Order No. Single component	Order No. **
LL 4	PN 100	9	10	21	11	1.1	0 7 33 00 20 00	-
LL 6	PN 100	9	12	21	9.5	1.0	0 7 33 10 20 00	-
LL 8	PN 100	12	14	23	11.5	2.8	0 7 33 15 20 00	-
L 6	PN 500	12	14	27	12	3.5	0 7 34 00 20 00***	0 1 34 00 20 XX
L 8	PN 500	14	17	29	14	5.1	0 7 34 05 20 00	0 1 34 05 20 XX
L 10	PN 500	17	19	30	15	6.7	0 7 34 10 20 00	0 1 34 10 20 XX
L 12	PN 400	19	22	32	17	9.1	0 7 34 15 20 00	0 1 34 15 20 XX
L 15	PN 400	19	27	36	21	10.0	0 7 34 20 20 00	0 1 34 20 20 XX
L 18	PN 400	24	32	40	23.5	15.0	0 7 34 25 20 00	0 1 34 25 20 XX
L 22	PN 250	27	36	44	27.5	18.6	0 7 34 30 20 00	0 1 34 30 20 XX
L 28	PN 250	36	41	47	30.5	29.9	0 7 34 35 20 00	0 1 34 35 20 XX
L 35	PN 250	41	50	56	34.5	52.3	0 7 34 40 20 00	0 1 34 40 20 XX
L 42	PN 250	50	60	63	40	91.5	0 7 34 45 20 00	0 1 34 45 20 XX

Special pressure stages apply in combination with the 2S cutting ring (refer to Page 48)

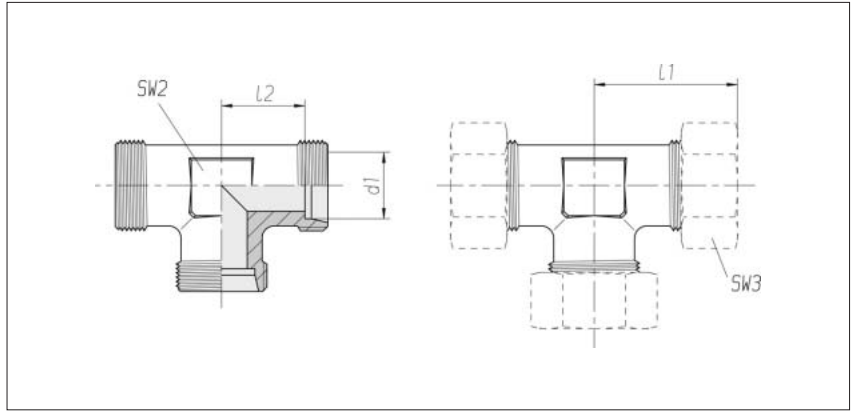
Supplementary to Order No. for complete fitting tube connection	Supplementary to Order No.
2S	07
ES-4	09
BV-10	Refer to the front page

* Apply to complete fittings with 2S or ES-4 tube connection components.
For BV-10 Refer to the front page.

** With union nut and 2S, ES-4 or BV-10 tube connection components

*** Sample product code, see: T06LX
ISO 8434-1-T-L6-St

Stud branch tees



Series Tube OD d1	Pressure	SW2	SW3	l1* approx.	l2	kg/100 approx.	Order No. Single component	Order No. **
S 6	PN 800	14	17	31	16	6.7	0 7 34 50 20 00***	0 1 34 50 20 XX
S 8	PN 800	17	19	32	17	9.1	0 7 34 55 20 00	0 1 34 55 20 XX
S 10	PN 800	19	22	34	17.5	11.5	0 7 34 60 20 00	0 1 34 60 20 XX
S 12	PN 630	22	24	38	21.5	17.3	0 7 34 65 20 00	0 1 34 65 20 XX
S 14	PN 630	19	27	40	22	13.1	0 7 34 70 20 00	0 1 34 70 20 XX
S 16	PN 630	24	30	43	24.5	16.5	0 7 34 75 20 00	0 1 34 75 20 XX
S 20	PN 420	27	36	48	26.5	26.0	0 7 34 80 20 00	0 1 34 80 20 XX
S 25	PN 420	36	46	54	30	43.6	0 7 34 85 20 00	0 1 34 85 20 XX
S 30	PN 420	41	50	62	35.5	71.5	0 7 34 90 20 00	0 1 34 90 20 XX
S 38	PN 420	50	60	72	41	125.8	0 7 34 95 20 00	0 1 34 95 20 XX

Special pressure stages apply in combination with the 2S cutting ring (refer to Page 48)

Supplementary to Order No. for complete fitting
tube connection Supplementary to Order No.

2S	07
ES-4	09
BV-10	Refer to the front page

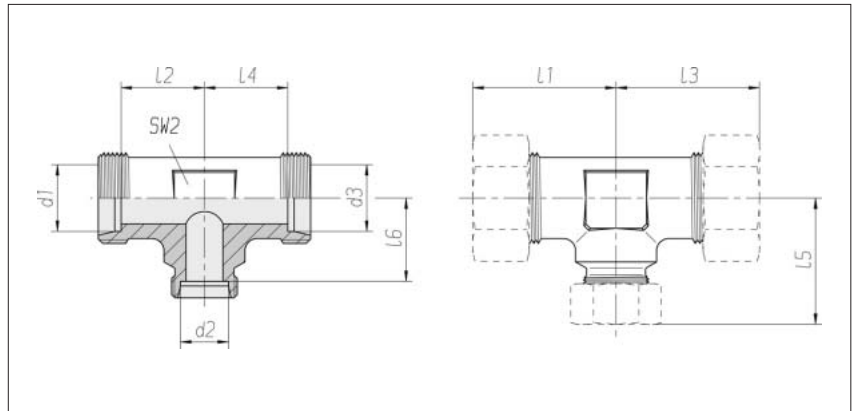
* Apply to complete fittings with 2S or ES-4 tube connection components.
For BV-10 Refer to the front page.

** With union nut and 2S, ES-4 or BV-10 tube connection components

*** Sample product code, see: T06SX
ISO 8434-1-T-S6-St

Branch reducing tees

Three-sided tube connection according to DIN 2353 / ISO 8434-1



Series	Pressure	d2	d3	SW2	l1* approx.	l2	l3* approx.	l4	l5* approx.	l6	kg/100 approx.	Order No. Single component	Order No. **
LL 4	PN 100	8	4	12	22.5	13	22.5	13	24	11.5	3.1	0 7 33 89 20 00	-
L 6	PN 500	8	6	14	28.5	14	28.5	14	29	14	5.1	0 7 99 77 20 00	0 1 99 77 20 07
L 6	PN 500	10	6	17	29.5	15	29.5	15	30	15	6.6	0 7 99 56 20 00	0 1 99 56 20 07
L 8	PN 500	6	8	14	29	14	29	14	28.5	14	5.2	0 7 34 06 20 00	0 1 34 06 20 07
L 8	PN 500	10	8	17	30	15	30	15	30	15	6.9	0 7 99 76 20 00	0 1 99 76 20 07
L 8	PN 400	12	8	19	32	17	32	17	31.5	17	9.7	0 7 99 51 20 00	0 1 99 51 20 07
L 8	PN 500	8	6	14	29	14	28.5	14	29	14	5.0	0 7 99 59 20 00	0 1 99 59 20 07
L 10	PN 500	6	10	17	30	15	30	15	29.5	15	6.6	0 7 34 12 20 00**	0 1 34 12 20 07
L 10	PN 500	8	10	17	30	15	30	15	30	15	6.7	0 7 34 11 20 00	0 1 34 11 20 07
L 10	PN 500	10	6	17	30	15	29.5	15	30	15	6.5	0 7 33 54 20 00***	0 1 33 54 20 07
L 10	PN 400	12	10	19	32	17	32	17	31.5	17	8.9	0 7 99 52 20 00	0 1 99 52 20 07
L 10	PN 400	15	10	19	36	21	36	21	36	21	10.5	0 7 99 46 20 00	0 1 99 46 20 07
L 12	PN 400	6	12	19	31.5	17	31.5	17	31.5	17	9.4	0 7 34 18 20 00	0 1 34 18 20 07
L 12	PN 400	8	8	19	31.5	17	32	17	32	17	9.3	0 7 99 93 20 00	0 1 99 93 20 07
L 12	PN 400	8	12	19	31.5	17	31.5	17	32	17	9.3	0 7 34 17 20 00	0 1 34 17 20 07
L 12	PN 400	10	10	19	31.5	17	32	17	32	17	9.2	0 7 97 32 20 00	0 1 97 32 20 07
L 12	PN 400	10	12	19	31.5	17	31.5	17	32	17	9.0	0 7 34 16 20 00	0 1 34 16 20 07
L 12	PN 400	12	10	19	31.5	17	32	17	31.5	17	9.1	0 7 99 55 20 00	0 1 99 55 20 07
L 12	PN 400	12	8	19	31.5	17	32	17	31.5	17	9.2	0 7 99 54 20 00	0 1 99 54 20 07
L 12	PN 400	15	12	19	35.5	21	35.5	21	36	21	9.9	0 7 99 47 20 00	0 1 99 47 20 07
L 12	PN 400	18	12	24	38.5	24	38.5	24	40	23.5	15.5	0 7 99 38 20 00	0 1 99 38 20 07

Continuation on page 104

Special pressure stages apply in combination with the 2S cutting ring (refer to Page 48)

Supplementary to Order No. for complete fitting tube connection	Supplementary to Order No.
2S	07
ES-4	09
BV-10	Refer to the front page

* Apply to complete fittings with 2S or ES-4 tube connection components.
For BV-10 Refer to the front page.

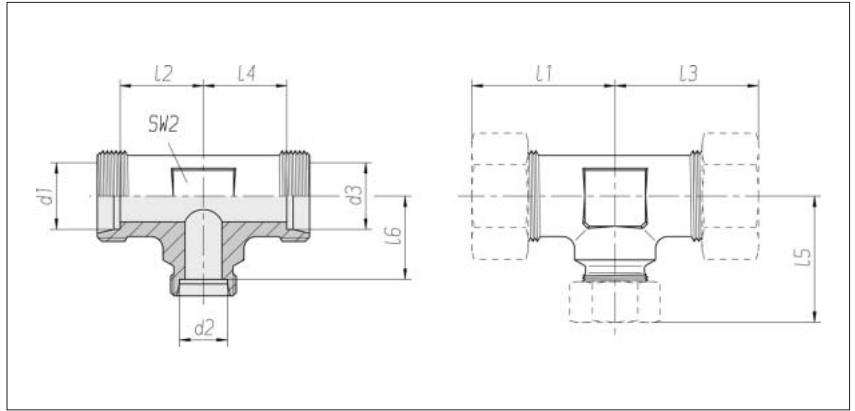
** With union nut and 2S, ES-4 or BV-10 tube connection components

*** Sample product code, see: TR10/06/10LX
ISO 8434-1-RDBT-L10xL6xL10-St

**** TR10/10/06LX
ISO 8434-1-RDRT-L10xL10xL6-St

Branch reducing tees

Three-sided tube connection according to DIN 2353 / ISO 8434-1



Series Tube OD d1	Pressure	d2	d3	SW2	l1* approx.	l2	l3* approx.	l4	l5* approx.	l6	kg/100 approx.	Order No. Single component	Order No. **
L 15	PN 400	6	15	19	36	21	36	21	36	21	10.2	0 7 34 24 20 00	0 1 34 24 20 07
L 15	PN 400	10	10	19	36	21	36	21	36	21	9.9	0 7 99 49 20 00	0 1 99 49 20 07
L 15	PN 400	10	15	19	36	21	36	21	36	21	9.8	0 7 34 22 20 00	0 1 34 22 20 07
L 15	PN 400	12	12	19	36	21	35.5	21	35.5	21	9.9	0 7 97 61 20 00	0 1 97 61 20 07
L 15	PN 400	12	15	19	36	21	36	21	35.5	21	9.9	0 7 34 21 20 00	0 1 34 21 20 07
L 15	PN 400	15	12	19	36	21	35.5	21	36	21	9.9	0 7 97 73 20 00	0 1 97 73 20 07
L 15	PN 250	22	15	27	43	28	43	28	44	27.5	22.6	0 7 99 97 20 00	0 1 99 97 20 07

Continuation on page 105

Special pressure stages apply in combination with the 2S cutting ring (refer to Page 48)

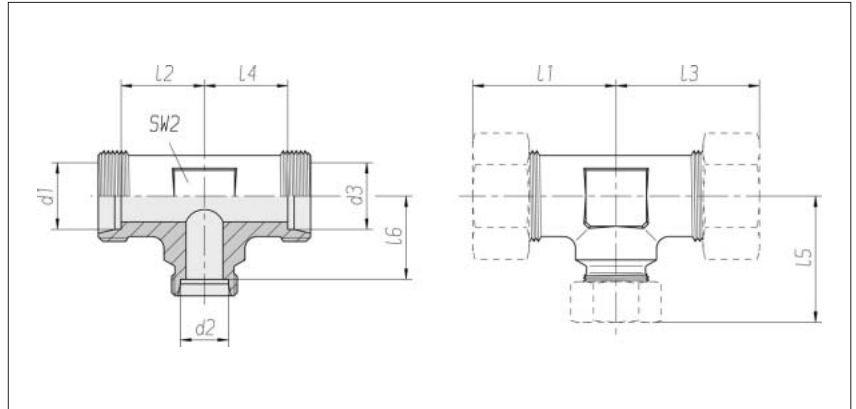
Supplementary to Order No. for complete fitting tube connection		Supplementary to Order No.
2S		07
ES-4		09
BV-10		Refer to the front page

* Apply to complete fittings with 2S or ES-4 tube connection components.
For BV-10 Refer to the front page.

** With union nut and 2S, ES-4 or BV-10 tube connection components

Branch reducing tees

Three-sided tube connection according to DIN 2353 / ISO 8434-1



3

Series Tube OD d1	Pressure	d2	d3	SW2	l1* approx.	l2	l3* approx.	l4	l5* approx.	l6	kg/100 approx.	Order No. Single component	Order No. **
L 18	PN 400	10	10	24	40	23.5	39	24	39	24	15.2	0 7 99 40 20 00	0 1 99 40 20 07
L 18	PN 400	10	18	24	40	23.5	40	23.5	39	24	15.4	0 7 34 28 20 00	0 1 34 28 20 07
L 18	PN 400	12	18	24	40	23.5	40	23.5	38.5	24	15.1	0 7 34 27 20 00	0 1 34 27 20 07
L 18	PN 400	15	18	24	40	23.5	40	23.5	39	24	15.4	0 7 34 26 20 00**	0 1 34 26 20 07
L 18	PN 400	18	10	24	40	23.5	39	24	40	23.5	15.1	0 7 99 42 20 00	0 1 99 42 20 07
L 18	PN 250	22	18	27	44	27.5	44	27.5	44	27.5	22.2	0 7 99 96 20 00	0 1 99 96 20 07
L 22	PN 250	10	22	27	44	27.5	44	27.5	43	28	20.4	0 7 34 34 20 00	0 1 34 34 20 07
L 22	PN 250	12	22	27	44	27.5	44	27.5	42.5	28	19.7	0 7 34 33 20 00	0 1 34 33 20 07
L 22	PN 250	15	15	27	44	28	43	27.5	43	28	21.2	0 7 99 36 20 00	0 1 99 36 20 07
L 22	PN 250	15	22	27	44	27.5	44	27.5	43	28	19.9	0 7 34 32 20 00	0 1 34 32 20 07
L 22	PN 250	18	18	27	44	27.5	44	27.5	44	27.5	21.2	0 7 33 56 20 00	0 1 33 56 20 07
L 22	PN 250	18	22	27	44	27.5	44	27.5	44	27.5	20.5	0 7 34 31 20 00	0 1 34 31 20 07
L 22	PN 250	22	18	27	44	27.5	44	27.5	44	27.5	19.8	0 7 33 65 20 00	0 1 33 65 20 07

Continuation on page 106

Special pressure stages apply in combination with the 2S cutting ring (refer to Page 48)

Supplementary to Order No. for complete fitting tube connection	Supplementary to Order No.
2S	07
ES-4	09
BV-10	Refer to the front page

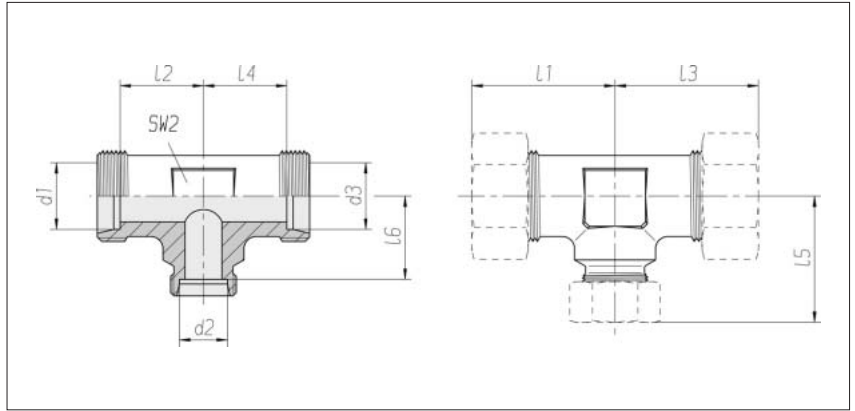
* Apply to complete fittings with 2S or ES-4 tube connection components.
For BV-10 Refer to the front page.

** With union nut and 2S, ES-4 or BV-10 tube connection components

*** Sample product code, see:
TR18/15/18LX
ISO 8434-1-RDBT-L18xL15xL18-St

Branch reducing tees

Three-sided tube connection according to DIN 2353 / ISO 8434-1



Series Tube OD d1	Pressure	d2	d3	SW2	l1* approx.	l2	l3* approx.	l4	l5* approx.	l6	kg/100 approx.	Order No. Single component	Order No. **
L 28	PN 250	10	28	36	47	30.5	47	30.5	46	31	31.8	0 7 99 31 20 00	0 1 99 31 20 07
L 28	PN 250	12	28	36	47	30.5	47	30.5	45.5	31	32.1	0 7 34 39 20 00	0 1 34 39 20 07
L 28	PN 250	15	28	36	47	30.5	47	30.5	46	31	32.3	0 7 34 38 20 00	0 1 34 38 20 07
L 28	PN 250	18	28	36	47	30.5	47	30.5	47	30.5	31.7	0 7 34 37 20 00	0 1 34 37 20 07
L 28	PN 250	22	22	36	47	30.5	47	30.5	47	30.5	32.3	0 7 96 35 20 00	0 1 96 35 20 07
L 28	PN 250	22	28	36	47	30.5	47	30.5	47	30.5	30.0	0 7 34 36 20 00	0 1 34 36 20 07
L 35	PN 250	28	35	41	56	34.5	56	34.5	54	37.5	54.0	0 7 34 41 20 00	0 1 34 41 20 07
L 42	PN 250	18	42	50	63	40	63	40	60	43.5	92.2	0 7 34 49 20 00	0 1 34 49 20 07
L 42	PN 250	28	42	50	63	40	63	40	60	43.5	97.4	0 7 34 47 20 00	0 1 34 47 20 07

Special pressure stages apply in combination with the 2S cutting ring (refer to Page 48)

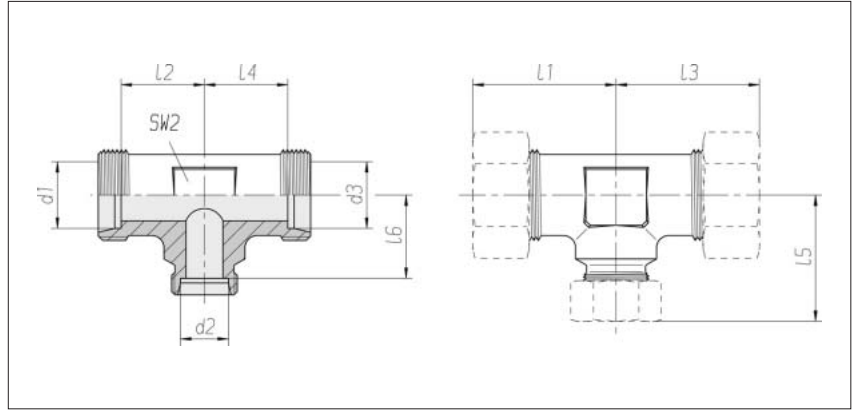
Supplementary to Order No. for complete fitting tube connection	Supplementary to Order No.
2S	07
ES-4	09
BV-10	Refer to the front page

* Apply to complete fittings with 2S or ES-4 tube connection components.
For BV-10 Refer to the front page.

** With union nut and 2S, ES-4 or BV-10 tube connection components

Branch reducing tees

Three-sided tube connection according to DIN 2353 / ISO 8434-1



Series Tube OD d1	Pressure	d2	d3	SW2	l1* approx.	l2	l3* approx.	l4	l5* approx.	l6	kg/100 approx.	Order No. Single component	Order No. **
S 10	PN 800	6	10	19	33.5	17.5	33.6	17.6	33	18	11.7	0 7 34 62 20 00***	0 1 34 62 20 XX
S 12	PN 630	8	8	22	37.5	21.5	37	22	37	22	16.9	0 7 99 30 20 00****	0 1 99 30 20 XX
S 12	PN 630	8	12	22	37.5	21.5	37.5	21.5	37	22	17.5	0 7 34 67 20 00	0 1 34 67 20 XX
S 12	PN 630	10	12	22	37.5	21.5	37.5	21.5	37.5	21.5	17.6	0 7 34 66 20 00	0 1 34 66 20 XX
S 12	PN 630	16	12	24	41.6	25.5	41.5	25.4	43	24.5	17.7	0 7 97 82 20 00	0 1 97 82 20 XX
S 16	PN 630	6	16	24	43	24.5	43	24.5	41	26	16.8	0 7 99 29 20 00	0 1 99 29 20 XX
S 16	PN 630	8	16	24	43	24.5	43	24.5	41	26	17.1	0 7 34 79 20 00	0 1 34 79 20 XX
S 16	PN 630	10	16	24	43	24.5	43	24.5	41.5	25.5	17.1	0 7 34 78 20 00	0 1 34 78 20 XX
S 16	PN 630	12	16	24	43	24.5	43	24.5	41.5	25.5	16.9	0 7 34 77 20 00	0 1 34 77 20 XX
S 16	PN 420	20	16	27	47	28.5	47	28.5	45	26.5	26.7	0 7 99 22 20 00	0 1 99 22 20 XX
S 20	PN 420	10	20	27	45	26.5	45	26.5	45.5	29.5	26.4	0 7 34 84 20 00	0 1 34 84 20 XX
S 20	PN 420	12	20	27	45	26.5	45	26.5	45.5	29.5	26.5	0 7 34 83 20 00	0 1 34 83 20 XX
S 20	PN 420	16	20	27	45	26.5	45	26.5	47	28.5	25.9	0 7 34 81 20 00	0 1 34 81 20 XX
S 20	PN 420	25	20	36	50	31.5	50	31.5	54	30	45.3	0 7 97 45 20 00	0 1 97 45 20 XX
S 25	PN 420	12	25	36	54	30	54	30	50.5	34.5	44.8	0 7 34 89 20 00	0 1 34 89 20 XX
S 25	PN 420	16	25	36	54	30	54	30	52	33.5	44.5	0 7 34 87 20 00	0 1 34 87 20 XX
S 25	PN 420	20	25	36	54	30	54	30	50	31.5	43.4	0 7 34 86 20 00	0 1 34 86 20 XX
S 25	PN 420	30	25	41	61	37	61	37	62	35.5	77.8	0 7 33 98 20 00	0 1 33 98 20 XX
S 38	PN 420	16	38	50	72	41	72	41	67	48.5	120.4	0 7 34 99 20 00	0 1 34 99 20 XX

Special pressure stages apply in combination with the 2S cutting ring (refer to Page 48)

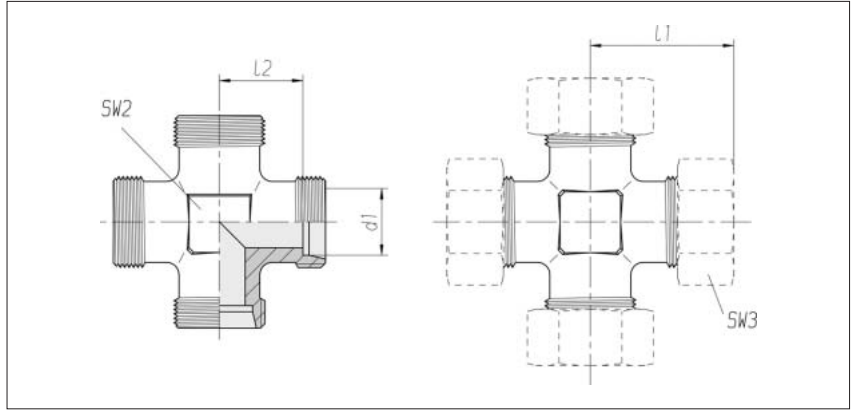
Supplementary to Order No. for complete fitting tube connection	Supplementary to Order No.
2S	07
ES-4	09
BV-10	Refer to the front page

* Apply to complete fittings with 2S or ES-4 tube connection components.
For BV-10 Refer to the front page.

** With union nut and 2S, ES-4 or BV-10 tube connection components

*** Sample product code, see: TR10/06/10SX ISO 8434-1-RDBT-S10xS06xS10-St
**** TR12/08/08SX ISO 8434-1-RDRT-S08xS08xS12-St

Cross couplings



Series	Pressure	SW2	SW3	l1* approx.	l2	kg/100 approx.	Order No. Single component	Order No. **
Tube OD								
d1								
LL 4	PN 100	12	10	21	11	2.1	0 7 35 00 20 00	-
LL 6	PN 100	12	12	21	9.5	2.3	0 7 35 10 20 00	-
LL 8	PN 100	12	14	23	11.5	2.7	0 7 35 15 20 00	-
L 6	PN 315	12	14	27	12	3.9	0 7 36 00 20 00***	0 1 36 00 20 XX
L 8	PN 315	12	17	29	14	4.6	0 7 36 05 20 00	0 1 36 05 20 XX
L 10	PN 315	14	19	30	15	5.2	0 7 36 10 20 00	0 1 36 10 20 XX
L 12	PN 315	17	22	32	17	8.2	0 7 36 15 20 00	0 1 36 15 20 XX
L 15	PN 315	19	27	36	21	12.7	0 7 36 20 20 00	0 1 36 20 20 XX
L 18	PN 315	24	32	40	23.5	18.8	0 7 36 25 20 00	0 1 36 25 20 XX
L 22	PN 160	27	36	44	27.5	21.0	0 7 36 30 20 00	0 1 36 30 20 XX
L 28	PN 160	36	41	47	30.5	34.6	0 7 36 35 20 00	0 1 36 35 20 XX
L 35	PN 160	41	50	56	34.5	62.3	0 7 36 40 20 00	0 1 36 40 20 XX
L 42	PN 160	50	60	63	40	94.5	0 7 36 45 20 00	0 1 36 45 20 XX
S 6	PN 630	12	17	31	16	6.6	0 7 36 50 20 00	0 1 36 50 20 XX
S 8	PN 630	14	19	32	17	8.1	0 7 36 55 20 00	0 1 36 55 20 XX
S 10	PN 630	17	22	34	17.5	10.7	0 7 36 60 20 00	0 1 36 60 20 XX
S 12	PN 630	17	24	38	21.5	14.9	0 7 36 65 20 00	0 1 36 65 20 XX
S 14	PN 630	19	27	40	22	15.8	0 7 36 70 20 00	0 1 36 70 20 XX
S 16	PN 400	24	30	43	24.5	23.3	0 7 36 75 20 00	0 1 36 75 20 XX
S 20	PN 400	27	36	48	26.5	29.4	0 7 36 80 20 00	0 1 36 80 20 XX
S 25	PN 400	36	46	54	30	51.9	0 7 36 85 20 00	0 1 36 85 20 XX
S 30	PN 400	41	50	62	35.5	89.0	0 7 36 90 20 00	0 1 36 90 20 XX
S 38	PN 315	50	60	72	41	140.3	0 7 36 95 20 00	0 1 36 95 20 XX

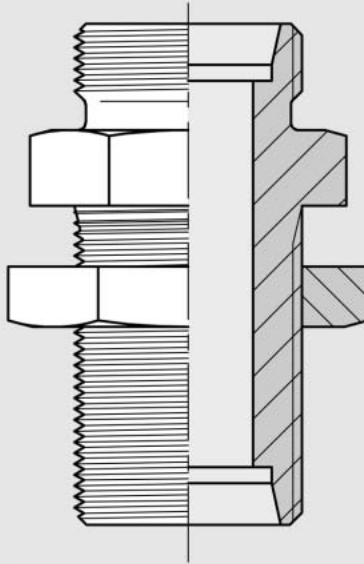
Supplementary to Order No. for complete fitting tube connection	Supplementary to Order No.
2S	07
ES-4	09
BV-10	Refer to the front page

* Apply to complete fittings with 2S or ES-4 tube connection components.
For BV-10 Refer to the front page.

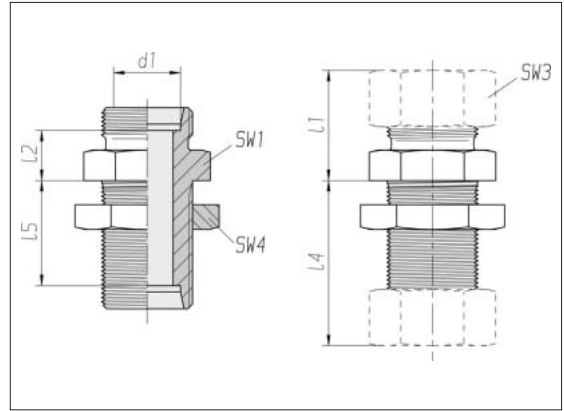
** With union nut and 2S, ES-4 or BV-10 tube connection components

*** Sample product code, see:
K06LX
ISO 8434-1-K-L6-St

Bulkhead couplings



Straight bulkhead couplings



Series Tube OD d1	Pressure	SW1	SW3	SW4	l1* approx.	l2	l4* approx.	l5	kg/100 approx.	Order No. Single component	Order No. **
L 6	PN 500	17	14	17	22	7	42	27	3.8	0 1 37 00 20 66***	0 1 37 00 20 XX
L 8	PN 500	19	17	19	23	8	42	27	4.9	0 1 37 05 20 66	0 1 37 05 20 XX
L 10	PN 500	22	19	22	25	10	43	28	6.6	0 1 37 10 20 66	0 1 37 10 20 XX
L 12	PN 400	24	22	24	25	10	44	29	7.6	0 1 37 15 20 66	0 1 37 15 20 XX
L 15	PN 400	27	27	30	27	12	46	31	12.8	0 1 37 20 20 66	0 1 37 20 20 XX
L 18	PN 400	32	32	36	30	13.5	49	32.5	19.9	0 1 37 25 20 66	0 1 37 25 20 XX
L 22	PN 250	36	36	41	33	16.5	51	34.5	24.8	0 1 37 30 20 66	0 1 37 30 20 XX
L 28	PN 250	41	41	46	35	18.5	52	35.5	33.8	0 1 37 35 20 66	0 1 37 35 20 XX
L 35	PN 250	50	50	55	40	18.5	58	36.5	53.9	0 1 37 40 20 66	0 1 37 40 20 XX
L 42	PN 250	60	60	65	42	19	59	36	75.6	0 1 37 45 20 66	0 1 37 45 20 XX
S 6	PN 800	19	17	19	27	12	44	29	6.5	0 1 37 50 20 66	0 1 37 50 20 XX
S 8	PN 800	22	19	22	28	13	44	29	8.7	0 1 37 55 20 66	0 1 37 55 20 XX
S 10	PN 800	24	22	24	31	14.5	46	29.5	11.0	0 1 37 60 20 66	0 1 37 60 20 XX
S 12	PN 630	27	24	27	31	14.5	47	30.5	13.9	0 1 37 65 20 66	0 1 37 65 20 XX
S 14	PN 630	30	27	30	35	17	50	32	17.8	0 1 37 70 20 66	0 1 37 70 20 XX
S 16	PN 630	32	30	32	35	16.5	50	31.5	19.7	0 1 37 75 20 66	0 1 37 75 20 XX
S 20	PN 420	41	36	41	39	17.5	55	33.5	34.5	0 1 37 80 20 66	0 1 37 80 20 XX
S 25	PN 420	46	46	46	44	20	59	35	49.2	0 1 37 85 20 66	0 1 37 85 20 XX
S 30	PN 420	50	50	50	48	21.5	64	37.5	61.7	0 1 37 90 20 66	0 1 37 90 20 XX
S 38	PN 420	65	60	65	53	22	68	37	108.0	0 1 37 95 20 66	0 1 37 95 20 XX

Special pressure stages apply in combination with the 2S cutting ring (refer to Page 48)

Supplementary to Order No. for complete fitting	
tube connection	Supplementary to Order No.
2S	07
ES-4	09
BV-10	Refer to the front page

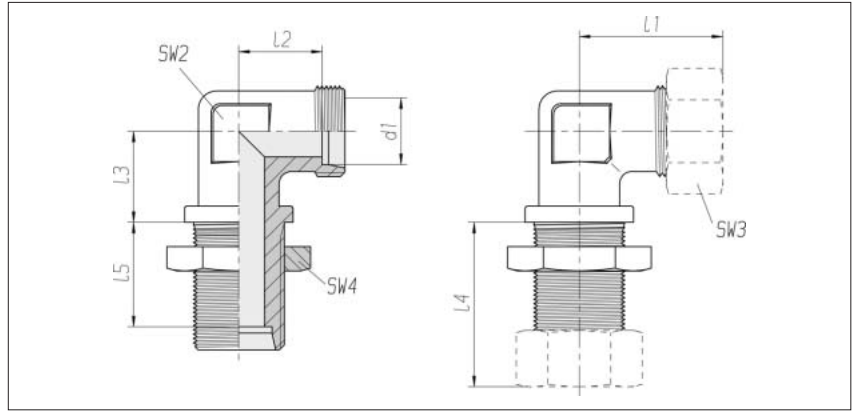
Max. bulkhead wall thickness 16 mm

* Apply to complete fittings with 2S or ES-4 tube connection components.
For BV-10 Refer to the front page.

** With union nut and 2S, ES-4 or BV-10 tube connection components

*** Sample product code, see: SV06LOMD
ISO 8434-1-BHSLN-L6-St

Elbow bulkhead couplings



Series	Pressure	SW2	SW3	SW4	I1* approx.	I2	I3	I4* approx.	I5	kg/100 approx.	Order No. Single component	Order No. **
L 6	PN 315	12	14	17	27	12	14	42	27	4.9	0 1 38 00 20 66***	0 1 38 00 20 XX
L 8	PN 315	12	17	19	29	14	17	42	27	6.1	0 1 38 05 20 66	0 1 38 05 20 XX
L 10	PN 315	14	19	22	30	15	18	43	28	7.9	0 1 38 10 20 66	0 1 38 10 20 XX
L 12	PN 315	17	22	24	32	17	20	44	29	9.6	0 1 38 15 20 66	0 1 38 15 20 XX
L 15	PN 315	19	27	30	36	21	23	46	31	16.9	0 1 38 20 20 66	0 1 38 20 20 XX
L 18	PN 315	24	32	36	40	23.5	24	49	32.5	25.5	0 1 38 25 20 66	0 1 38 25 20 XX
L 22	PN 160	27	36	41	44	27.5	30	51	34.5	31.8	0 1 38 30 20 66	0 1 38 30 20 XX
L 28	PN 160	36	41	46	47	30.5	34	52	35.5	46.2	0 1 38 35 20 66	0 1 38 35 20 XX
L 35	PN 160	41	50	55	56	34.5	39	58	36.5	76.9	0 1 38 40 20 66	0 1 38 40 20 XX
L 42	PN 160	50	60	65	63	40	43	59	36	112.3	0 1 38 45 20 66	0 1 38 45 20 XX
S 6	PN 630	12	17	19	31	16	17	44	29	7.6	0 1 38 50 20 66	0 1 38 50 20 XX
S 8	PN 630	14	19	22	32	17	18	44	29	10.2	0 1 38 55 20 66	0 1 38 55 20 XX
S 10	PN 630	17	22	24	34	17.5	20	46	29.5	12.4	0 1 38 60 20 66	0 1 38 60 20 XX
S 12	PN 630	17	24	27	38	21.5	21	47	30.5	16.0	0 1 38 65 20 66	0 1 38 65 20 XX
S 14	PN 630	19	27	30	40	22	23	50	32	19.6	0 1 38 70 20 66	0 1 38 70 20 XX
S 16	PN 400	24	30	32	43	24.5	24	50	31.5	23.8	0 1 38 75 20 66	0 1 38 75 20 XX
S 20	PN 400	27	36	41	48	26.5	30	55	33.5	39.9	0 1 38 80 20 66	0 1 38 80 20 XX
S 25	PN 400	36	46	46	54	30	34	59	35	60.9	0 1 38 85 20 66	0 1 38 85 20 XX
S 30	PN 400	41	50	50	62	35.5	39	64	37.5	93.2	0 1 38 90 20 66	0 1 38 90 20 XX
S 38	PN 315	50	60	65	72	41	43	68	37	144.9	0 1 38 95 20 66	0 1 38 95 20 XX

Supplementary to Order No. for complete fitting tube connection	Supplementary to Order No.
2S	07
ES-4	09
BV-10	Refer to the front page

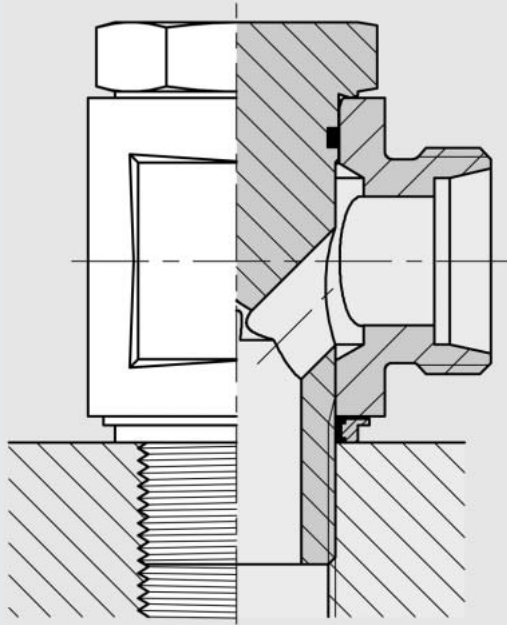
Max. bulkhead wall thickness 16 mm

* Apply to complete fittings with 2S or ES-4 tube connection components.
For BV-10 Refer to the front page.

** With union nut and 2S, ES-4 or BV-10 tube connection components

*** Sample product code, see: WSV06LOMD
ISO 8434-1-BHELN-L6-St

Banjo and rotary couplings

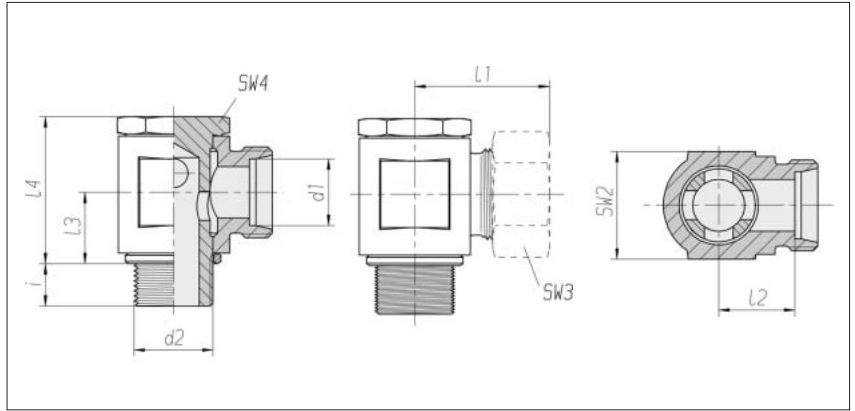


Banjo couplings

Standard design

Thread:
metric fine thread,
straight

With metallic seal-edge ring
for DIN 3852 / ISO 9974
d4 narrow swivel angle ***



Series	Pressure	d2	SW2	SW3	SW4	I1	I2	I3	I4	i	Nm	kg/100	Order No.	Order No.
Tube OD						approx.					-10 %	approx.	Single component	*
d1														
LL 4	PB 100	M 8 x 1	12	10	12	21	10.5	8	18.5	6	10	2.0	1 1 50 00 20 81	-
LL 6	PB 100	M 10 x 1	14	12	14	22	10	9	20.5	6	15	2.7	1 1 50 10 20 81	-
LL 8	PB 100	M 10 x 1	14	14	14	23	11	10	22.5	6	15	3.1	1 1 50 15 20 81	-
L 6	PB 250	M 10 x 1	14	14	14	25	10.5	10	23.5	6	20	3.6	1 1 51 00 20 81**	1 1 51 00 20 07
L 8	PB 250	M 12 x 1.5	17	17	17	28	13	12	27	9	30	5.5	1 1 51 05 20 81	1 1 51 05 20 07
L 10	PB 250	M 14 x 1.5	19	19	19	29	14	13	28	9	45	6.8	1 1 51 10 20 81	1 1 51 10 20 07
L 12	PB 250	M 16 x 1.5	22	22	22	30	15.5	15	33	9	65	10.1	1 1 51 15 20 81	1 1 51 15 20 07
L 12	PB 250	M 18 x 1.5	24	22	24	31	16.5	18.5	38	9	90	13.0	1 1 51 17 20 81	1 1 51 17 20 07
L 15	PB 250	M 18 x 1.5	24	27	24	33	17.5	18.5	38	9	90	13.4	1 1 51 20 20 81	1 1 51 20 20 07
L 18	PB 160	M 22 x 1.5	30	32	27	36.5	20	22	44	11	100	21.1	1 1 51 25 20 81	1 1 51 25 20 07
L 22	PB 160	M 26 x 1.5	36	36	32	41.5	25	24.5	48	13	150	31.3	1 1 51 30 20 81	1 1 51 30 20 07
S 6	PB 250	M 12 x 1.5	17	17	17	29	14	12	27	9	30	6.0	1 1 51 50 20 81	1 1 51 50 20 07
S 8	PB 250	M 14 x 1.5	19	19	19	30	15	13	28	9	45	7.7	1 1 51 55 20 81	1 1 51 55 20 07
S 10	PB 250	M 16 x 1.5	22	22	22	32	16	15	33	9	70	11.2	1 1 51 60 20 81	1 1 51 60 20 07
S 12	PB 250	M 18 x 1.5	24	24	24	33	17	16.5	35	9	90	14.0	1 1 51 65 20 81	1 1 51 65 20 07
S 14	PB 250	M 20 x 1.5	27	27	27	38	20	18.5	39	11	110	18.6	1 1 51 70 20 81	1 1 51 70 20 07
S 16	PB 160	M 22 x 1.5	30	30	27	40	21	20.5	42	11	100	21.9	1 1 51 75 20 81	1 1 51 75 20 07
S 20	PB 160	M 27 x 2	36	36	32	46	24	23.5	48	13	150	35.1	1 1 51 80 20 81	1 1 51 80 20 07

* With union nut and 2S cutting ring

** Sample product code, see:
SWVE06LMOMD

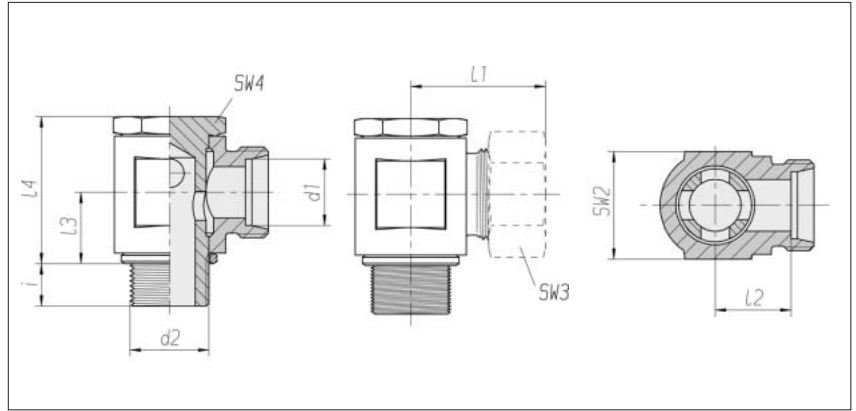
*** With elastomer sealing ring (KDS)
on the thread on request

Banjo couplings

Standard design

Thread:
Whitworth pipe thread,
straight

With metallic seal-edge ring
for DIN 3852 / ISO 1179
d4 narrow swivel angle ***



Series	Pressure	d2	SW2	SW3	SW4	l1 approx.	l2	l3	l4	i	Nm -10 %	kg/100 approx.	Order No. Single component	Order No. *
Tube OD d1														
LL 4	PB 100	G 1/8 A	14	10	14	22	11.5	8	18.5	6	15	2.5	1 1 52 00 20 81	-
LL 6	PB 100	G 1/8 A	14	12	14	22	10	9	20.5	6	15	2.7	1 1 52 10 20 81	-
LL 8	PB 100	G 1/8 A	14	14	14	23	11	10	22.5	6	15	3.1	1 1 52 15 20 81	-
L 6	PB 250	G 1/8 A	14	14	14	25	10.5	10	23.5	6	20	3.5	1 1 53 00 20 81**	1 1 53 00 20 07
L 8	PB 250	G 1/4 A	19	17	19	28	13	12	27	9	45	6.5	1 1 53 05 20 81	1 1 53 05 20 07
L 10	PB 250	G 1/4 A	19	19	19	29	14	13	28	9	50	6.8	1 1 53 10 20 81	1 1 53 10 20 07
L 12	PB 250	G 3/8 A	22	22	22	30	15.5	15.5	33	9	75	10.3	1 1 53 15 20 81	1 1 53 15 20 07
L 12	PB 250	G 1/2 A	27	22	27	32.5	18	19	38	11	110	16.8	1 1 53 17 20 81	1 1 53 17 20 07
L 15	PB 250	G 1/2 A	27	27	27	34.5	19	19	38	11	110	17.6	1 1 53 20 20 81	1 1 53 20 20 07
L 18	PB 160	G 1/2 A	30	32	27	36.5	20	22	44	11	100	20.2	1 1 53 25 20 81	1 1 53 25 20 07
L 22	PB 160	G 3/4 A	36	36	32	41.5	25	24	48	13	150	31.8	1 1 53 30 20 81	1 1 53 30 20 07
S 6	PB 250	G 1/4 A	19	17	19	30	15	12	27	9	45	7.3	1 1 53 50 20 81	1 1 53 50 20 07
S 8	PB 250	G 1/4 A	19	19	19	30	15	13	28	9	50	7.4	1 1 53 55 20 81	1 1 53 55 20 07
S 10	PB 250	G 3/8 A	22	22	22	32	16	15.5	33	9	70	11.1	1 1 53 60 20 81	1 1 53 60 20 07
S 12	PB 250	G 3/8 A	24	24	22	32	16	16.5	36	9	70	14.0	1 1 53 65 20 81	1 1 53 65 20 07
S 14	PB 250	G 1/2 A	27	27	27	38	20	19	38.5	11	115	18.4	1 1 53 70 20 81	1 1 53 70 20 07
S 16	PB 160	G 1/2 A	30	30	27	39.5	21	20.5	42	11	100	22.0	1 1 53 75 20 81	1 1 53 75 20 07
S 20	PB 160	G 3/4 A	36	36	32	45.5	24	24	48	13	150	34.6	1 1 53 80 20 81	1 1 53 80 20 07

* With union nut and 2S cutting ring

** Sample product code, see:
SWWE06LROMD

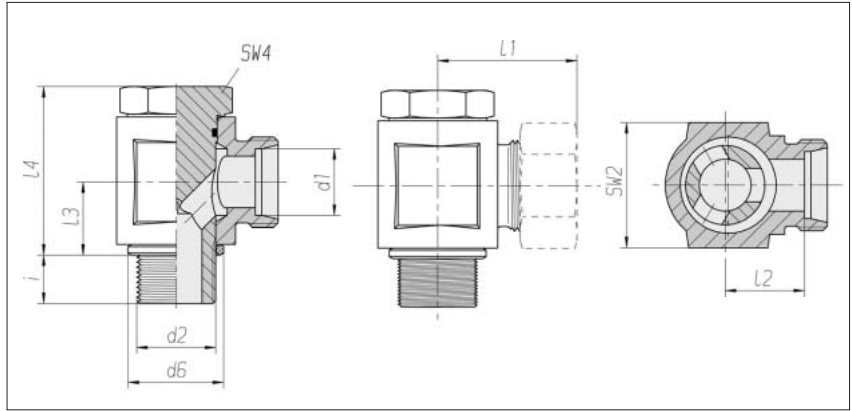
*** With elastomer sealing ring (KDS)
on the thread on request

Banjo couplings

Low-restrictive design with eccentric flow channel

Thread:
metric fine thread,
straight

With seal-edge ring for
DIN 3852 / ISO 9974
d4 narrow swivel angle



Series	Pressure	d2	d6	SW2	SW4	I1	I2	I3	I4	i	Nm	kg/100	Order No.	Order No..
Tube OD						approx.					-10 %	approx.	Single component *	*
d1														
L 6	PB 500	M 10 x 1	14	19	14	27	12	10.5	25.3	8	30	5.1	1 1 55 00 20 81**	1 1 55 00 20 07
L 8	PB 400	M 12 x 1.5	17	22	17	29.5	14.5	14	31.5	12	42	9.5	1 1 55 05 20 81	1 1 55 05 20 07
L 10	PB 350	M 14 x 1.5	19	22	19	30.5	15.5	14	33	12	42	9.9	1 1 55 10 20 81	1 1 55 10 20 07
L 12	PB 350	M 16 x 1.5	21	27	22	33	18	16.5	38.5	12	60	16.3	1 1 55 15 20 81	1 1 55 15 20 07
L 12	PB 315	M 18 x 1.5	23	30	24	35	20	18.5	42.5	12	70	20.7	1 1 55 17 20 81	1 1 55 17 20 07
L 15	PB 315	M 18 x 1.5	23	30	24	36	21	18.5	42.5	12	70	21.6	1 1 55 20 20 81	1 1 55 20 20 07
L 15	PB 315	M 22 x 1.5	27	36	27	37	22	21.5	47.5	14	160	29.8	1 1 55 22 20 81	1 1 55 22 20 07
L 18	PB 315	M 22 x 1.5	27	36	27	38	21.5	21.5	47.5	14	160	29.8	1 1 55 25 20 81	1 1 55 25 20 07
L 22	PB 200	M 26 x 1.5	31	41	32	42.5	26	24	55.5	16	140	46.4	1 1 55 30 20 81	1 1 55 30 20 07
L 28	PB 200	M 33 x 2	39	50	41	48	31.5	30.5	68	18	350	88.3	1 1 55 35 20 81	1 1 55 35 20 07
L 35	PB 200	M 42 x 2	49	60	50	57	35.5	35.5	78	20	500	145.6	1 1 55 40 20 81	1 1 55 40 20 07
L 42	PB 200	M 48 x 2	55	70	60	63	40	40.5	88.5	22	600	215.4	1 1 55 45 20 81	1 1 55 45 20 07
S 6	PB 500	M 12 x 1.5	17	22	17	31.5	16.5	14	30.5	12	57	9.9	1 1 55 50 20 81	1 1 55 50 20 07
S 8	PB 450	M 14 x 1.5	19	22	19	31.5	16.5	14	31	12	90	10.9	1 1 55 55 20 81	1 1 55 55 20 07
S 10	PB 400	M 16 x 1.5	21	27	22	35	18.5	16.5	37	12	100	17.0	1 1 55 60 20 81	1 1 55 60 20 07
S 12	PB 400	M 18 x 1.5	23	30	24	37	20.5	18.5	40	12	130	22.9	1 1 55 65 20 81	1 1 55 65 20 07
S 14	PB 400	M 20 x 1.5	25	32	27	41	23	20	43	14	160	28.5	1 1 55 70 20 81	1 1 55 70 20 07
S 16	PB 400	M 22 x 1.5	27	36	27	41	22.5	21.5	47	14	180	32.0	1 1 55 75 20 81	1 1 55 75 20 07
S 20	PB 400	M 27 x 2	32	46	36	49	27.5	24	55	16	300	59.6	1 1 55 80 20 81	1 1 55 80 20 07
S 25	PB 250	M 33 x 2	39	50	41	55	31	30.5	66.5	18	380	94.8	1 1 55 85 20 81	1 1 55 85 20 07
S 30	PB 250	M 42 x 2	49	60	50	63	36.5	35.5	75.5	20	600	154.0	1 1 55 90 20 81	1 1 55 90 20 07
S 38	PB 250	M 48 x 2	55	70	60	72	41	40.5	86.5	22	750	231.7	1 1 55 95 20 81	1 1 55 95 20 07

* With union nut and 2S cutting ring

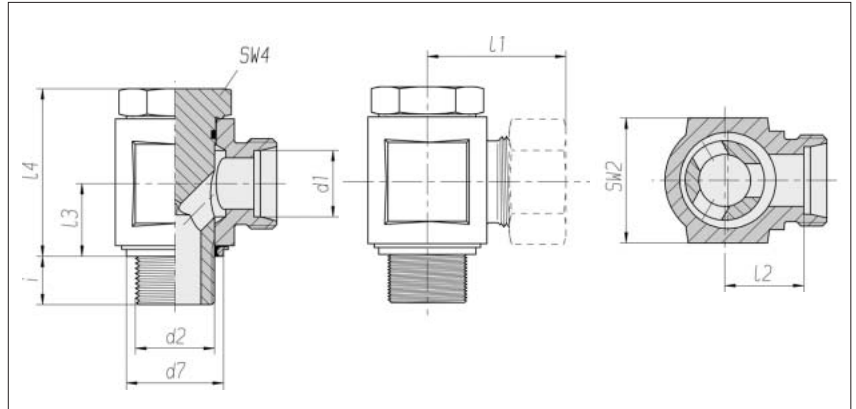
** Sample product code, see:
WH06LMOMD

Banjo couplings

Low-restrictive design
with eccentric flow channel

Thread:
metric fine thread,
straight

With soft seal
for DIN 3852 /
ISO 9974
d4 narrow swivel angle



Series	Pressure	d2	d7	SW2	SW4	l1*	l2	l3	l4	i	Nm	kg/100	Order No.	Order No.
Tube OD						approx.					-10 %	approx.	Single component	**
d1														
L 6	PB 500	M 10 x 1	14.9	19	14	27	12	10.5	25.3	8	30	5.1	1 1 55 01 20 81***	1 1 55 01 20 XX
L 8	PB 400	M 12 x 1.5	17	22	17	29.5	14.5	14	31.5	12	42	9.4	1 1 55 06 20 81	1 1 55 06 20 XX
L 10	PB 350	M 14 x 1.5	18.9	22	19	30.5	15.5	14	33	12	42	7.9	1 1 55 11 20 81	1 1 55 11 20 XX
L 12	PB 350	M 16 x 1.5	21.9	27	22	33	18	16.5	38.5	12	60	16.3	1 1 55 16 20 81	1 1 55 16 20 XX
L 12	PB 315	M 18 x 1.5	23.9	30	24	35	20	18.5	42.5	12	70	20.5	1 1 56 80 20 81	1 1 56 80 20 XX
L 15	PB 315	M 18 x 1.5	23.9	30	24	36	21	18.5	42.5	12	70	21.6	1 1 55 21 20 81	1 1 55 21 20 XX
L 15	PB 315	M 22 x 1.5	30	36	27	37	22	21.5	47.5	14	160	29.7	1 1 56 82 20 81	1 1 55 82 20 XX
L 18	PB 315	M 22 x 1.5	26.9	36	27	38	21.5	21.5	47.5	14	160	29.9	1 1 55 26 20 81	1 1 55 26 20 XX
L 22	PB 200	M 26 x 1.5	31.9	41	32	42.5	26	24	55.5	16	140	46.5	1 1 55 31 20 81	1 1 55 31 20 XX
L 28	PB 200	M 33 x 2	39.9	50	41	48	31.5	30.5	68	18	350	87.8	1 1 55 36 20 81	1 1 55 36 20 XX
L 35	PB 200	M 42 x 2	49.9	60	50	57	35.5	35.5	78	20	500	147.4	1 1 55 41 20 81	1 1 55 41 20 XX
L 42	PB 200	M 48 x 2	55.9	70	60	63	40	40.5	88.5	22	600	216.9	1 1 55 46 20 81	1 1 55 46 20 XX
S 6	PB 500	M 12 x 1.5	17	22	17	31.5	16.5	14	30.5	12	57	9.9	1 1 55 51 20 81	1 1 55 51 20 XX
S 8	PB 450	M 14 x 1.5	18.9	22	19	31.5	16.5	14	31	12	90	10.9	1 1 55 56 20 81	1 1 55 56 20 XX
S 10	PB 400	M 16 x 1.5	21.9	27	22	35	18.5	16.5	37	12	100	17.4	1 1 55 61 20 81	1 1 55 61 20 XX
S 12	PB 400	M 18 x 1.5	23.9	30	24	37	20.5	18.5	40	12	130	22.9	1 1 55 66 20 81	1 1 55 66 20 XX
S 16	PB 400	M 22 x 1.5	26.9	36	27	41	22.5	21.5	47	14	180	32.0	1 1 55 76 20 81	1 1 55 76 20 XX
S 20	PB 400	M 27 x 2	32.9	46	36	49	27.5	24	55	16	300	59.7	1 1 55 81 20 81	1 1 55 81 20 XX
S 25	PB 250	M 33 x 2	39.9	50	41	55	31	30.5	66.5	18	380	93.4	1 1 55 86 20 81	1 1 55 86 20 XX
S 30	PB 250	M 42 x 2	49.9	60	50	63	36.5	35.5	75.5	20	600	157.3	1 1 55 91 20 81	1 1 55 91 20 XX
S 38	PB 250	M 48 x 2	55.9	70	60	72	41	40.5	86.5	22	750	232.8	1 1 55 96 20 81	1 1 55 96 20 XX

Supplementary to Order No. for complete fitting tube connection	Supplementary to Order No.
2S	07
ES-4	09
BV-10	Refer to the front page

* Apply to complete fittings with
2S or ES-4 tube connection
components.
For BV-10 Refer to the front page.

** With union nut and 2S, ES-4
or BV-10 tube connection
components

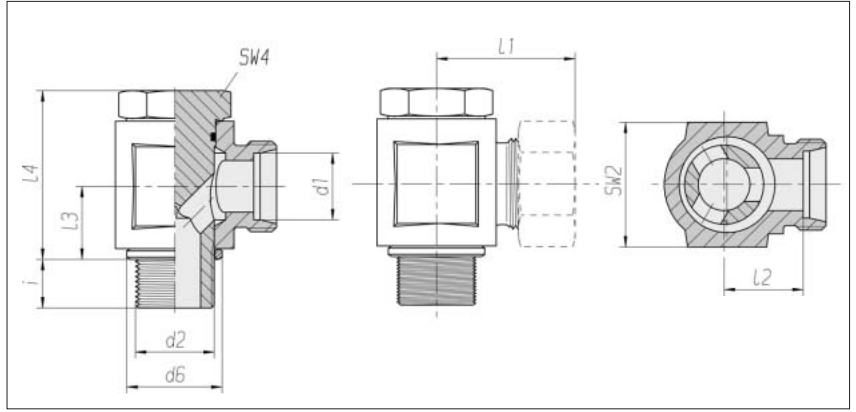
*** Sample product code, see:
WH06LMKDSOMD

Banjo couplings

Low-restrictive design with eccentric flow channel

Thread:
Whitworth pipe thread, straight

With seal-edge ring for DIN 3852 / ISO 1179 d4 narrow swivel angle



Series	Pressure	d2	d6	SW2	SW4	I1	I2	I3	I4	i	Nm	kg/100	Order No.	Order No.
Tube OD						approx.					-10 %	approx.	Single component	*
d1														
L 6	PB 500	G 1/8 A	14	19	14	27	12	10.5	25.3	8	25	5.0	1 1 57 00 20 81**	1 1 57 00 20 07
L 8	PB 400	G 1/4 A	18	22	19	29.5	14.5	14	31.5	12	40	10.0	1 1 57 05 20 81	1 1 57 05 20 07
L 10	PB 350	G 1/4 A	18	22	19	30.5	15.5	14	33	12	38	10.4	1 1 57 10 20 81	1 1 57 10 20 07
L 12	PB 350	G 3/8 A	22	27	22	33	18	16.5	38.5	12	75	16.5	1 1 57 15 20 81	1 1 57 15 20 07
L 12	PB 315	G 1/2 A	26	32	27	37	22	21.5	45.5	14	110	28.4	1 1 57 19 20 81	1 1 57 19 20 07
L 15	PB 315	G 1/2 A	26	32	27	37	22	21.5	45.5	14	110	28.7	1 1 57 20 20 81	1 1 57 20 20 07
L 18	PB 315	G 1/2 A	26	36	27	38	21.5	21.5	47.5	14	110	29.3	1 1 57 25 20 81	1 1 57 25 20 07
L 22	PB 200	G 3/4 A	32	46	36	45	28.5	24	56.5	16	160	56.3	1 1 57 30 20 81	1 1 57 30 20 07
L 28	PB 200	G 1 A	39	50	41	48	31.5	30.5	68	18	270	88.1	1 1 57 35 20 81	1 1 57 35 20 07
L 35	PB 200	G 1 1/4 A	49	60	50	57	35.5	35.5	78	20	500	147.9	1 1 57 40 20 81	1 1 57 40 20 07
L 42	PB 200	G 1 1/2 A	55	70	60	63	40	40.5	88.5	22	600	218.6	1 1 57 45 20 81	1 1 57 45 20 07
S 6	PB 500	G 1/4 A	18	22	19	31.5	16.5	14	30.5	12	53	10.3	1 1 57 50 20 81	1 1 57 50 20 07
S 8	PB 450	G 1/4 A	18	22	19	31.5	16.5	14	31	12	53	10.6	1 1 57 55 20 81	1 1 57 55 20 07
S 10	PB 400	G 3/8 A	22	27	22	35	18.5	16.5	37	12	120	17.3	1 1 57 60 20 81	1 1 57 60 20 07
S 12	PB 400	G 3/8 A	22	27	22	35	18.5	16.5	37.5	12	120	17.8	1 1 57 65 20 81	1 1 57 65 20 07
S 14	PB 400	G 1/2 A	26	32	27	41	23	21.5	43	14	160	29.1	1 1 57 70 20 81	1 1 57 70 20 07
S 16	PB 400	G 1/2 A	26	36	27	41	22.5	21.5	47	14	160	31.5	1 1 57 75 20 81	1 1 57 75 20 07
S 20	PB 400	G 3/4 A	32	46	36	49	27.5	24	55	16	330	59.4	1 1 57 80 20 81	1 1 57 80 20 07
S 25	PB 250	G 1 A	39	50	41	55	31	30.5	66.5	18	380	93.2	1 1 57 85 20 81	1 1 57 85 20 07
S 30	PB 250	G 1 1/4 A	49	60	50	63	36.5	35.5	75.5	20	600	156.7	1 1 57 90 20 81	1 1 57 90 20 07
S 38	PB 250	G 1 1/2 A	55	70	60	72	41	40.5	86.5	22	800	232.3	1 1 57 95 20 81	1 1 57 95 20 07

* With union nut and 2S cutting ring

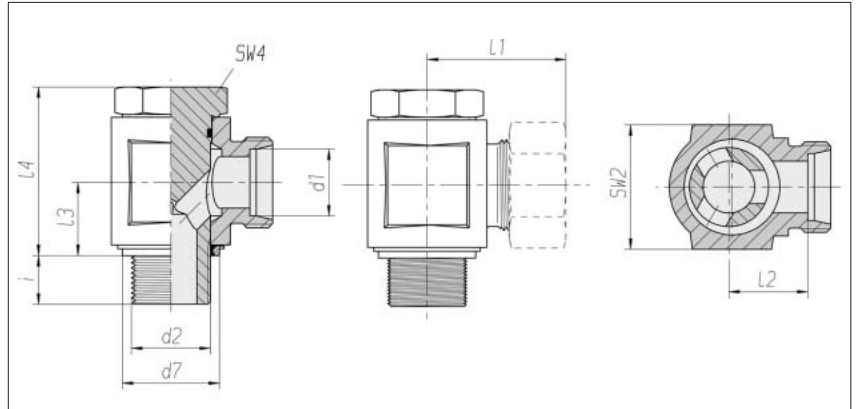
** Sample product code, see: WH06LROMD

Banjo couplings

Low-restrictive design with eccentric flow channel

Thread:
Whitworth pipe thread, straight

With soft seal
for DIN 3852 / ISO 1179
d4 narrow swivel angle



Series	Pressure	d2		d7	SW2	SW4	I1*	I2*	I3	I4	i	Nm	kg/100	Order No.	Order No.
Tube OD							approx.					-10 %	approx.	Single component	**
d1															
L 6	PB 500	G 1/8 A		14.9	19	14	27	12	10.5	25.3	8	25	5.0	1 1 57 01 20 81***1	1 1 57 01 20 XX
L 8	PB 400	G 1/4 A		18.9	22	19	29.5	14.5	14	31.5	12	40	9.8	1 1 57 06 20 81	1 1 57 06 20 XX
L 10	PB 350	G 1/4 A		18.9	22	19	30.5	15.5	14	33	12	38	10.1	1 1 57 11 20 81	1 1 57 11 20 XX
L 12	PB 350	G 3/8 A		21.9	27	22	33	18	16.5	38.5	12	75	16.2	1 1 57 16 20 81	1 1 57 16 20 XX
L 12	PB 315	G 1/2 A		30.0	32	27	37	22	21.5	45.5	14	110	27.7	1 1 56 81 20 81	1 1 56 81 20 XX
L 15	PB 315	G 1/2 A		26.9	32	27	37	22	21.5	45.5	14	110	28.4	1 1 57 21 20 81	1 1 57 21 20 XX
L 18	PB 315	G 1/2 A		26.9	36	27	38	21.5	21.5	47.5	14	110	29.6	1 1 57 26 20 81	1 1 57 26 20 XX
L 22	PB 200	G 3/4 A		32.9	46	36	45	28.5	24	56.5	16	160	56.8	1 1 57 31 20 81	1 1 57 31 20 XX
L 28	PB 200	G 1 A		39.9	50	41	48	31.5	30.5	68	18	270	86.6	1 1 57 36 20 81	1 1 57 36 20 XX
L 35	PB 200	G 1 1/4 A		49.9	60	50	57	35.5	35.5	78	20	500	146.6	1 1 57 41 20 81	1 1 57 41 20 XX
L 42	PB 200	G 1 1/2 A		55.9	70	60	63	40	40.5	88.5	22	600	214.5	1 1 57 46 20 81	1 1 57 46 20 XX
S 6	PB 500	G 1/4 A		18.9	22	19	31.5	16.5	14	30.5	12	53	10.4	1 1 57 51 20 81	1 1 57 51 20 XX
S 8	PB 450	G 1/4 A		18.9	22	19	31.5	16.5	14	31	12	53	10.5	1 1 57 56 20 81	1 1 57 56 20 XX
S 10	PB 400	G 3/8 A		21.9	27	22	35	18.5	16.5	37	12	120	17.3	1 1 57 61 20 81	1 1 57 61 20 XX
S 12	PB 400	G 3/8 A		21.9	27	22	35	18.5	16.5	37.5	12	120	17.5	1 1 57 66 20 81	1 1 57 66 20 XX
S 16	PB 400	G 1/2 A		26.9	36	27	41	22.5	21.5	47	14	160	31.2	1 1 57 76 20 81	1 1 57 76 20 XX
S 20	PB 400	G 3/4 A		32.9	46	36	49	27.5	24	55	16	330	59.4	1 1 57 81 20 81	1 1 57 81 20 XX
S 25	PB 250	G 1 A		39.9	50	41	55	31	30.5	66.5	18	380	93.8	1 1 57 86 20 81	1 1 57 86 20 XX
S 30	PB 250	G 1 1/4 A		49.9	60	50	63	36.5	35.5	75.5	20	600	155.2	1 1 57 91 20 81	1 1 57 91 20 XX
S 38	PB 250	G 1 1/2 A		55.9	70	60	72	41	40.5	86.5	22	800	231.1	1 1 57 96 20 81	1 1 57 96 20 XX

Supplementary to Order No. for complete fitting	Supplementary to Order No.
tube connection	
2S	07
ES-4	09
BV-10	Refer to the front page

* I1 and I2 apply to complete fittings with 2S or ES-4 tube connection components.
For BV-10 Refer to the front page.

** With union nut and 2S, ES-4 or BV-10 tube connection components

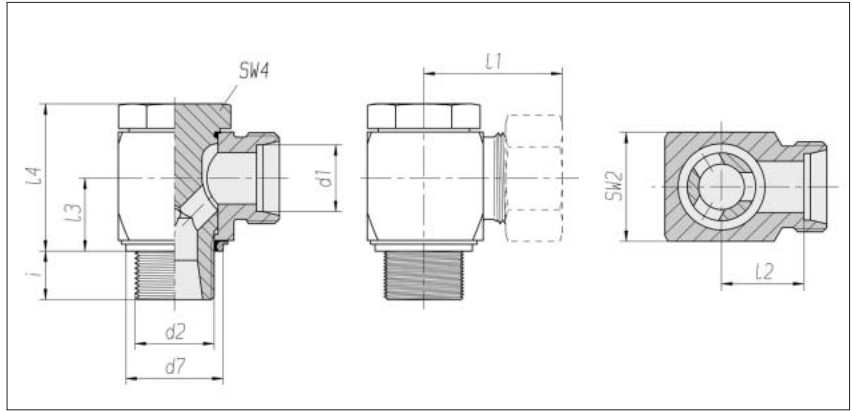
*** Sample product code, see: WH06LRKDSOMD

Banjo couplings

Compact version –
high pressure

Thread:
metric fine thread,
straight

With seal-edge ring for
DIN 3852 / ISO 9974
d4 narrow swivel angle



Series	Pressure	d2	d7	SW2	SW4	l1*	l2	l3	l4	i	Nm	kg/100	Order No.	Order No.
Tube OD						approx.					-10 %	approx.	Single component	**
d1														
L 6	PB 500	M 10 x 1	14.9	14	14	27.5	13	10	21	8	25	3.6	1 1 50 20 20 81	1 1 50 20 20 XX
L 8	PB 500	M 12 x 1.5	17.9	19	19	28.5	14	13.5	27	10	50	7.5	1 1 50 21 20 81	1 1 50 21 20 XX
L 10	PB 500	M 14 x 1.5	19.9	19	19	29.5	15	13.5	27	10	60	8.2	1 1 50 22 20 81	1 1 50 22 20 XX
L 12	PB 400	M 16 x 1.5	21.9	24	22	32	17.5	16	32.5	10	80	12.4	1 1 50 23 20 81	1 1 50 23 20 XX
L 12	PB 315	M 18 x 1.5	23.9	24	22	34.5	20	18.5	36	10	100	14.2	1 1 50 24 20 81	1 1 50 24 20 XX
L 15	PB 400	M 18 x 1.5	23.9	27	24	35	20	18.5	37	10	100	19.2	1 1 50 25 20 81	1 1 50 25 20 XX
L 18	PB 400	M 22 x 1.5	27.9	30	27	36.5	20.5	21.5	43	12	140	27.9	1 1 50 26 20 81	1 1 50 26 20 XX
L 22	PB 250	M 26 x 1.5	31.9	36	32	43	27	24	48	16	180	42.0	1 1 50 27 20 81	1 1 50 27 20 XX
L 28	PB 250	M 33 x 2	39.9	46	41	48	31.5	30.5	59	18	380	86.0	1 1 50 28 20 81	1 1 50 28 20 XX
L 35	PB 250	M 42 x 2	49.9	55	50	57	35.5	35.5	70	20	500	145.7	1 1 50 29 20 81	1 1 50 29 20 XX
L 42	PB 250	M 48 x 2	55.9	65	55	62.5	40	40.5	80	22	600	219.2	1 1 50 30 20 81	1 1 50 30 20 XX
S 6	PB 500	M 12 x 1.5	17.9	19	19	30.5	16	13.5	27	10	50	7.9	1 1 50 31 20 81	1 1 50 31 20 XX
S 8	PB 500	M 14 x 1.5	19.9	19	19	30.5	16	13.5	27	10	60	8.9	1 1 50 32 20 81	1 1 50 32 20 XX
S 10	PB 500	M 16 x 1.5	21.9	24	22	34	18	16	32.5	10	80	13.1	1 1 50 33 20 81	1 1 50 33 20 XX
S 12	PB 400	M 18 x 1.5	23.9	27	24	35.5	19.5	18.5	37	10	110	19.5	1 1 50 34 20 81	1 1 50 34 20 XX
S 16	PB 400	M 22 x 1.5	27.9	30	27	39.5	21.5	21.5	43	12	140	28.2	1 1 50 36 20 81	1 1 50 36 20 XX
S 20	PB 315	M 27 x 2	32.9	36	32	47.5	26	24	48	16	300	45.4	1 1 50 37 20 81	1 1 50 37 20 XX
S 25	PB 250	M 33 x 2	39.9	46	41	55	31	30.5	59	18	380	85.9	1 1 50 38 20 81	1 1 50 38 20 XX
S 30	PB 250	M 42 x 2	49.9	55	50	63	36.5	35.5	70	20	600	144.7	1 1 50 39 20 81	1 1 50 39 20 XX
S 38	PB 250	M 48 x 2	55.9	65	55	71.5	41	40.5	80	22	700	232.0	1 1 50 40 20 81	1 1 50 40 20 XX

Supplementary to Order No. for complete fitting	
tube connection	Supplementary to Order No.
2S	07
ES-4	09
BV-10	Refer to the front page

* Apply to complete fittings with
2S or ES-4 tube connection
components.
For BV-10 Refer to the front page.

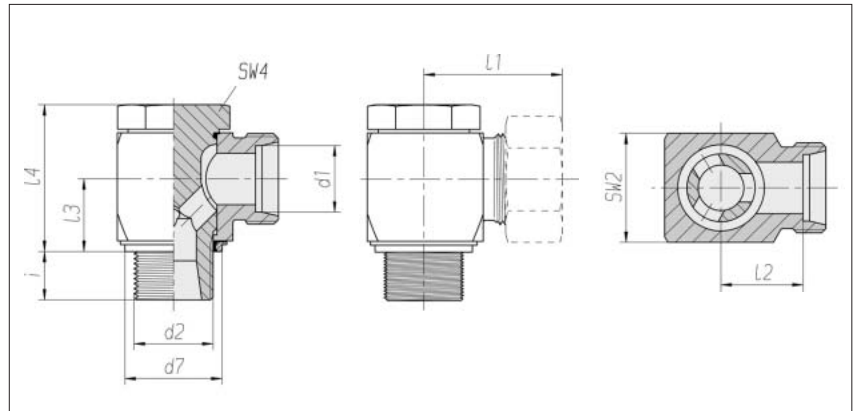
** With union nut and 2S, ES-4
or BV-10 tube connection
components

Banjo couplings

Compact version –
high pressure

Thread:
Whitworth pipe thread,
straight

With soft seal
for DIN 3852 / ISO 1179
d4 narrow swivel angle



Series	Pressure	d2		d7	SW2	SW4	l1*	l2	l3	l4	i	Nm	kg/100	Order No.	Order No.
Tube OD							approx.					-10 %	approx.	Single component	**
d1															
L 6	PB 500	G	1/8 A	14.9	14	14	27.5	13	10	21	8	25	5.9	1 1 50 41 20 81	1 1 50 41 20 XX
L 6	PB 500	G	1/4 A	18.9	19	19	29.5	15	13.5	27	10	45	5.9	1 1 50 42 20 81	1 1 50 42 20 XX
L 8	PB 500	G	1/4 A	18.9	19	19	28.5	14	13.5	27	10	45	9.3	1 1 50 43 20 81	1 1 50 43 20 XX
L 10	PB 500	G	1/4 A	18.9	19	19	29.5	15	13.5	27	10	45	10.2	1 1 50 44 20 81	1 1 50 44 20 XX
L 12	PB 400	G	1/4 A	18.9	22	19	29.5	15	15.5	30	10	45	15.8	1 1 50 45 20 81	1 1 50 45 20 XX
L 12	PB 400	G	3/8 A	21.9	24	22	32	17.5	16	32.5	10	75	15.9	1 1 50 46 20 81	1 1 50 46 20 XX
L 15	PB 400	G	1/2 A	26.9	30	27	36	21	21.5	43	12	110	28.4	1 1 50 47 20 81	1 1 50 47 20 XX
L 18	PB 400	G	1/2 A	26.9	30	27	36.5	20.5	21.5	43	12	110	32.0	1 1 50 48 20 81	1 1 50 48 20 XX
L 22	PB 250	G	3/4 A	32.9	36	32	43	27	24	48	16	210	48.5	1 1 50 49 20 81	1 1 50 49 20 XX
L 28	PB 250	G 1	A	39.9	46	41	48	31.5	30.5	59	18	380	88.2	1 1 50 50 20 81	1 1 50 50 20 XX
L 35	PB 250	G 1	1/4 A	49.9	55	50	57	35.5	35.5	70	20	500	150.8	1 1 50 51 20 81	1 1 50 51 20 XX
L 42	PB 250	G 1	1/2 A	55.9	65	55	62.5	40	40.5	80	22	650	234.1	1 1 50 52 20 81	1 1 50 52 20 XX
S 6	PB 500	G	1/4 A	18.9	19	19	30.5	16	13.5	27	10	50	8.7	1 1 50 53 20 81	1 1 50 53 20 XX
S 8	PB 500	G	1/4 A	18.9	19	19	30.5	16	13.5	27	10	50	10.3	1 1 50 54 20 81	1 1 50 54 20 XX
S 10	PB 500	G	3/8 A	21.9	24	22	34	18	16	32.5	10	80	17.0	1 1 50 55 20 81	1 1 50 55 20 XX
S 12	PB 400	G	3/8 A	21.9	24	22	34	18	16	32.5	10	80	17.9	1 1 50 56 20 81	1 1 50 56 20 XX
S 14	PB 400	G	1/2 A	26.9	30	27	39.5	22	19.5	41	12	160	30.3	1 1 50 57 20 81	1 1 50 57 20 XX
S 16	PB 400	G	1/2 A	26.9	30	27	39.5	21.5	21.5	43	12	160	31.6	1 1 50 58 20 81	1 1 50 58 20 XX
S 20	PB 315	G	3/4 A	32.9	36	32	47.5	26	24	48	16	250	51.8	1 1 50 59 20 81	1 1 50 59 20 XX
S 25	PB 250	G 1	A	39.9	46	41	55	31	30.5	59	18	380	103.0	1 1 50 60 20 81	1 1 50 60 20 XX
S 30	PB 250	G 1	1/4 A	49.9	55	50	63	36.5	35.5	70	20	600	163.7	1 1 50 61 20 81	1 1 50 61 20 XX
S 38	PB 250	G 1	1/2 A	55.9	65	55	71.5	41	40.5	80	22	700	262.7	1 1 50 62 20 81	1 1 50 62 20 XX

Supplementary to Order No. for complete fitting tube connection	Supplementary to Order No.
2S	07
ES-4	09
BV-10	Refer to the front page

* Apply to complete fittings with
2S or ES-4 tube connection
components.
For BV-10 Refer to the front page.

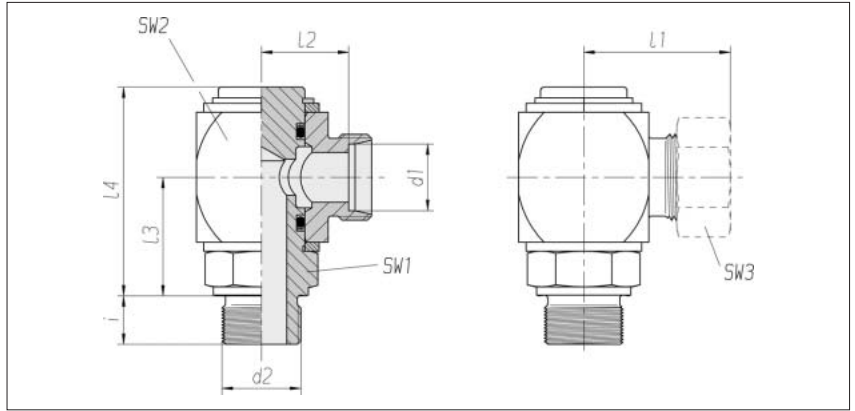
** With union nut and 2S, ES-4
or BV-10 tube connection
components

Rotary couplings

Thread:
metric fine thread,
straight

Sealed with seal edge

Design:
of square bar steel



Series	Pressure	d2	SW1	SW2	SW3	l1	l2	l3	l4	i	Nm	kg/100	Order No.	Order No.
Tube OD						approx.					-10 % approx.		Single component	*
L 6	PB 100	M 10 x 1	22	27	14	31	16.5	26.5	47	8	25	18.1	0 1 75 00 10 81**	0 1 75 00 10 07
L 8	PB 100	M 12 x 1.5	22	27	17	31	16.5	26.5	47	12	35	18.4	0 1 75 05 10 81	0 1 75 05 10 07
L 10	PB 100	M 14 x 1.5	22	27	19	32	17.5	26.5	47	12	50	19.3	0 1 75 10 10 81	0 1 75 10 10 07
L 12	PB 100	M 16 x 1.5	22	27	22	31.5	17.5	26.5	47	12	80	18.9	0 1 75 15 10 81	0 1 75 15 10 07
L 12	PB 100	M 16 x 1.5	22	27	22	31.5	17.5	26.5	47	12	80	18.9	0 1 75 16 10 81***	0 1 75 16 10 07
L 15	PB 100	M 18 x 1.5	27	36	27	38.5	23.5	33.5	58.5	12	100	40.8	0 1 75 20 10 81	0 1 75 20 10 07
L 15	PB 100	M 22 x 1.5	27	36	27	38.5	23.5	33.5	58.5	14	160	41.3	0 1 75 22 10 81	0 1 75 22 10 07
L 18	PB 100	M 22 x 1.5	27	36	32	39	23	33.5	58.5	14	160	41.0	0 1 75 25 10 81	0 1 75 25 10 07
L 22	PB 100	M 26 x 1.5	32	41	36	43	27	38	65.5	16	220	54.3	0 1 75 30 10 81	0 1 75 30 10 07
L 28	PB 100	M 33 x 2	41	46	41	46	29.5	42.5	72	18	300	78.4	0 1 75 35 10 81	0 1 75 35 10 07
S 6	PB 400	M 12 x 1.5	22	27	17	33	18.5	26.5	47	12	50	20.0	0 1 75 50 10 81	0 1 75 50 10 07
S 8	PB 400	M 14 x 1.5	22	27	19	33	18.5	26.5	47	12	60	20.3	0 1 75 55 10 81	0 1 75 55 10 07
S 10	PB 400	M 16 x 1.5	22	27	22	34	18	26.5	47	12	100	20.3	0 1 75 60 10 81	0 1 75 60 10 07
S 12	PB 400	M 18 x 1.5	27	36	24	39	23	33.5	58.5	12	120	42.7	0 1 75 65 10 81	0 1 75 65 10 07
S 14	PB 400	M 20 x 1.5	27	36	27	42.5	25	33.5	58.5	14	170	43.2	0 1 75 70 10 81	0 1 75 70 10 07
S 16	PB 400	M 22 x 1.5	27	36	30	42.5	24.5	33.5	58.5	14	190	42.9	0 1 75 75 10 81	0 1 75 75 10 07
S 16	PB 400	M 22 x 1.5	27	36	30	42.5	24.5	33.5	58.5	14	190	42.9	1 1 75 75 10 81***	1 1 75 75 10 07
S 20	PB 400	M 27 x 2	32	41	36	47.5	26	38	65.5	16	300	56.8	0 1 75 80 10 81	0 1 75 80 10 07
S 25	PB 250	M 33 x 2	41	46	46	53	29	42.5	72	18	450	79.0	0 1 75 85 10 81	0 1 75 85 10 07

These couplings are intended for slow rotating and swivelling movements with a swivelling angle of up to 360° and temperatures of up to 70 °C

* With union nut and 2S cutting ring

** Sample product code, see: DWWE06LMOMD

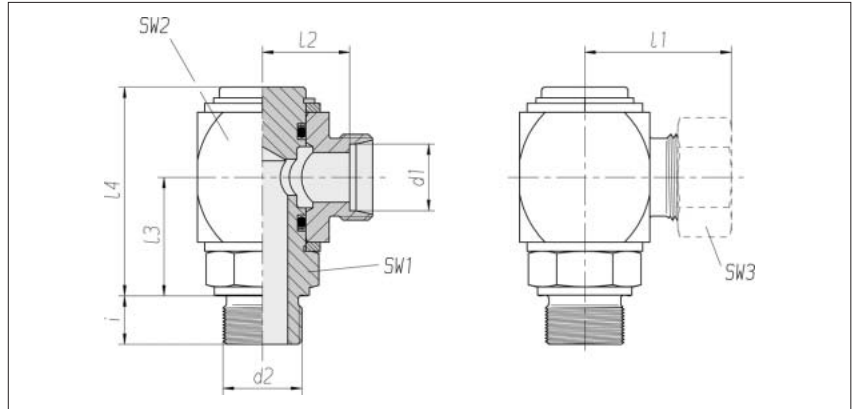
*** Sealed with PEFLEX seal

Rotary couplings

Thread:
Whitworth pipe thread,
straight

Sealed with seal edge

Design:
of square bar steel



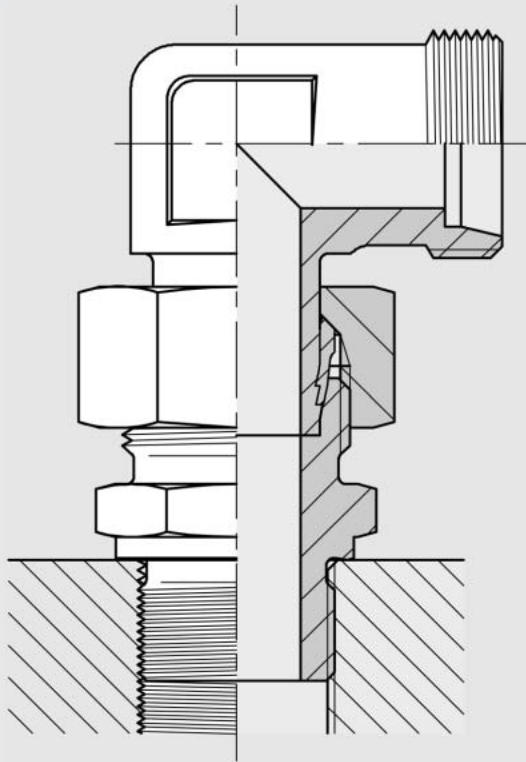
Series	Pressure	d2		SW1	SW2	SW3	l1	l2	l3	l4	i	Nm	kg/100	Order No.	Order No.
Tube OD							approx.					-10 %	approx.	Single component	*
d1															
L 6	PB 100	G 1/8	A	22	27	14	31	16.5	26.5	47	8	25	18.9	0 1 76 00 10 81**	0 1 76 00 10 07
L 8	PB 100	G 1/4	A	22	27	17	31	16.5	26.5	47	12	50	19.4	0 1 76 05 10 81	0 1 76 05 10 07
L 10	PB 100	G 1/4	A	22	27	19	32	17.5	26.5	47	12	50	18.9	0 1 76 10 10 81	0 1 76 10 10 07
L 12	PB 100	G 3/8	A	22	27	22	31.5	17.5	26.5	47	12	80	18.9	0 1 76 15 10 81	0 1 76 15 10 07
L 15	PB 100	G 1/2	A	27	36	27	38.5	23.5	33.5	58.5	14	170	41.8	0 1 76 20 10 81	0 1 76 20 10 07
L 18	PB 100	G 1/2	A	27	36	32	39	23	33.5	58.5	14	170	40.4	0 1 76 25 10 81	0 1 76 25 10 07
L 22	PB 100	G 3/4	A	32	41	36	43	27	38	65.5	16	240	55.1	0 1 76 30 10 81	0 1 76 30 10 07
L 28	PB 100	G 1	A	41	46	41	46	29.5	42.5	72	18	370	77.3	0 1 76 35 10 81	0 1 76 35 10 07
S 6	PB 400	G 1/4	A	22	27	17	33	18.5	26.5	47	12	60	20.0	0 1 76 50 10 81	0 1 76 50 10 07
S 8	PB 400	G 1/4	A	22	27	19	33	18.5	26.5	47	12	60	20.3	0 1 76 55 10 81	0 1 76 55 10 07
S 10	PB 400	G 3/8	A	22	27	22	34	18	26.5	47	12	110	20.7	0 1 76 60 10 81	0 1 76 60 10 07
S 12	PB 400	G 3/8	A	27	36	24	39	23	33.5	58.5	12	110	42.4	0 1 76 65 10 81	0 1 76 65 10 07
S 14	PB 400	G 1/2	A	27	36	27	42.5	25	33.5	58.5	14	200	43.7	0 1 76 70 10 81	0 1 76 70 10 07
S 16	PB 400	G 1/2	A	27	36	30	42.5	24.5	33.5	58.5	14	200	42.4	0 1 76 75 10 81	0 1 76 75 10 07
S 20	PB 400	G 3/4	A	32	41	36	47.5	26	38	65.5	16	320	57.4	0 1 76 80 10 81	0 1 76 80 10 07
S 25	PB 250	G 1	A	41	46	46	53	29	42.5	72	18	500	98.0	0 1 76 85 10 81	0 1 76 85 10 07

These couplings are intended for slow rotating and swivelling movements with a swivelling angle of up to 360° and temperatures of up to 70 °C

* With union nut and 2S cutting ring

** Sample product code, see: DWWE06LROMD

Adjustable stud couplings
with tube socket
male connector



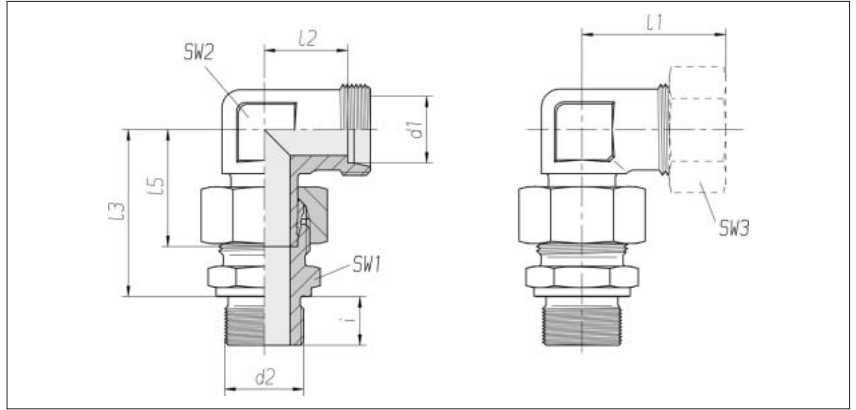
Experience plus ideas

Adjustable stud elbows

Male connector

Thread:
metric fine thread,
straight

Sealed with seal edge



Series	Pressure	d2	SW1	SW2	SW3	l1	l2	l3	l5	i	kg/100	Order No.	Order No.
Tube OD						approx.					approx.	Single component	*
d1													
L 6	PN 315	M 10 x 1	14	12	14	27	12	34.5	26	8	5.3	0 1 58 01 20 07***	0 1 58 00 20 07
L 8	PN 315	M 12 x 1.5	17	12	17	29	14	37.5	27.5	12	5.9	0 1 58 06 20 07	0 1 58 05 20 07
L 10	PN 315	M 14 x 1.5	19	14	19	30	15	40	29	12	7.8	0 1 58 11 20 07	0 1 58 10 20 07
L 12	PN 315	M 16 x 1.5	22	17	22	32	17	42	29.5	12	10.3	0 1 58 16 20 07	0 1 58 15 20 07
L 15	PN 315	M 18 x 1.5	24	19	27	36	21	46	32.5	12	16.6	0 1 58 21 20 07	0 1 58 20 20 07
L 18	PN 315	M 22 x 1.5	27	24	32	40	23.5	50	35.5	14	25.4	0 1 58 26 20 07	0 1 58 25 20 07
L 22	PN 160	M 26 x 1.5	32	27	36	44	27.5	55	38.5	16	25.2	0 1 58 31 20 07	0 1 58 30 20 07
L 28	PN 160	M 33 x 2	41	36	41	47	30.5	59	41.5	18	49.5	0 1 58 36 20 07	0 1 58 35 20 07
L 35	PN 160	M 42 x 2	50	41	50	56	34.5	68.5	51	20	79.4	0 1 58 41 20 07	0 1 58 40 20 07
L 42	PN 160	M 48 x 2	55	50	60	63	40	75	56	22	143.4	0 1 58 46 20 07	0 1 58 45 20 07
S 6	PB 630**	M 12 x 1.5	17	12	17	31	16	40	27	12	7.3	0 1 58 51 20 07	0 1 58 50 20 07
S 8	PB 630**	M 14 x 1.5	19	14	19	32	17	42.5	27.5	12	10.1	0 1 58 56 20 07	0 1 58 55 20 07
S 10	PB 630**	M 16 x 1.5	22	17	22	34	17.5	45	30	12	13.3	0 1 58 61 20 07	0 1 58 60 20 07
S 12	PB 630**	M 18 x 1.5	24	17	24	38	21.5	48	31	12	17.5	0 1 58 66 20 07	0 1 58 65 20 07
S 14	PB 630**	M 20 x 1.5	27	19	27	40	22	54	35	14	23.2	0 1 58 71 20 07	0 1 58 70 20 07
S 16	PB 400	M 22 x 1.5	27	24	30	43	24.5	55	36.5	14	27.8	0 1 58 76 20 07	0 1 58 75 20 07
S 20	PB 400	M 27 x 2	32	27	36	48	26.5	65	44.5	16	42.6	0 1 58 81 20 07	0 1 58 80 20 07
S 25	PB 400	M 33 x 2	41	36	46	54	30	73	50	18	81.6	0 1 58 86 20 07	0 1 58 85 20 07
S 30	PB 250	M 42 x 2	50	41	50	62	35.5	78.5	55	20	112.0	0 1 58 91 20 07	0 1 58 90 20 07
S 38	PB 250	M 48 x 2	55	50	60	72	41	89	63	22	165.5	0 1 58 96 20 07	0 1 58 95 20 07

* With union nut and 2S cutting ring

** Safety factor 2.0

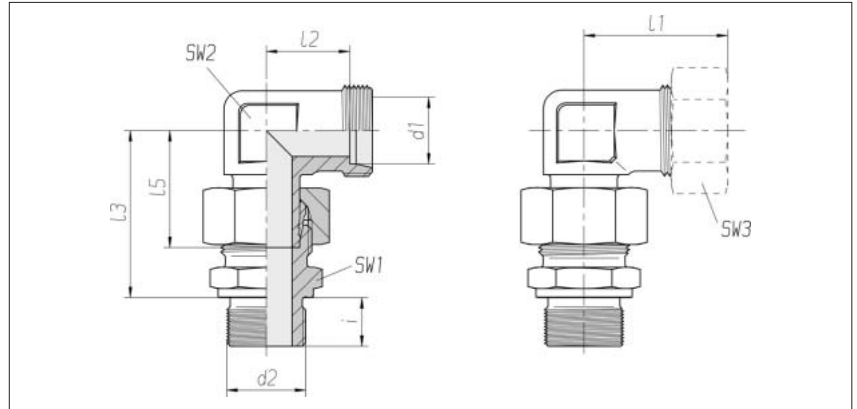
*** Sample product code, see: EWW06LMOMD

Adjustable stud elbows

Male connector

Thread:
Whitworth pipe thread,
straight

Sealed with seal edge



Series	Pressure	d2		SW1	SW2	SW3	l1 approx.	l2	l3	l5	i	kg/100 approx.	Order No. Single component	Order No. *
Tube OD d1														
L 6	PN 315	G 1/8 A	14	12	14	27	12	34.5	26	8	5.3	0 1 59 01 20 07**	0 1 59 00 20 07	
L 8	PN 315	G 1/4 A	19	12	17	29	14	37.5	27.5	12	6.7	0 1 59 06 20 07	0 1 59 05 20 07	
L 10	PN 315	G 1/4 A	19	14	19	30	15	40	29	12	7.9	0 1 59 11 20 07	0 1 59 10 20 07	
L 12	PN 315	G 3/8 A	22	17	22	32	17	42	29.5	12	11.1	0 1 59 16 20 07	0 1 59 15 20 07	
L 15	PN 315	G 1/2 A	27	19	27	36	21	46.5	32.5	14	18.8	0 1 59 21 20 07	0 1 59 20 20 07	
L 18	PN 315	G 1/2 A	27	24	32	40	23.5	50	35.5	14	24.8	0 1 59 26 20 07	0 1 59 25 20 07	
L 22	PN 160	G 3/4 A	32	27	36	44	27.5	55	38.5	16	34.0	0 1 59 31 20 07	0 1 59 30 20 07	
L 28	PN 160	G 1 A	41	36	41	47	30.5	59	41.5	18	61.7	0 1 59 36 20 07	0 1 59 35 20 07	
L 35	PN 160	G 1 1/4 A	50	41	50	56	34.5	68.5	51	20	83.6	0 1 59 41 20 07	0 1 59 40 20 07	
L 42	PN 160	G 1 1/2 A	55	50	60	63	40	75	56	22	110.5	0 1 59 46 20 07	0 1 59 45 20 07	
S 6	PB 630	G 1/4 A	19	12	17	31	16	40	27	12	7.8	0 1 59 51 20 07	0 1 59 50 20 07	
S 8	PB 630	G 1/4 A	19	14	19	32	17	42.5	27.5	12	9.8	0 1 59 56 20 07	0 1 59 55 20 07	
S 10	PB 630	G 3/8 A	22	17	22	34	17.5	45	30	12	13.4	0 1 59 61 20 07	0 1 59 60 20 07	
S 12	PB 630	G 3/8 A	22	17	24	38	21.5	48	31	12	16.9	0 1 59 66 20 07	0 1 59 65 20 07	
S 14	PB 630	G 1/2 A	27	19	27	40	22	54	35	14	24.2	0 1 59 71 20 07	0 1 59 70 20 07	
S 16	PB 400	G 1/2 A	27	24	30	43	24.5	55	36.5	14	29.2	0 1 59 76 20 07	0 1 59 75 20 07	
S 20	PB 400	G 3/4 A	32	27	36	48	26.5	65	44.5	16	44.7	0 1 59 81 20 07	0 1 59 80 20 07	
S 25	PB 400	G 1 A	41	36	46	54	30	73	50	18	80.9	0 1 59 86 20 07	0 1 59 85 20 07	
S 30	PB 250	G 1 1/4 A	50	41	50	62	35.5	78.5	55	20	118.4	0 1 59 91 20 07	0 1 59 90 20 07	
S 38	PB 250	G 1 1/2 A	55	50	60	72	41	89	63	22	197.3	0 1 59 96 20 07	0 1 59 95 20 07	

* With union nut and 2S cutting ring

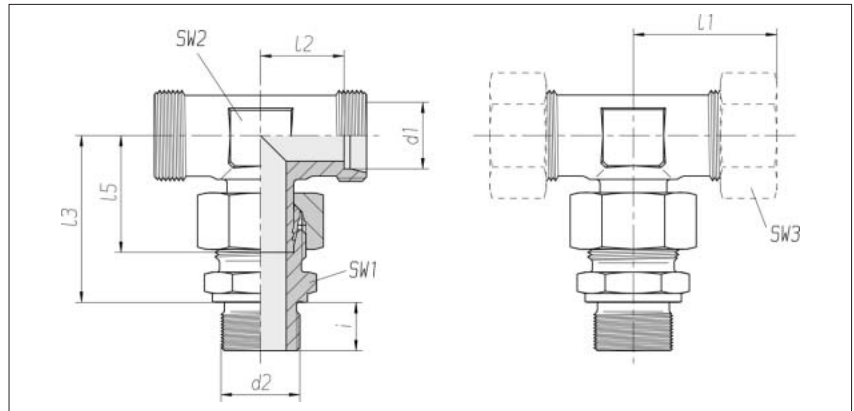
** Sample product code, see:
EWW06LROMD

Adjustable stud branch tees

Male connector

Thread:
metric fine thread,
straight

Sealed with seal edge



Series	Pressure	d2	SW1	SW2	SW3	l1	l2	l3	l5	i	kg/100 approx.	Order No. Single component	Order No. *
Tube OD d1						approx.							
L 6	PN 315	M 10 x 1	14	12	14	27	12	34.5	26	8	5.0	0 1 60 01 20 07***	0 1 60 00 20 07
L 8	PN 315	M 12 x 1.5	17	12	17	29	14	37.5	27.5	12	6.7	0 1 60 06 20 07	0 1 60 05 20 07
L 10	PN 315	M 14 x 1.5	19	14	19	30	15	40	29	12	8.6	0 1 60 11 20 07	0 1 60 10 20 07
L 12	PN 315	M 16 x 1.5	22	17	22	32	17	42	29.5	12	11.3	0 1 60 16 20 07	0 1 60 15 20 07
L 15	PN 315	M 18 x 1.5	24	19	27	36	21	46	32.5	12	24.0	0 1 60 21 20 07	0 1 60 20 20 07
L 18	PN 315	M 22 x 1.5	27	24	32	40	23.5	50	35.5	14	26.8	0 1 60 26 20 07	0 1 60 25 20 07
L 22	PN 160	M 26 x 1.5	32	27	36	44	27.5	55	38.5	16	28.8	0 1 60 31 20 07	0 1 60 30 20 07
L 28	PN 160	M 33 x 2	41	36	41	47	30.5	59	41.5	18	54.7	0 1 60 36 20 07	0 1 60 35 20 07
L 35	PN 160	M 42 x 2	50	41	50	56	34.5	68.5	51	20	86.6	0 1 60 41 20 07	0 1 60 40 20 07
L 42	PN 160	M 48 x 2	55	50	60	63	40	75	56	22	216.7	0 1 60 46 20 07	0 1 60 45 20 07
S 6	PB 630**	M 12 x 1.5	17	12	17	31	16	40	27	12	10.5	0 1 60 51 20 07	0 1 60 50 20 07
S 8	PB 630**	M 14 x 1.5	19	14	19	32	17	42.5	27.5	12	11.8	0 1 60 56 20 07	0 1 60 55 20 07
S 10	PB 630**	M 16 x 1.5	22	17	22	34	17.5	45	30	12	15.4	0 1 60 61 20 07	0 1 60 60 20 07
S 12	PB 630**	M 18 x 1.5	24	17	24	38	21.5	48	31	12	20.1	0 1 60 66 20 07	0 1 60 65 20 07
S 14	PB 630**	M 20 x 1.5	27	19	27	40	22	54	35	14	26.3	0 1 60 71 20 07	0 1 60 70 20 07
S 16	PB 400	M 22 x 1.5	27	24	30	43	24.5	55	36.5	14	32.0	0 1 60 76 20 07	0 1 60 75 20 07
S 20	PB 400	M 27 x 2	32	27	36	48	26.5	65	44.5	16	48.5	0 1 60 81 20 07	0 1 60 80 20 07
S 25	PB 400	M 33 x 2	41	36	46	54	30	73	50	18	45.4	0 1 60 86 20 07	0 1 60 85 20 07
S 30	PB 250	M 42 x 2	50	41	50	62	35.5	78.5	55	20	127.8	0 1 60 91 20 07	0 1 60 90 20 07
S 38	PB 250	M 48 x 2	55	50	60	72	41	89	63	22	188.5	0 1 60 96 20 07	0 1 60 95 20 07

* With union nut and 2S cutting ring

** Safety factor 2.0

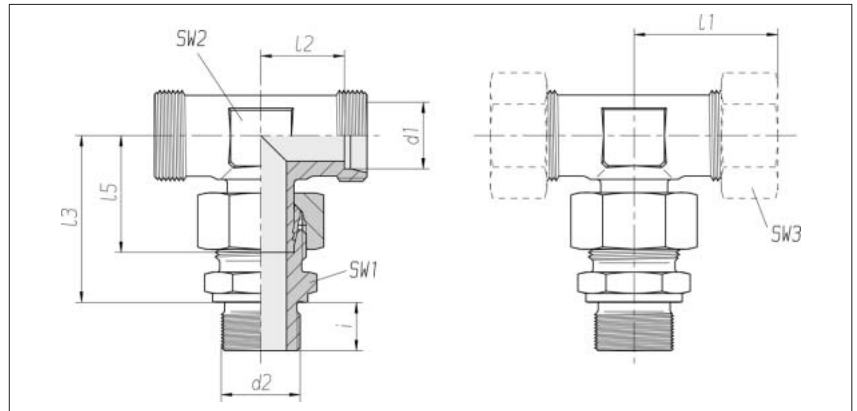
*** Sample product code, see: EVT06LMOMD

Adjustable stud branch tees

Male connector

Thread:
Whitworth pipe thread,
straight

Sealed with seal edge



Series	Pressure	d2		SW1	SW2	SW3	l1	l2	l3	l5	i	kg/100	Order No.	Order No.
Tube OD							approx.					approx.	Single component	*
d1														
L 6	PN 315	G 1/8 A	14	12	14	27	12	34.5	26	8	5.0	0 1 61 01 20 07**	0 1 61 00 20 07	
L 8	PN 315	G 1/4 A	19	12	17	29	14	37.5	27.5	12	7.2	0 1 61 06 20 07	0 1 61 05 20 07	
L 10	PN 315	G 1/4 A	19	14	19	30	15	40	29	12	9.0	0 1 61 11 20 07	0 1 61 10 20 07	
L 12	PN 315	G 3/8 A	22	17	22	32	17	42	29.5	12	11.7	0 1 61 16 20 07	0 1 61 15 20 07	
L 15	PN 315	G 1/2 A	27	19	27	36	21	46.5	32.5	14	20.9	0 1 61 21 20 07	0 1 61 20 20 07	
L 18	PN 315	G 1/2 A	27	24	32	40	23.5	50	35.5	14	26.1	0 1 61 26 20 07	0 1 61 25 20 07	
L 22	PN 160	G 3/4 A	32	27	36	44	27.5	55	38.5	16	37.5	0 1 61 31 20 07	0 1 61 30 20 07	
L 28	PN 160	G 1 A	41	36	41	47	30.5	59	41.5	18	54.3	0 1 61 36 20 07	0 1 61 35 20 07	
L 35	PN 160	G 1 1/4 A	50	41	50	56	34.5	68.5	51	20	86.4	0 1 61 41 20 07	0 1 61 40 20 07	
L 42	PN 160	G 1 1/2 A	55	50	60	63	40	75	56	22	183.8	0 1 61 46 20 07	0 1 61 45 20 07	
S 6	PB 630	G 1/4 A	19	12	17	31	16	40	27	12	10.9	0 1 61 51 20 07	0 1 61 50 20 07	
S 8	PB 630	G 1/4 A	19	14	19	32	17	42.5	27.5	12	11.5	0 1 61 56 20 07	0 1 61 55 20 07	
S 10	PB 630	G 3/8 A	22	17	22	34	17.5	45	30	12	15.5	0 1 61 61 20 07	0 1 61 60 20 07	
S 12	PB 630	G 3/8 A	22	17	24	38	21.5	48	31	12	19.0	0 1 61 66 20 07	0 1 61 65 20 07	
S 14	PB 630	G 1/2 A	27	19	27	40	22	54	35	14	27.4	0 1 61 71 20 07	0 1 61 70 20 07	
S 16	PB 400	G 1/2 A	27	24	30	43	24.5	55	36.5	14	31.4	0 1 61 76 20 07	0 1 61 75 20 07	
S 20	PB 400	G 3/4 A	32	27	36	48	26.5	65	44.5	16	48.3	0 1 61 81 20 07	0 1 61 80 20 07	
S 25	PB 400	G 1 A	41	36	46	54	30	73	50	18	45.5	0 1 61 86 20 07	0 1 61 85 20 07	
S 30	PB 250	G 1 1/4 A	50	41	50	62	35.5	78.5	55	20	127.6	0 1 61 91 20 07	0 1 61 90 20 07	
S 38	PB 250	G 1 1/2 A	55	50	60	72	41	89	63	22	188.0	0 1 61 96 20 07	0 1 61 95 20 07	

* With union nut and 2S cutting ring

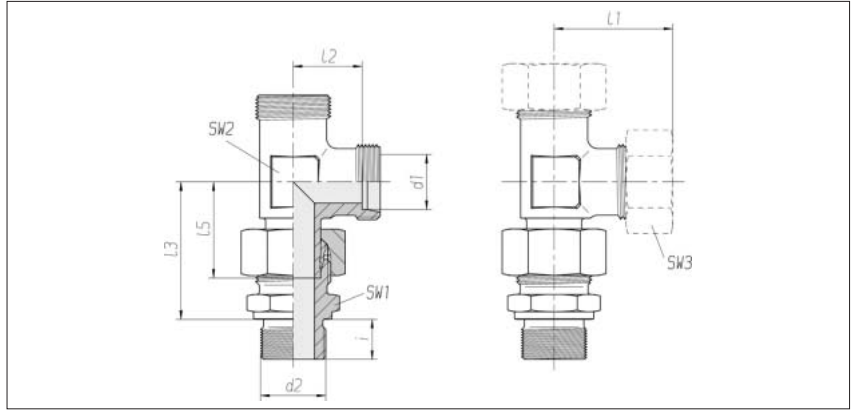
** Sample product code, see:
EVT06LROMD

Adjustable stud barrel tees

Male connector

Thread:
metric fine thread,
straight

Sealed with seal edge



Series	Pressure	d2	SW1	SW2	SW3	L1	L2	L3	L5	i	kg/100 approx.	Order No. Single component	Order No. *
Tube OD d1						approx.							
L 6	PN 315	M 10 x 1	14	12	14	27	12	34.5	26	8	4.8	0 1 62 01 20 07***	0 1 62 00 20 07
L 8	PN 315	M 12 x 1.5	17	12	17	29	14	37.5	27.5	12	6.6	0 1 62 06 20 07	0 1 62 05 20 07
L 10	PN 315	M 14 x 1.5	19	14	19	30	15	40	29	12	8.7	0 1 62 11 20 07	0 1 62 10 20 07
L 12	PN 315	M 16 x 1.5	22	17	22	32	17	42	29.5	12	11.7	0 1 62 16 20 07	0 1 62 15 20 07
L 15	PN 315	M 18 x 1.5	24	19	27	36	21	46	32.5	12	18.4	0 1 62 21 20 07	0 1 62 20 20 07
L 18	PN 315	M 22 x 1.5	27	24	32	40	23.5	50	35.5	14	26.6	0 1 62 26 20 07	0 1 62 25 20 07
L 22	PN 160	M 26 x 1.5	32	27	36	44	27.5	55	38.5	16	28.9	0 1 62 31 20 07	0 1 62 30 20 07
L 28	PN 160	M 33 x 2	41	36	41	47	30.5	59	41.5	18	55.3	0 1 62 36 20 07	0 1 62 35 20 07
L 35	PN 160	M 42 x 2	50	41	50	56	34.5	68.5	51	20	87.0	0 1 62 41 20 07	0 1 62 40 20 07
L 42	PN 160	M 48 x 2	55	50	60	63	40	75	56	22	156.8	0 1 62 46 20 07	0 1 62 45 20 07
S 6	PB 630**	M 12 x 1.5	17	12	17	31	16	40	27	12	8.4	0 1 62 51 20 07	0 1 62 50 20 07
S 8	PB 630**	M 14 x 1.5	19	14	19	32	17	42.5	27.5	12	13.9	0 1 62 56 20 07	0 1 62 55 20 07
S 10	PB 630**	M 16 x 1.5	22	17	22	34	17.5	45	30	12	15.4	0 1 62 61 20 07	0 1 62 60 20 07
S 12	PB 630**	M 18 x 1.5	24	17	24	38	21.5	48	31	12	20.2	0 1 62 66 20 07	0 1 62 65 20 07
S 14	PB 630**	M 20 x 1.5	27	19	27	40	22	54	35	14	25.7	0 1 62 71 20 07	0 1 62 70 20 07
S 16	PB 400	M 22 x 1.5	27	24	30	43	24.5	55	36.5	14	31.5	0 1 62 76 20 07	0 1 62 75 20 07
S 20	PB 400	M 27 x 2	32	27	36	48	26.5	65	44.5	16	78.2	0 1 62 81 20 07	0 1 62 80 20 07
S 25	PB 400	M 33 x 2	41	36	46	54	30	73	50	18	70.7	0 1 62 86 20 07	0 1 62 85 20 07
S 30	PB 250	M 42 x 2	50	41	50	62	35.5	78.5	55	20	126.0	0 1 62 91 20 07	0 1 62 90 20 07
S 38	PB 250	M 48 x 2	55	50	60	72	41	89	63	22	186.7	0 1 62 96 20 07	0 1 62 95 20 07

* With union nut and 2S cutting ring

** Safety factor 2.0

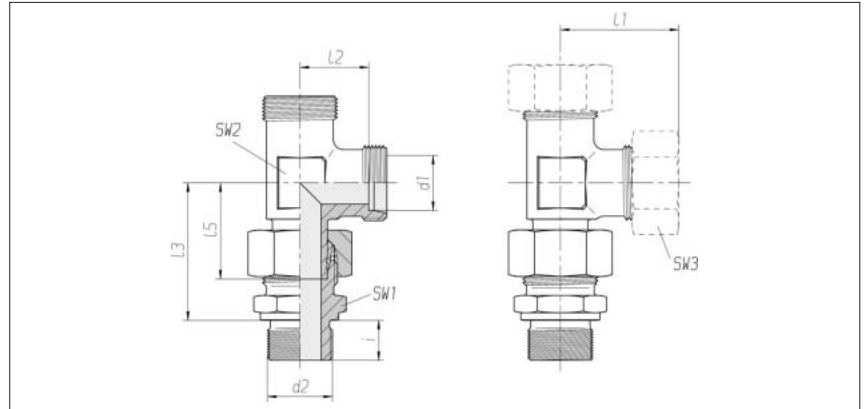
*** Sample product code, see: EVL06LMOMD

Adjustable stud barrel tees

Male connector

Thread:
Whitworth pipe thread,
straight

Sealed with seal edge



Series	Pressure	d2		SW1	SW2	SW3	l1	l2	l3	l5	i	kg/100	Order No.	Order No.
Tube OD							approx.					approx.	Single component	*
d1														
L 6	PN 315	G 1/8 A	14	12	14	27	12	34.5	26	8	4.8	0 1 63 01 20 07**	0 1 63 00 20 07	
L 8	PN 315	G 1/4 A	19	12	17	29	14	37.5	27.5	12	7.2	0 1 63 06 20 07	0 1 63 05 20 07	
L 10	PN 315	G 1/4 A	19	14	19	30	15	40	29	12	8.9	0 1 63 11 20 07	0 1 63 10 20 07	
L 12	PN 315	G 3/8 A	22	17	22	32	17	42	29.5	12	11.8	0 1 63 16 20 07	0 1 63 15 20 07	
L 15	PN 315	G 1/2 A	27	19	27	36	21	46.5	32.5	14	20.4	0 1 63 21 20 07	0 1 63 20 20 07	
L 18	PN 315	G 1/2 A	27	24	32	40	23.5	50	35.5	14	26.0	0 1 63 26 20 07	0 1 63 25 20 07	
L 22	PN 160	G 3/4 A	32	27	36	44	27.5	55	38.5	16	29.2	0 1 63 31 20 07	0 1 63 30 20 07	
L 28	PN 160	G 1 A	41	36	41	47	30.5	59	41.5	18	55.9	0 1 63 36 20 07	0 1 63 35 20 07	
L 35	PN 160	G 1 1/4 A	50	41	50	56	34.5	68.5	51	20	86.9	0 1 63 41 20 07	0 1 63 40 20 07	
L 42	PN 160	G 1 1/2 A	55	50	60	63	40	75	56	22	136.8	0 1 63 46 20 07	0 1 63 45 20 07	
S 6	PB 630	G 1/4 A	19	12	17	31	16	40	27	12	9.1	0 1 63 51 20 07	0 1 63 50 20 07	
S 8	PB 630	G 1/4 A	19	14	19	32	17	42.5	27.5	12	13.6	0 1 63 56 20 07	0 1 63 55 20 07	
S 10	PB 630	G 3/8 A	22	17	22	34	17.5	45	30	12	15.5	0 1 63 61 20 07	0 1 63 60 20 07	
S 12	PB 630	G 3/8 A	22	17	24	38	21.5	48	31	12	19.1	0 1 63 66 20 07	0 1 63 65 20 07	
S 14	PB 630	G 1/2 A	27	19	27	40	22	54	35	14	26.8	0 1 63 71 20 07	0 1 63 70 20 07	
S 16	PB 400	G 1/2 A	27	24	30	43	24.5	55	36.5	14	30.9	0 1 63 76 20 07	0 1 63 75 20 07	
S 20	PB 400	G 3/4 A	32	27	36	48	26.5	65	44.5	16	49.8	0 1 63 81 20 07	0 1 63 80 20 07	
S 25	PB 400	G 1 A	41	36	46	54	30	73	50	18	70.8	0 1 63 86 20 07	0 1 63 85 20 07	
S 30	PB 250	G 1 1/4 A	50	41	50	62	35.5	78.5	55	20	125.7	0 1 63 91 20 07	0 1 63 90 20 07	
S 38	PB 250	G 1 1/2 A	55	50	60	72	41	89	63	22	186.2	0 1 63 96 20 07	0 1 63 95 20 07	

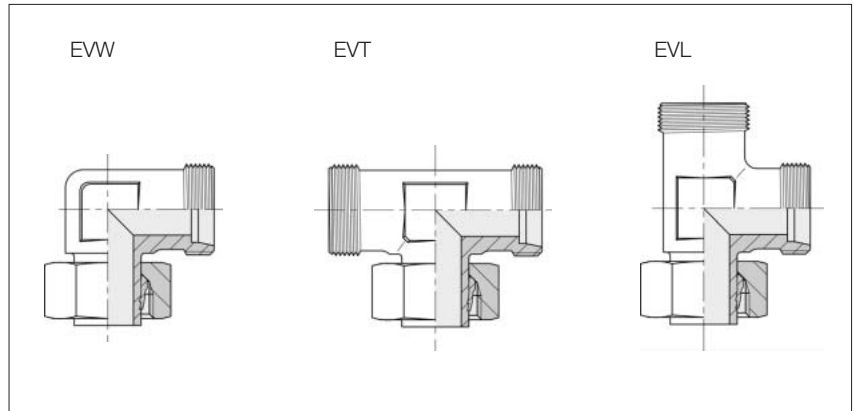
* With union nut and 2S cutting ring

** Sample product code, see:
EVL06LROMD

Adjustable stud couplings

Male connector

Component parts
Tube socket pre-assembled



Series	Pressure	kg/100 approx.	Order No.	kg/100 approx.	Order No.	kg/100 approx.	Order No.
Tube OD			EVW		EVT		EVL
d1							
L 6	PN 315	2.8	0 1 58 03 20 07*	3.8	0 1 60 03 20 07*	3.4	0 1 62 03 20 07*
L 8	PN 315	3.8	0 1 58 08 20 07	4.8	0 1 60 08 20 07	4.7	0 1 62 08 20 07
L 10	PN 315	5.0	0 1 58 13 20 07	6.0	0 1 60 13 20 07	6.0	0 1 62 13 20 07
L 12	PN 315	6.6	0 1 58 18 20 07	7.9	0 1 60 18 20 07	7.9	0 1 62 18 20 07
L 15	PN 315	11.5	0 1 58 23 20 07	14.2	0 1 60 23 20 07	13.7	0 1 62 23 20 07
L 18	PN 315	17.8	0 1 58 28 20 07	21.1	0 1 60 28 20 07	20.8	0 1 62 28 20 07
L 22	PN 160	23.5	0 1 58 33 20 07	27.8	0 1 60 33 20 07	27.2	0 1 62 33 20 07
L 28	PN 160	34.1	0 1 58 38 20 07	38.6	0 1 60 38 20 07	39.1	0 1 62 38 20 07
L 35	PN 160	57.7	0 1 58 43 20 07	66.0	0 1 60 43 20 07	66.1	0 1 62 43 20 07
L 42	PN 160	87.2	0 1 58 48 20 07	101.8	0 1 60 48 20 07	100.6	0 1 62 48 20 07
S 6	PN 630	4.4	0 1 58 53 20 07	5.8	0 1 60 53 20 07	5.6	0 1 62 53 20 07
S 8	PN 630	5.9	0 1 58 58 20 07	7.6	0 1 60 58 20 07	7.8	0 1 62 58 20 07
S 10	PN 630	8.3	0 1 58 63 20 07	10.3	0 1 60 63 20 07	10.3	0 1 62 63 20 07
S 12	PN 630	10.5	0 1 58 68 20 07	13.5	0 1 60 68 20 07	13.4	0 1 62 68 20 07
S 14	PN 630	14.6	0 1 58 73 20 07	17.9	0 1 60 73 20 07	17.7	0 1 62 73 20 07
S 16	PN 400	19.9	0 1 58 78 20 07	24.1	0 1 60 78 20 07	22.5	0 1 62 78 20 07
S 20	PN 400	29.4	0 1 58 83 20 07	34.8	0 1 60 83 20 07	34.8	0 1 62 83 20 07
S 25	PN 400	54.1	0 1 58 88 20 07	63.0	0 1 60 88 20 07	63.5	0 1 62 88 20 07
S 30	PN 400	76.2	0 1 58 93 20 07	90.8	0 1 60 93 20 07	91.4	0 1 62 93 20 07
S 38	PN 315	118.9	0 1 58 98 20 07	141.7	0 1 60 98 20 07	141.7	0 1 62 98 20 07

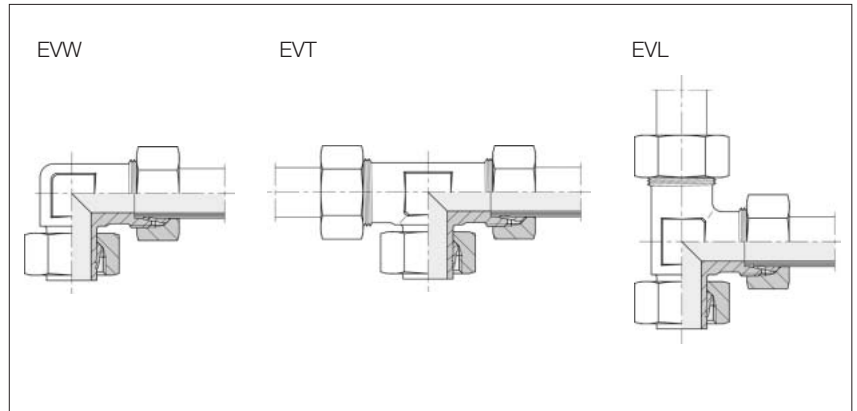
* Sample product code, see:
EWW06LOMD
EVT06LOMD
EVL06LOMD

Adjustable stud couplings

Male connector

Component parts
Tube socket pre-assembled

Cutting ring connection
at tube end



Series Tube OD d1	Pressure	kg/100 approx.	Order No. EWW*	kg/100 approx.	Order No. EVT*	kg/100 approx.	Order No. EVL*
L 6	PN 315	3.9	0 1 58 02 20 07**	5.9	0 1 60 02 20 07**	5.7	0 1 62 02 20 07**
L 8	PN 315	5.5	0 1 58 07 20 07	8.2	0 1 60 07 20 07	8.1	0 1 62 07 20 07
L 10	PN 315	7.0	0 1 58 12 20 07	10.2	0 1 60 12 20 07	10.3	0 1 62 12 20 07
L 12	PN 315	9.6	0 1 58 17 20 07	13.9	0 1 60 17 20 07	13.6	0 1 62 17 20 07
L 15	PN 315	16.4	0 1 58 22 20 07	23.7	0 1 60 22 20 07	23.2	0 1 62 22 20 07
L 18	PN 315	24.2	0 1 58 27 20 07	34.7	0 1 60 27 20 07	34.8	0 1 62 27 20 07
L 22	PN 160	32.9	0 1 58 32 20 07	45.4	0 1 60 32 20 07	45.4	0 1 62 32 20 07
L 28	PN 160	45.0	0 1 58 37 20 07	59.2	0 1 60 37 20 07	59.5	0 1 62 37 20 07
L 35	PN 160	71.4	0 1 58 42 20 07	96.1	0 1 60 42 20 07	95.5	0 1 62 42 20 07
L 42	PN 160	111.7	0 1 58 47 20 07	147.4	0 1 60 47 20 07	147.1	0 1 62 47 20 07
S 6	PN 630	6.4	0 1 58 52 20 07	9.6	0 1 60 52 20 07	9.5	0 1 62 52 20 07
S 8	PN 630	8.2	0 1 58 57 20 07	12.1	0 1 60 57 20 07	12.2	0 1 62 57 20 07
S 10	PN 630	11.7	0 1 58 62 20 07	17.2	0 1 60 62 20 07	17.1	0 1 62 62 20 07
S 12	PN 630	14.6	0 1 58 67 20 07	20.9	0 1 60 67 20 07	21.0	0 1 62 67 20 07
S 14	PN 630	20.3	0 1 58 72 20 07	29.2	0 1 60 72 20 07	29.1	0 1 62 72 20 07
S 16	PN 400	26.9	0 1 58 77 20 07	38.5	0 1 60 77 20 07	37.4	0 1 62 77 20 07
S 20	PN 400	40.4	0 1 58 82 20 07	58.1	0 1 60 82 20 07	57.8	0 1 62 82 20 07
S 25	PN 400	76.7	0 1 58 87 20 07	105.6	0 1 60 87 20 07	105.3	0 1 62 87 20 07
S 30	PN 400	99.9	0 1 58 92 20 07	137.5	0 1 60 92 20 07	136.4	0 1 62 92 20 07
S 38	PN 315	154.5	0 1 58 97 20 07	208.9	0 1 60 97 20 07	208.7	0 1 62 97 20 07

* With union nut and 2S cutting ring

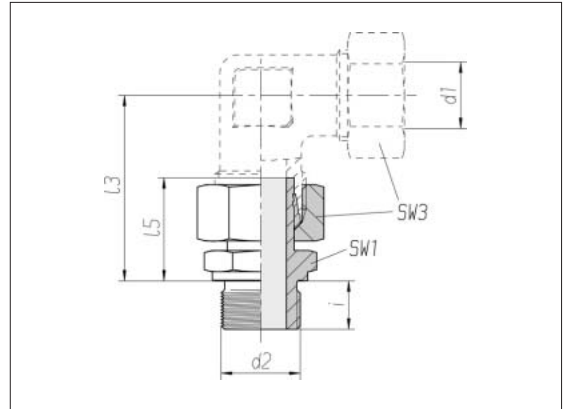
** Sample product code, see:
EWW06L
EVT06L
EVL06L

Straight stud standpipe adapters

Thread:
metric fine thread,
straight

Sealed with seal edge

Tube socket pre-assembled



Series Tube OD d1	Pressure	d2	SW1	SW3	l3	l5	i	Nm -10 %	kg/100 approx.	Order No.
L 6	PN 315	M 10 x 1	14	14	36.5	24.5	8	20	2.4	0 1 64 03 20 07**
L 8	PN 315	M 12 x 1.5	17	17	40.5	26.5	12	30	4.0	0 1 64 08 20 07
L 10	PN 315	M 14 x 1.5	19	19	42.5	27.5	12	50	4.9	0 1 64 13 20 07
L 12	PN 315	M 16 x 1.5	22	22	47.5	30.5	12	70	6.8	0 1 64 18 20 07
L 12	PN 315	M 18 x 1.5	24	22	47.5	30.5	12	90	7.8	1 1 99 17 20 07
L 12	PN 315	M 22 x 1.5	27	22	49	32	14	140	10.8	0 1 85 71 20 07
L 15	PN 315	M 18 x 1.5	24	27	52.5	31.5	12	90	9.8	0 1 64 23 20 07
L 18	PN 315	M 22 x 1.5	27	32	55	31.5	14	140	14.0	0 1 64 28 20 07
L 22	PN 160	M 26 x 1.5	32	36	60	32.5	16	190	19.6	0 1 64 33 20 07
L 28	PN 160	M 33 x 2	41	41	65.5	35	18	300	26.9	0 1 64 38 20 07
L 35	PN 160	M 42 x 2	50	50	77	42.5	20	500	45.7	0 1 64 43 20 07
L 42	PN 160	M 48 x 2	55	60	86.5	46.5	22	600	60.7	0 1 64 48 20 07
S 6	PB 630*	M 12 x 1.5	17	17	43	27	12	45	4.4	0 1 64 53 20 07
S 8	PB 630*	M 14 x 1.5	19	19	46.5	29.5	12	60	6.0	0 1 64 58 20 07
S 10	PB 630*	M 16 x 1.5	22	22	49.5	32	12	80	8.3	0 1 64 63 20 07
S 12	PB 630*	M 18 x 1.5	24	24	55.5	34	12	120	11.0	0 1 64 68 20 07
S 14	PB 630*	M 20 x 1.5	27	27	58.5	36.5	14	160	14.7	0 1 64 73 20 07
S 16	PB 400	M 22 x 1.5	27	30	61.5	37	14	170	17.0	0 1 64 78 20 07
S 20	PB 400	M 27 x 2	32	36	69.5	43	16	280	25.3	0 1 64 83 20 07
S 25	PB 400	M 33 x 2	41	46	78	48	18	450	48.8	0 1 64 88 20 07
S 30	PB 250	M 42 x 2	50	50	86.5	51	20	540	65.9	0 1 64 93 20 07
S 38	PB 250	M 48 x 2	55	60	101	60	22	700	95.2	0 1 64 98 20 07

* Safety factor 2.0

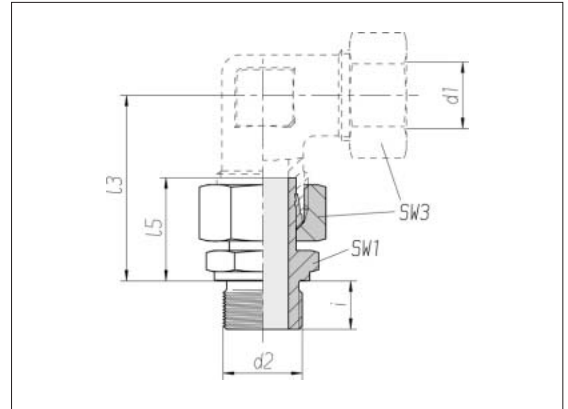
** Sample product code, see:
EVGE06LM

Straight stud standpipe adapters

Thread:
Whitworth pipe thread,
straight

Sealed with seal edge

Tube socket pre-assembled



Series	Pressure	d2		SW1	SW3	l3	l5	i	Nm -10 %	kg/100 approx.	Order No.
Tube OD											
d1											
L 6	PN 315	G 1/8 A		14	14	36.5	24.5	8	20	2.4	0 1 65 03 20 07*
L 8	PN 315	G 1/4 A		19	17	43.5	29.5	12	50	4.6	0 1 65 08 20 07
L 10	PN 315	G 1/4 A		19	19	42.5	27.5	12	50	5.1	0 1 65 13 20 07
L 12	PN 315	G 1/4 A		19	22	50.5	33.5	12	50	7.0	0 1 97 37 20 07
L 12	PN 315	G 3/8 A		22	22	51	34	12	80	8.2	0 1 65 18 20 07
L 12	PN 315	G 1/2 A		27	22	51.5	34.5	14	140	9.8	0 1 97 38 20 07
L 15	PN 315	G 3/8 A		22	27	52.5	31.5	12	80	9.6	0 1 86 04 20 07
L 15	PN 315	G 1/2 A		27	27	53	32	14	140	11.9	0 1 65 23 20 07
L 18	PN 315	G 1/2 A		27	32	55	31.5	14	140	13.6	0 1 65 28 20 07
L 22	PN 160	G 3/4 A		32	36	60	32.5	16	190	18.7	0 1 65 33 20 07
L 28	PN 160	G 1 A		41	41	65.5	35	18	330	27.1	0 1 65 38 20 07
L 35	PN 160	G 1 1/4 A		50	50	77	42.5	20	540	44.8	0 1 65 43 20 07
L 42	PN 160	G 1 1/2 A		55	60	86.5	46.5	22	630	60.7	0 1 65 48 20 07
S 6	PB 630	G 1/4 A		19	17	43	27	12	60	4.9	0 1 65 53 20 07
S 8	PB 630	G 1/4 A		19	19	46.5	29.5	12	60	5.8	0 1 65 58 20 07
S 10	PB 630	G 3/8 A		22	22	49.5	32	12	100	8.7	0 1 65 63 20 07
S 12	PB 630	G 1/4 A		19	24	55	33.5	12	60	8.4	0 1 94 24 20 07
S 12	PB 630	G 3/8 A		22	24	55.5	34	12	100	10.0	0 1 65 68 20 07
S 14	PB 630	G 1/2 A		27	27	58.5	36.5	14	160	15.4	0 1 65 73 20 07
S 16	PB 400	G 1/2 A		27	30	61.5	37	14	160	16.3	0 1 65 78 20 07
S 20	PB 400	G 3/4 A		32	36	69.5	43	16	280	26.0	0 1 65 83 20 07
S 25	PB 400	G 1 A		41	46	78	48	18	440	48.5	0 1 65 88 20 07
S 30	PB 250	G 1 1/4 A		50	50	86.5	51	20	580	67.2	0 1 65 93 20 07
S 38	PB 250	G 1 1/2 A		55	60	101	60	22	700	96.9	0 1 65 98 20 07

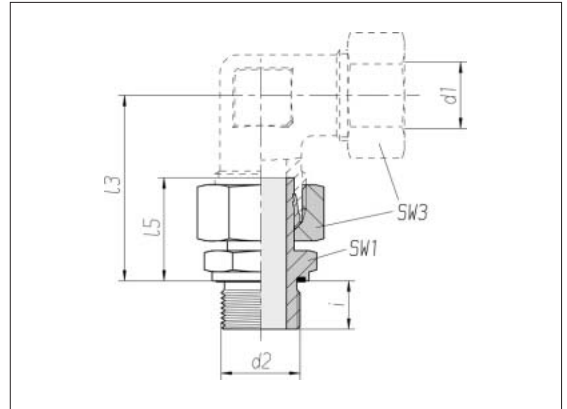
* Sample product code, see:
EVGE06LR

Straight stud standpipe adapters

Thread:
metric fine thread,
straight

Sealed with PEFLEX seal

Tube socket pre-assembled



Series Tube OD d1	Pressure	d2	SW1	SW3	l3	l5	i	Nm -10 %	kg/100 approx.	Order No.
L 6	PN 315	M 10 x 1	14	14	36.5	24.5	8	15	2.3	0 1 74 80 20 07*
L 8	PN 315	M 12 x 1.5	17	17	40.5	26.5	12	25	3.9	0 1 74 81 20 07
L 10	PN 315	M 14 x 1.5	19	19	42.5	27.5	12	50	4.9	0 1 74 82 20 07
L 12	PN 315	M 16 x 1.5	22	22	47.5	30.5	12	70	6.8	0 1 74 83 20 07
L 15	PN 315	M 18 x 1.5	24	27	52.5	31.5	12	90	9.8	0 1 74 84 20 07
L 18	PN 315	M 22 x 1.5	27	32	55	31.5	14	130	14.0	0 1 74 85 20 07
L 22	PN 160	M 26 x 1.5	32	36	60	32.5	16	180	19.4	0 1 74 86 20 07
L 28	PN 160	M 33 x 2	41	41	65.5	35	18	230	27.0	0 1 74 87 20 07
L 35	PN 160	M 42 x 2	50	50	77	42.5	20	330	45.3	0 1 74 88 20 07
L 42	PN 160	M 48 x 2	55	60	86.5	46.5	22	500	62.7	0 1 74 89 20 07
S 6	PN 630	M 12 x 1.5	17	17	43	27	12	50	4.3	0 1 74 90 20 07
S 8	PN 630	M 14 x 1.5	19	19	46.5	29.5	12	60	6.0	0 1 74 91 20 07
S 10	PN 630	M 16 x 1.5	22	22	49.5	32	12	80	8.6	0 1 74 92 20 07
S 12	PN 630	M 18 x 1.5	24	24	55.5	34	12	90	10.9	0 1 74 93 20 07
S 14	PN 630	M 20 x 1.5	27	27	58.5	36.5	14	130	14.6	0 1 74 94 20 07
S 16	PN 400	M 22 x 1.5	27	30	61.5	37	14	130	16.7	0 1 74 95 20 07
S 20	PN 400	M 27 x 2	32	36	69.5	43	16	200	25.4	0 1 74 96 20 07
S 25	PN 400	M 33 x 2	41	46	78	48	18	250	48.6	0 1 74 97 20 07
S 30	PN 400	M 42 x 2	50	50	86.5	51	20	500	66.2	0 1 74 98 20 07
S 38	PN 315	M 48 x 2	55	60	101	60	22	600	93.3	0 1 74 99 20 07

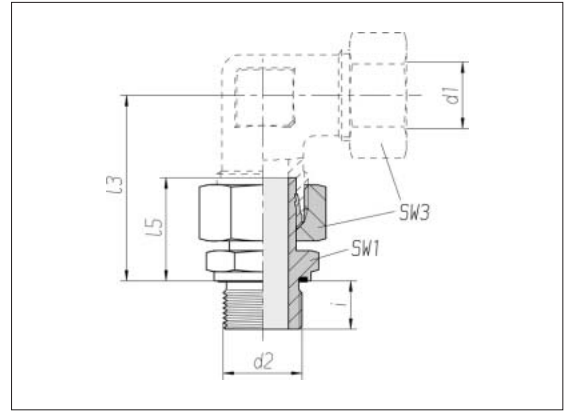
* Sample product code, see:
EVGE06LMED

Straight stud standpipe adapters

Thread:
Whitworth pipe thread,
straight

Sealed with PEFLEX seal

Tube socket pre-assembled



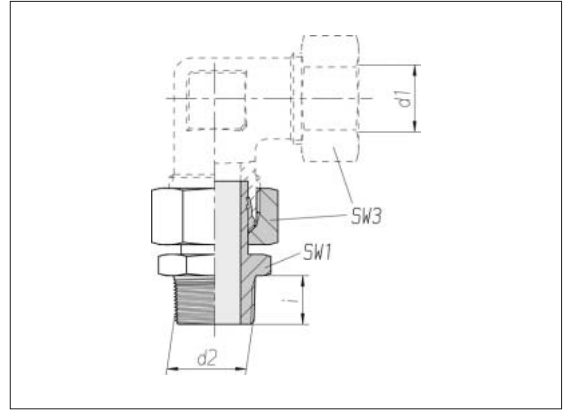
Series	Pressure	d2		SW1	SW3	l3	l5	i	Nm -10 %	kg/100 approx.	Order No.
Tube OD											
d1											
L 6	PN 315	G 1/8 A		14	14	36.5	24.5	8	20	2.3	0 1 77 80 20 07*
L 8	PN 315	G 1/4 A		19	17	43.5	29.5	12	50	4.6	0 1 77 81 20 07
L 10	PN 315	G 1/4 A		19	19	42.5	27.5	12	50	5.0	0 1 77 82 20 07
L 12	PN 315	G 1/4 A		19	22	50.5	33.5	12	50	7.0	1 1 77 03 20 07
L 12	PN 315	G 3/8 A		22	22	51	34	12	80	8.0	0 1 77 83 20 07
L 12	PN 315	G 1/2 A		27	22	51.5	34.5	14	100	10.1	1 1 77 01 20 07
L 15	PN 315	G 1/2 A		27	27	53	32	14	100	11.7	0 1 77 84 20 07
L 18	PN 315	G 1/2 A		27	32	55	31.5	14	100	13.4	0 1 77 85 20 07
L 22	PN 160	G 1/2 A		27	36	60	32.5	14	100	15.4	0 1 77 74 20 07
L 22	PN 160	G 3/4 A		32	36	60	32.5	16	180	18.4	0 1 77 86 20 07
L 28	PN 160	G 1 A		41	41	65.5	35	18	230	26.8	0 1 77 87 20 07
L 35	PN 160	G 1 1/4 A		50	50	77	42.5	20	330	43.9	0 1 77 88 20 07
L 42	PN 160	G 1 1/2 A		55	60	86.5	46.5	22	500	62.3	0 1 77 89 20 07
S 6	PN 630	G 1/4 A		19	17	43	27	12	60	4.9	0 1 77 90 20 07
S 8	PN 630	G 1/4 A		19	19	46.5	29.5	12	60	5.8	0 1 77 91 20 07
S 10	PN 630	G 3/8 A		22	22	49.5	32	12	90	8.7	0 1 77 92 20 07
S 12	PN 630	G 3/8 A		22	24	55.5	34	12	90	9.9	0 1 77 93 20 07
S 12	PN 630	G 1/2 A		27	24	56	34.5	14	150	12.8	0 1 77 79 20 07
S 14	PN 630	G 1/2 A		27	27	58.5	36.5	14	150	15.4	0 1 77 94 20 07
S 16	PN 400	G 1/2 A		27	30	61.5	37	14	150	16.2	0 1 77 95 20 07
S 20	PN 400	G 3/4 A		32	36	69.5	43	16	200	25.5	0 1 77 96 20 07
S 25	PN 400	G 1 A		41	46	78	48	18	250	48.8	0 1 77 97 20 07
S 30	PN 400	G 1 1/4 A		50	50	86.5	51	20	500	66.7	0 1 77 98 20 07
S 38	PN 315	G 1 1/2 A		55	60	101	60	22	600	95.3	0 1 77 99 20 07

* Sample product code, see:
EVGE06LRED

Straight stud standpipe adapters

Thread:
NPT (ANSI/ASME B 1
-20.01/01/1983)

Tube socket pre-assembled



Series	Pressure	d2	SW1	SW3	l3 approx.	l5 approx.	i	Nm -10 %	kg/100 approx.	Order No.
L 6	PN 315	1/8 NPT	11	14	38.5	26.5	9.9	15	2.2	0 1 72 80 20 07*
L 8	PN 315	1/4 NPT	14	17	43.5	29.5	15.1	35	3.5	0 1 72 81 20 07
L 10	PN 315	1/4 NPT	14	19	45.5	30.5	15.1	35	4.2	0 1 72 82 20 07
L 12	PN 315	3/8 NPT	19	22	50	33	15.2	55	7.2	0 1 72 83 20 07
L 15	PN 315	1/2 NPT	22	27	56.5	35.5	19.8	110	11.0	0 1 72 84 20 07
L 18	PN 315	1/2 NPT	22	32	58.5	35	19.8	110	13.0	0 1 72 85 20 07
L 22	PN 160	3/4 NPT	27	36	63.5	36	20.1	175	18.2	0 1 72 86 20 07
L 28	PN 160	1 NPT	36	41	71	40.5	25	265	25.9	0 1 72 87 20 07
L 35	PN 160	1 1/4 NPT	46	50	83	48.5	25.6	315	42.8	0 1 72 88 20 07
L 42	PN 160	1 1/2 NPT	50	60	92.5	52.5	26	385	57.5	0 1 72 89 20 07
S 6	PN 630	1/4 NPT	14	17	46	30	15.1	35	4.3	0 1 72 90 20 07
S 8	PN 630	1/4 NPT	14	19	49.9	32.5	15.1	35	4.9	0 1 72 91 20 07
S 10	PN 630	3/8 NPT	19	22	52	34.5	15.2	55	8.0	0 1 72 92 20 07
S 12	PN 630	3/8 NPT	19	24	58	36.5	15.2	55	8.6	0 1 72 93 20 07
S 14	PN 630	1/2 NPT	22	27	62	40	19.8	110	13.8	0 1 72 94 20 07
S 16	PN 400	1/2 NPT	22	30	65	40.5	19.8	110	14.7	0 1 72 95 20 07
S 20	PN 400	3/4 NPT	27	36	73	46.5	20.1	175	23.9	0 1 72 96 20 07
S 25	PN 400	1 NPT	36	46	83.5	53.5	25	265	46.0	0 1 72 97 20 07
S 30	PN 400	1 1/4 NPT	46	50	92.5	57	25.6	315	65.2	0 1 72 98 20 07
S 38	PN 315	1 1/2 NPT	50	60	107	66	26	385	86.3	0 1 72 99 20 07

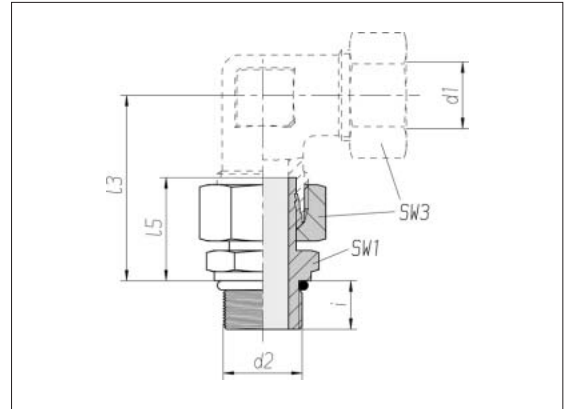
* Sample product code, see:
EVGE06L1/8NPT

Straight stud standpipe adapters

Thread:
UN/UNF
ISO 11926-2/3
SAE J 514

Sealed with O-ring

Tube socket pre-assembled

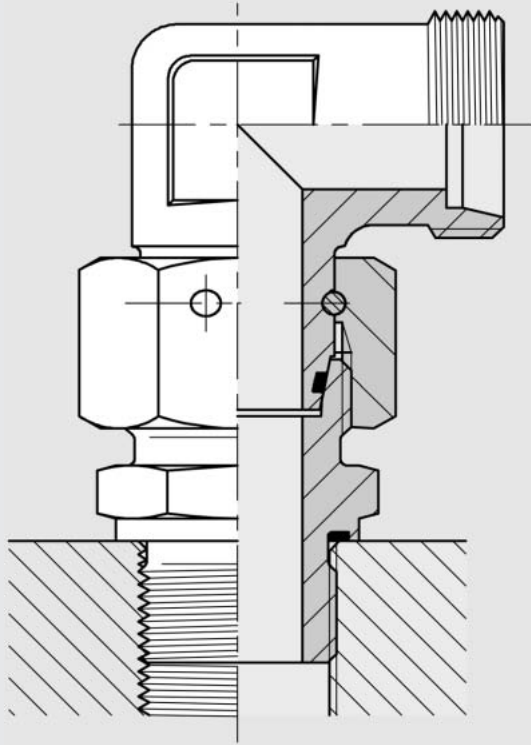


Series	Pressure	d2	SW1	SW3	l3	l5	i	Nm -10 %	kg/100 approx.	Order No.
L 8	PN 315	7/16-20 UNF-2A	17	17	41.5	27.5	9.2	18	3.7	0 1 73 01 20 07*
L 10	PN 315	9/16-18 UNF-2A	19	19	43	28	10.0	30	4.9	0 1 73 02 20 07
L 12	PN 315	3/ 4-16 UNF-2A	24	22	52.5	31.5	11.2	50	10.0	0 1 73 03 20 07
L 15	PN 315	3/ 4-16 UNF-2A	24	27	53.5	32.5	11.2	50	10.0	0 1 73 04 20 07
L 18	PN 315	3/ 4-16 UNF-2A	24	32	55.5	32	11.2	50	12.3	0 1 73 05 20 07
L 18	PN 315	7/ 8-14 UNF-2A	27	32	55.5	32	12.7	60	14.1	0 1 73 06 20 07
L 22	PN 160	7/ 8-14 UNF-2A	27	36	60	32.5	12.7	60	16.8	0 1 73 07 20 07
L 22	PN 160	1 1/16-12 UN -2A	36	36	60	32.5	15.0	95	21.4	0 1 73 08 20 07
L 28	PN 160	1 5/16-12 UN -2A	41	41	65.5	35	15.0	150	19.1	0 1 73 10 20 07
S 8	PN 630	7/16-20 UNF-2A	17	19	54	37	9.2	20	**	0 1 73 30 20 07
S 10	PN 630	9/16-18 UNF-2A	19	22	49.5	32	10.0	35	7.1	0 1 73 15 20 07
S 10	PN 630	3/ 4-16 UNF-2A	24	22	50	32.5	11.2	70	10.0	0 1 73 16 20 07
S 12	PN 630	7/16-20 UNF-2A	17	24	50.5	29	9.2	20	8.1	0 1 73 31 20 07
S 12	PN 630	3/ 4-16 UNF-2A	24	24	54	32.5	11.2	70	10.0	0 1 73 19 20 07
S 14	PN 630	3/ 4-16 UNF-2A	24	27	58.5	36.5	11.2	70	13.6	0 1 73 20 20 07
S 16	PN 400	3/ 4-16 UNF-2A	24	30	56.5	32	11.2	70	17.2	0 1 73 21 20 07
S 16	PN 400	7/ 8-14 UNF-2A	27	30	59.5	35	12.7	100	14.9	0 1 73 22 20 07
S 20	PN 400	7/ 8-14 UNF-2A	30	36	68.5	42	12.7	100	21.0	0 1 73 24 20 07
S 20	PN 400	1 1/16-12 UN -2A	36	36	68.5	42	15.0	170	28.7	0 1 73 25 20 07
S 20	PN 400	1 5/ 8-12 UN -2A	50	36	71.5	45	15.0	285	**	0 1 73 32 20 07
S 25	PN 400	1 1/16-12 UN -2A	32	46	78	48	15.0	170	**	0 1 73 33 20 07
S 25	PN 400	1 5/16-12 UN -2A	41	46	77	47	15.0	270	**	0 1 73 26 20 07
S 30	PN 400	1 5/ 8-12 UN -2A	50	50	86.5	51	15.0	285	**	0 1 73 34 20 07

* Sample product code, see:
EVGE08L7/16UNF

** On request

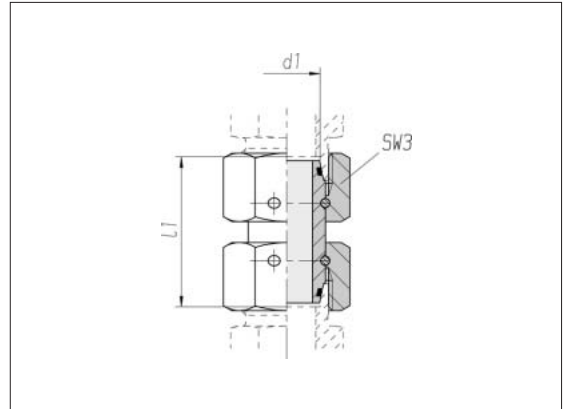
24° taper couplings



Experience plus ideas

Straight couplings

With taper and O-ring
fit in bore type
W DIN 3861 / ISO 8434-1



Series Tube OD d1	Pressure	SW3	l1	kg/100 approx.	Order No.
L 6	PN 500	14	39	3.1	1 1 78 00 20 58*
L 8	PN 500	17	39.5	4.6	1 1 78 01 20 58
L 10	PN 500	19	39.5	6.0	1 1 78 02 20 58
L 12	PN 400	22	39.5	7.9	1 1 78 03 20 58
L 15	PN 400	27	42.5	14.8	1 1 78 04 20 58
L 18	PN 400	32	45	18.8	1 1 78 05 20 58
L 22	PN 250	36	49.5	25.6	1 1 78 06 20 58
L 28	PN 250	41	51.5	31.7	1 1 78 07 20 58
L 35	PN 250	50	61	49.8	1 1 78 08 20 58
L 42	PN 250	60	62.5	78.1	1 1 78 09 20 58
S 6	PN 800	17	40.5	4.7	1 1 78 10 20 58
S 8	PN 800	19	40.5	6.1	1 1 78 11 20 58
S 10	PN 800	22	43.5	8.5	1 1 78 12 20 58
S 12	PN 630	24	44	10.4	1 1 78 13 20 58
S 14	PN 630	27	48.5	15.6	1 1 78 14 20 58
S 16	PN 630	30	49	18.6	1 1 78 15 20 58
S 20	PN 420	36	60.5	29.6	1 1 78 16 20 58
S 25	PN 420	46	67.5	56.9	1 1 78 17 20 58
S 30	PN 420	50	72.5	68.6	1 1 78 18 20 58
S 38	PN 420	60	83	99.6	1 1 78 19 20 58

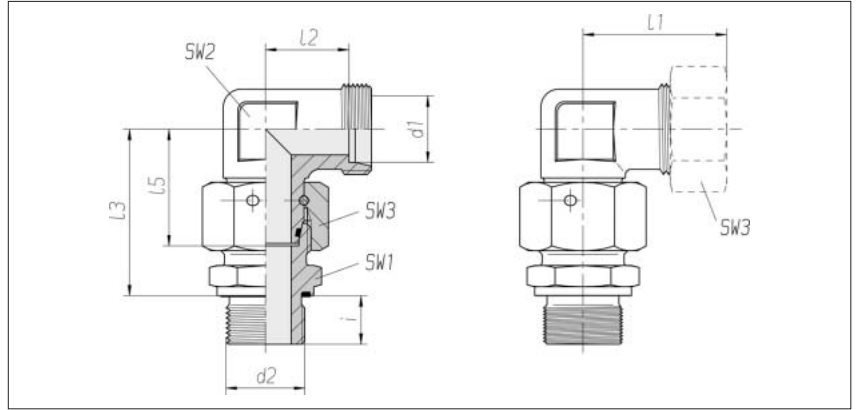
* Sample product code, see:
GZ06LVIT

Adjustable stud elbows

With taper and O-ring
Cutting ring connection
at tube end

Thread:
metric fine thread,
straight

Sealed with PEFLEX seal



Series	Pressure	d2	SW1	SW2	SW3	l1*	l2	l3	l5	i	kg/100	Order No.	Order No.
Tube OD						approx.					approx.	Single component	**
d1													
L 6	PN 500	M 10 x 1	14	12	14	27	12	34.5	26	8	5.5	1 1 58 01 20 00***	1 1 58 00 20 XX
L 8	PN 500	M 12 x 1.5	17	14	17	29	14	37.5	27.5	12	8.3	1 1 58 06 20 00	1 1 58 05 20 XX
L 10	PN 500	M 14 x 1.5	19	14	19	30	15	40	29	12	8.1	1 1 58 11 20 00	1 1 58 10 20 XX
L 12	PN 400	M 16 x 1.5	22	19	22	32	17	42	29.5	12	14.8	1 1 58 16 20 00	1 1 58 15 20 XX
L 15	PN 400	M 18 x 1.5	24	19	27	36	21	46	32.5	12	18.3	1 1 58 21 20 00	1 1 58 20 20 XX
L 18	PN 400	M 22 x 1.5	27	24	32	40	23.5	50	35.5	14	25.9	1 1 58 26 20 00	1 1 58 25 20 XX
L 22	PN 250	M 26 x 1.5	32	27	36	44	27.5	55	38.5	16	35.3	1 1 58 31 20 00	1 1 58 30 20 XX
L 28	PN 250	M 33 x 2	41	36	41	47	30.5	59	41.5	18	52.0	1 1 58 36 20 00	1 1 58 35 20 XX
L 35	PN 250	M 42 x 2	50	41	50	56	34.5	68.5	51	20	87.2	1 1 58 41 20 00	1 1 58 40 20 XX
L 42	PN 250	M 48 x 2	55	50	60	63	40	75	56	22	127.6	1 1 58 46 20 00	1 1 58 45 20 XX
S 6	PN 800	M 12 x 1.5	17	14	17	31	16	40	27	12	9.5	1 1 58 51 20 00	1 1 58 50 20 XX
S 8	PN 800	M 14 x 1.5	19	17	19	32	17	42.5	27.5	12	12.6	1 1 58 56 20 00	1 1 58 55 20 XX
S 10	PN 800	M 16 x 1.5	22	19	22	34	17.5	45	30	12	17.5	1 1 58 61 20 00	1 1 58 60 20 XX
S 12	PN 630	M 18 x 1.5	24	17	24	38	21.5	48	31	12	17.8	1 1 58 66 20 00	1 1 58 65 20 XX
S 14	PN 630	M 20 x 1.5	27	19	27	40	22	54	35	14	14.9	1 1 58 71 20 00	1 1 58 70 20 XX
S 16	PN 630	M 22 x 1.5	27	24	30	43	24.5	55	36.5	14	30.0	1 1 58 76 20 00	1 1 58 75 20 XX
S 20	PN 420	M 27 x 2	32	27	36	48	26.5	65	44.5	16	30.7	1 1 58 81 20 00	1 1 58 80 20 XX
S 25	PN 420	M 33 x 2	41	36	46	54	30	73	50	18	82.3	1 1 58 86 20 00	1 1 58 85 20 XX
S 30	PN 420	M 42 x 2	50	41	50	62	35.5	78.5	55	20	78.1	1 1 58 91 20 00	1 1 58 90 20 XX
S 38	PN 420	M 48 x 2	55	50	60	72	41	89	63	22	116.9	1 1 58 96 20 00	1 1 58 95 20 XX

Special pressure stages apply in combination with the 2S cutting ring (refer to Page 48)

Supplementary to Order No. for complete fitting
tube connection Supplementary to Order No.

2S	07
ES-4	09
BV-10	Refer to the front page

* Apply to complete fittings with 2S or ES-4 tube connection components.
For BV-10 Refer to the front page.

** With union nut and 2S, ES-4 or BV-10 tube connection components

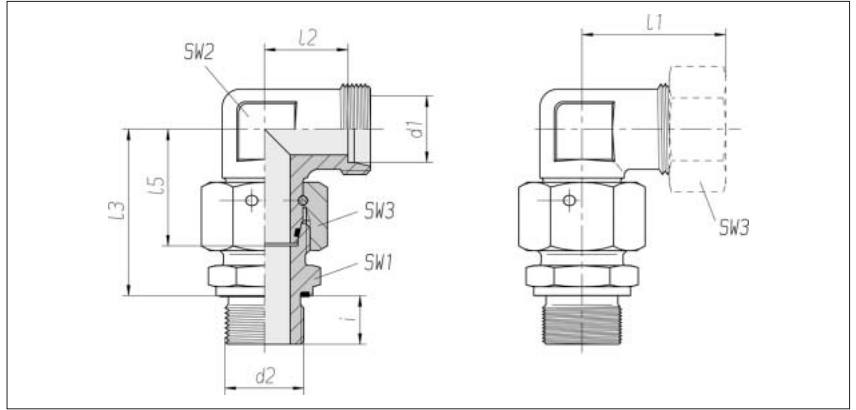
*** Sample product code, see: EW06LMEDOMD

Adjustable stud elbows

With taper and O-ring
Cutting ring connection
at tube end

Thread:
Whitworth pipe thread,
straight

Sealed with PEFLEX seal



Series Tube OD d1	Pressure	d2		SW1	SW2	SW3	l1* approx.	l2	l3	l5	i	kg/100 approx.	Order No. Single component	Order No. **
L 6	PN 500	G 1/8 A		14	12	14	27	12	34.5	26	8	5.5	1 1 59 01 20 00***	1 1 59 00 20 XX
L 8	PN 500	G 1/4 A		19	14	17	29	14	37.5	27.5	12	8.8	1 1 59 06 20 00	1 1 59 05 20 XX
L 10	PN 500	G 1/4 A		19	14	19	30	15	40	29	12	8.3	1 1 59 11 20 00	1 1 59 10 20 XX
L 12	PN 400	G 3/8 A		22	19	22	32	17	42	29.5	12	15.1	1 1 59 16 20 00	1 1 59 15 20 XX
L 15	PN 400	G 1/2 A		27	19	27	36	21	46.5	32.5	14	19.9	1 1 59 21 20 00	1 1 59 20 20 XX
L 18	PN 400	G 1/2 A		27	24	32	40	23.5	50	35.5	14	25.8	1 1 59 26 20 00	1 1 59 25 20 XX
L 22	PN 250	G 3/4 A		32	27	36	44	27.5	55	38.5	16	35.4	1 1 59 31 20 00	1 1 59 30 20 XX
L 28	PN 250	G 1 A		41	36	41	47	30.5	59	41.5	18	51.2	1 1 59 36 20 00	1 1 59 35 20 XX
L 35	PN 250	G 1 1/4 A		50	41	50	56	34.5	68.5	51	20	87.6	1 1 59 41 20 00	1 1 59 40 20 XX
L 42	PN 250	G 1 1/2 A		55	50	60	63	40	75	56	22	127.5	1 1 59 46 20 00	1 1 59 45 20 XX
S 6	PN 800	G 1/4 A		19	14	17	31	16	40	27	12	9.7	1 1 59 51 20 00	1 1 59 50 20 XX
S 8	PN 800	G 1/4 A		19	17	19	32	17	42.5	27.5	12	12.5	1 1 59 56 20 00	1 1 59 55 20 XX
S 10	PN 800	G 3/8 A		22	19	22	34	17.5	45	30	12	11.9	1 1 59 61 20 00	1 1 59 60 20 XX
S 12	PN 630	G 3/8 A		22	17	24	38	21.5	48	31	12	17.0	1 1 59 66 20 00	1 1 59 65 20 XX
S 14	PN 630	G 1/2 A		27	19	27	40	22	54	35	14	14.9	1 1 59 71 20 00	1 1 59 70 20 XX
S 16	PN 630	G 1/2 A		27	24	30	43	22	55	36.5	14	29.0	1 1 59 76 20 00	1 1 59 75 20 XX
S 20	PN 420	G 3/4 A		32	27	36	48	26.5	65	44.5	16	45.0	1 1 59 81 20 00	1 1 59 80 20 XX
S 25	PN 420	G 1 A		41	36	46	54	30	73	50	18	83.8	1 1 59 86 20 00	1 1 59 85 20 XX
S 30	PN 420	G 1 1/4 A		50	41	50	62	35.5	78.5	55	20	118.4	1 1 59 91 20 00	1 1 59 90 20 XX
S 38	PN 420	G 1 1/2 A		55	50	60	72	41	89	63	22	173.8	1 1 59 96 20 00	1 1 59 95 20 XX

Special pressure stages apply in
combination with the 2S cutting
ring (refer to Page 48)

Supplementary to Order No. for complete fitting	
tube connection	Supplementary to Order No.
2S	07
ES-4	09
BV-10	Refer to the front page

* Apply to complete fittings with
2S or ES-4 tube connection
components.
For BV-10 Refer to the front page.

** With union nut and 2S, ES-4
or BV-10 tube connection
components

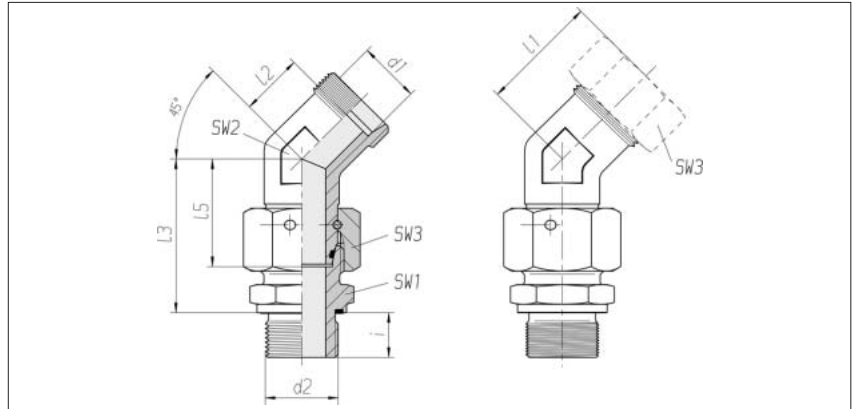
*** Sample product code, see:
EW06LREDOMD

Adjustable 45° stud elbows

With taper and O-ring
Cutting ring connection
at tube end

Thread:
metric fine thread,
straight

Sealed with PEFLEX seal



Series	Pressure	d2	SW1	SW2	SW3	l1* approx.	l2	l3	l5	i	kg/100 approx.	Order No. Single component	Order No. **
L 6	PN 315	M 10 x 1	14	19	14	29	14	34.5	26	8	***	1 1 70 01 20 00****	1 1 70 00 20 XX
L 8	PN 315	M 12 x 1.5	17	19	17	30	15	37.5	27.5	12	***	1 1 70 06 20 00	1 1 70 05 20 XX
L 10	PN 315	M 14 x 1.5	19	19	19	31	16	40	29	12	***	1 1 70 11 20 00	1 1 70 10 20 XX
L 12	PN 315	M 16 x 1.5	22	19	22	32	17	42	29.5	12	***	1 1 70 16 20 00	1 1 70 15 20 XX
L 15	PN 315	M 18 x 1.5	24	19	27	32	17	46	32.5	12	***	1 1 70 21 20 00	1 1 70 20 20 XX
L 18	PN 315	M 22 x 1.5	27	24	32	35.5	19	50	35.5	14	***	1 1 70 26 20 00	1 1 70 25 20 XX
L 22	PN 160	M 26 x 1.5	32	27	36	39	22.5	55	38.5	16	***	1 1 70 31 20 00	1 1 70 30 20 XX
L 28	PN 160	M 33 x 2	41	36	41	41	24.5	59	41.5	18	***	1 1 70 36 20 00	1 1 70 35 20 XX
L 35	PN 160	M 42 x 2	50	41	50	48.5	27	68.5	51	20	***	1 1 70 41 20 00	1 1 70 40 20 XX
L 42	PN 160	M 48 x 2	55	50	60	49	26	75	56	22	***	1 1 70 46 20 00	1 1 70 45 20 XX
S 6	PN 630	M 12 x 1.5	17	19	17	31	16	40	27	12	***	1 1 70 51 20 00	1 1 70 50 20 XX
S 8	PN 630	M 14 x 1.5	19	19	19	31	16	42.5	27.5	12	***	1 1 70 56 20 00	1 1 70 55 20 XX
S 10	PN 630	M 16 x 1.5	22	19	22	33	16.5	45	30	12	***	1 1 70 61 20 00	1 1 70 60 20 XX
S 12	PN 630	M 18 x 1.5	24	19	24	33.5	17	48	31	12	***	1 1 70 66 20 00	1 1 70 65 20 XX
S 14	PN 630	M 20 x 1.5	27	19	27	35	17	54	35	14	***	1 1 70 71 20 00	1 1 70 70 20 XX
S 16	PN 400	M 22 x 1.5	27	24	30	37.5	19	55	36.5	14	***	1 1 70 76 20 00	1 1 70 75 20 XX
S 20	PN 400	M 27 x 2	32	27	36	43	21.5	65	44.5	16	***	1 1 70 81 20 00	1 1 70 80 20 XX
S 25	PN 400	M 33 x 2	41	36	46	47	23	73	50	18	***	1 1 70 86 20 00	1 1 70 85 20 XX
S 30	PN 400	M 42 x 2	50	41	50	50.5	24	78.5	55	20	***	1 1 70 91 20 00	1 1 70 90 20 XX
S 38	PN 315	M 48 x 2	55	50	60	52	21	89	63	22	***	1 1 70 96 20 00	1 1 70 95 20 XX

Supplementary to Order No. for complete fitting tube connection	Supplementary to Order No.
2S	07
ES-4	09
BV-10	Refer to the front page

* Apply to complete fittings with 2S or ES-4 tube connection components.
For BV-10 Refer to the front page..

** With union nut and 2S, ES-4 or BV-10 tube connection components

*** On request

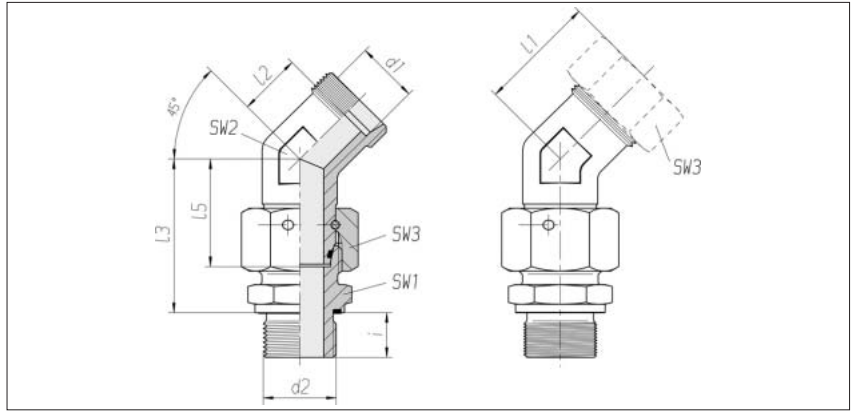
**** Sample product code, see: EV06LMEDOMD

Adjustable 45° stud elbows

With taper and O-ring
Cutting ring connection
at tube end

Thread:
Whitworth pipe thread,
straight

Sealed with PEFLEX seal



Series	Pressure	d2		SW1	SW2	SW3	l1*	l2	l3	l5	i	kg/100	Order No.	Order No.
Tube OD							approx.					approx.	Single component	**
d1														
L 6	PN 315	G 1/8 A	14	19	14	29	14	34.5	26	8	***	1 1 72 01 20 00****	1 1 72 00 20 XX	
L 8	PN 315	G 1/4 A	17	19	17	30	15	37.5	27.5	12	***	1 1 72 06 20 00	1 1 72 05 20 XX	
L 10	PN 315	G 1/4 A	19	19	19	31	16	40	29	12	***	1 1 72 11 20 00	1 1 72 10 20 XX	
L 12	PN 315	G 3/8 A	22	19	22	32	17	42	29.5	12	***	1 1 72 16 20 00	1 1 72 15 20 XX	
L 15	PN 315	G 1/2 A	24	19	27	32	17	46	32.5	14	***	1 1 72 21 20 00	1 1 72 20 20 XX	
L 18	PN 315	G 1/2 A	27	24	32	35.5	19	50	35.5	14	***	1 1 72 26 20 00	1 1 72 25 20 XX	
L 22	PN 160	G 3/4 A	32	27	36	39	22.5	55	38.5	16	***	1 1 72 31 20 00	1 1 72 30 20 XX	
L 28	PN 160	G 1 A	41	36	41	41	24.5	59	41.5	18	***	1 1 72 36 20 00	1 1 72 35 20 XX	
L 35	PN 160	G 1 1/4 A	50	41	50	48.5	27	68.5	51	20	***	1 1 72 41 20 00	1 1 72 40 20 XX	
L 42	PN 160	G 1 1/2 A	55	50	60	49	26	75	56	22	***	1 1 72 46 20 00	1 1 72 45 20 XX	
S 6	PN 630	G 1/4 A	17	19	17	31	16	40	27	12	***	1 1 72 51 20 00	1 1 72 50 20 XX	
S 8	PN 630	G 1/4 A	19	19	19	31	16	42.5	27.5	12	***	1 1 72 56 20 00	1 1 72 55 20 XX	
S 10	PN 630	G 3/8 A	22	19	22	33	16.5	45	30	12	***	1 1 72 61 20 00	1 1 72 60 20 XX	
S 12	PN 630	G 3/8 A	24	19	24	33.5	17	48	31	12	***	1 1 72 66 20 00	1 1 72 65 20 XX	
S 14	PN 630	G 1/2 A	27	19	27	35	17	54	35	14	***	1 1 72 71 20 00	1 1 72 70 20 XX	
S 16	PN 400	G 1/2 A	27	24	30	37.5	19	55	36.5	14	***	1 1 72 76 20 00	1 1 72 75 20 XX	
S 20	PN 400	G 3/4 A	32	27	36	43	21.5	65	44.5	16	***	1 1 72 81 20 00	1 1 72 80 20 XX	
S 25	PN 400	G 1 A	41	36	46	47	23	73	50	18	***	1 1 72 86 20 00	1 1 72 85 20 XX	
S 30	PN 400	G 1 1/4 A	50	41	50	50.5	24	78.5	55	20	***	1 1 72 91 20 00	1 1 72 90 20 XX	
S 38	PN 315	G 1 1/2 A	55	50	60	52	21	89	63	22	***	1 1 72 96 20 00	1 1 72 95 20 XX	

Supplementary to Order No. for complete fitting tube connection	Supplementary to Order No.
2S	07
ES-4	09
BV-10	Refer to the front page

* Apply to complete fittings with
2S or ES-4 tube connection
components.
For BV-10 Refer to the front page.

** With union nut and 2S, ES-4
or BV-10 tube connection
components

*** On request

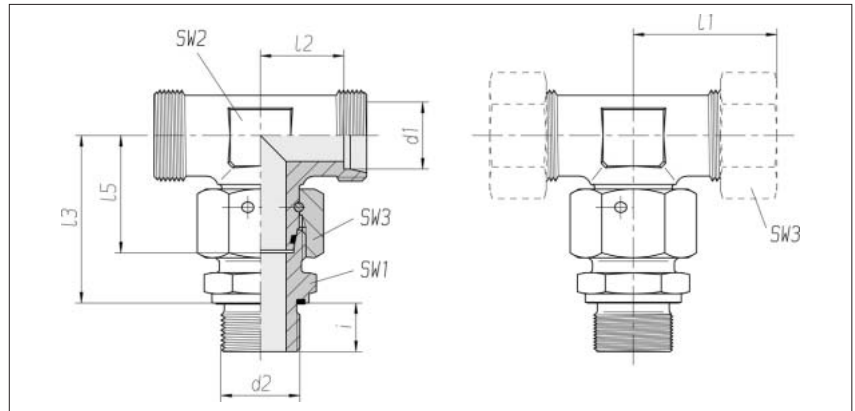
**** Sample product code, see:
EV06LREDOMD

Adjustable stud branch tees

With taper and O-ring
Cutting ring connection
at tube end

Thread:
metric fine thread,
straight

Sealed with PEFLEX seal



3

Series	Pressure	d2	SW1	SW2	SW3	l1*	l2	l3	l5	i	kg/100 approx.	Order No. Single component	Order No. **
Tube OD						approx.							
d1													
L 6	PN 500	M 10 x 1	14	12	14	27	12	34.5	26	8	4.9	1 1 60 01 20 00***	1 1 60 00 20 XX
L 8	PN 500	M 12 x 1.5	17	14	17	29	14	37.5	27.5	12	9.4	1 1 60 06 20 00	1 1 60 05 20 XX
L 10	PN 500	M 14 x 1.5	19	17	19	30	15	40	29	12	12.5	1 1 60 11 20 00	1 1 60 10 20 XX
L 12	PN 400	M 16 x 1.5	22	19	22	32	17	42	29.5	12	16.3	1 1 60 16 20 00	1 1 60 15 20 XX
L 15	PN 400	M 18 x 1.5	24	19	27	36	21	46	32.5	12	20.5	1 1 60 21 20 00	1 1 60 20 20 XX
L 18	PN 400	M 22 x 1.5	27	24	32	40	23.5	50	35.5	14	28.5	1 1 60 26 20 00	1 1 60 25 20 XX
L 22	PN 250	M 26 x 1.5	32	27	36	44	27.5	55	38.5	16	38.8	1 1 60 31 20 00	1 1 60 30 20 XX
L 28	PN 250	M 33 x 2	41	36	41	47	30.5	59	41.5	18	56.8	1 1 60 36 20 00	1 1 60 35 20 XX
L 35	PN 250	M 42 x 2	50	41	50	56	34.5	68.5	51	20	68.6	1 1 60 41 20 00	1 1 60 40 20 XX
L 42	PN 250	M 48 x 2	55	50	60	63	40	75	56	22	105.8	1 1 60 46 20 00	1 1 60 45 20 XX
S 6	PN 800	M 12 x 1.5	17	14	17	31	16	40	27	12	8.1	1 1 60 51 20 00	1 1 60 50 20 XX
S 8	PN 800	M 14 x 1.5	19	17	19	32	17	42.5	27.5	12	10.4	1 1 60 56 20 00	1 1 60 55 20 XX
S 10	PN 800	M 16 x 1.5	22	19	22	34	17.5	45	30	12	15.3	1 1 60 61 20 00	1 1 60 60 20 XX
S 12	PN 630	M 18 x 1.5	24	17	24	38	21.5	48	31	12	13.4	1 1 60 66 20 00	1 1 60 65 20 XX
S 14	PN 630	M 20 x 1.5	27	19	27	40	22	54	35	14	27.5	1 1 60 71 20 00	1 1 60 70 20 XX
S 16	PN 630	M 22 x 1.5	27	24	30	43	24.5	55	36.5	14	33.0	1 1 60 76 20 00	1 1 60 75 20 XX
S 20	PN 420	M 27 x 2	32	27	36	48	26.5	65	44.5	16	36.4	1 1 60 81 20 00	1 1 60 80 20 XX
S 25	PN 420	M 33 x 2	41	36	46	54	30	73	50	18	92.9	1 1 60 86 20 00	1 1 60 85 20 XX
S 30	PN 420	M 42 x 2	50	41	50	62	35.5	78.5	55	20	91.1	1 1 60 91 20 00	1 1 60 90 20 XX
S 38	PN 420	M 48 x 2	55	50	60	72	41	89	63	22	141.4	1 1 60 96 20 00	1 1 60 95 20 XX

Special pressure stages apply in combination with the 2S cutting ring (refer to Page 48)

Supplementary to Order No. for complete fitting tube connection	Supplementary to Order No.
2S	07
ES-4	09
BV-10	Refer to the front page

* Apply to complete fittings with 2S or ES-4 tube connection components.
For BV-10 Refer to the front page.

** With union nut and 2S, ES-4 or BV-10 tube connection components

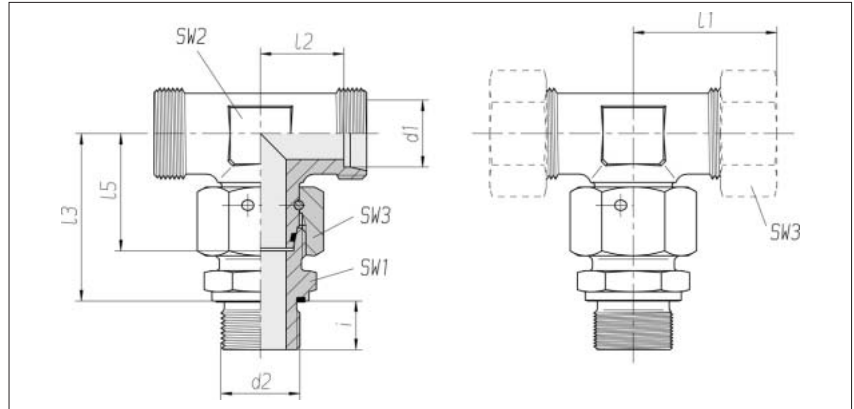
*** Sample product code, see: ET06LMEDOMD

Adjustable stud branch tees

With taper and O-ring
Cutting ring connection
at tube end

Thread:
Whitworth pipe thread,
straight

Sealed with PEFLEX seal



Series Tube OD d1	Pressure	d2		SW1	SW2	SW3	l1* approx.	l2	l3	l5	i	kg/100 approx.	Order No. Single component	Order No. **
L 6	PN 500	G 1/8 A		14	12	14	27	12	34.5	26	8	6.2	1 1 61 01 20 00***	1 1 61 00 20 XX
L 8	PN 500	G 1/4 A		19	14	17	29	14	37.5	27.5	12	7.2	1 1 61 06 20 00	1 1 61 05 20 XX
L 10	PN 500	G 1/4 A		19	17	19	30	15	40	29	12	12.2	1 1 61 11 20 00	1 1 61 10 20 XX
L 12	PN 400	G 3/8 A		22	19	22	32	17	42	29.5	12	16.5	1 1 61 16 20 00	1 1 61 15 20 XX
L 15	PN 400	G 1/2 A		27	19	27	36	21	46.5	32.5	14	15.4	1 1 61 21 20 00	1 1 61 20 20 XX
L 18	PN 400	G 1/2 A		27	24	32	40	23.5	50	35.5	14	28.0	1 1 61 26 20 00	1 1 61 25 20 XX
L 22	PN 250	G 3/4 A		32	27	36	44	27.5	55	38.5	16	38.4	1 1 61 31 20 00	1 1 61 30 20 XX
L 28	PN 250	G 1 A		41	36	41	47	30.5	59	41.5	18	57.0	1 1 61 36 20 00	1 1 61 35 20 XX
L 35	PN 250	G 1 1/4 A		50	41	50	56	34.5	68.5	51	20	96.7	1 1 61 41 20 00	1 1 61 40 20 XX
L 42	PN 250	G 1 1/2 A		55	50	60	63	40	75	56	22	140.2	1 1 61 46 20 00	1 1 61 45 20 XX
S 6	PN 800	G 1/4 A		19	14	17	31	16	40	27	12	8.0	1 1 61 51 20 00	1 1 61 50 20 XX
S 8	PN 800	G 1/4 A		19	17	19	32	17	42.5	27.5	12	14.7	1 1 61 56 20 00	1 1 61 55 20 XX
S 10	PN 800	G 3/8 A		22	19	22	34	17.5	45	30	12	15.4	1 1 61 61 20 00	1 1 61 60 20 XX
S 12	PN 630	G 3/8 A		22	17	24	38	21.5	48	31	12	27.2	1 1 61 66 20 00	1 1 61 65 20 XX
S 14	PN 630	G 1/2 A		27	19	27	40	22	54	35	14	28.0	1 1 61 71 20 00	1 1 61 70 20 XX
S 16	PN 630	G 1/2 A		27	24	30	43	24.5	55	36.5	14	33.5	1 1 61 76 20 00	1 1 61 75 20 XX
S 20	PN 420	G 3/4 A		32	27	36	48	26.5	65	44.5	16	50.7	1 1 61 81 20 00	1 1 61 80 20 XX
S 25	PN 420	G 1 A		41	36	46	54	30	73	50	18	93.0	1 1 61 86 20 00	1 1 61 85 20 XX
S 30	PN 420	G 1 1/4 A		50	41	50	62	35.5	78.5	55	20	132.6	1 1 61 91 20 00	1 1 61 90 20 XX
S 38	PN 420	G 1 1/2 A		55	50	60	72	41	89	63	22	141.4	1 1 61 96 20 00	1 1 61 95 20 XX

Special pressure stages apply in
combination with the 2S cutting
ring (refer to Page 48)

Supplementary to Order No. for complete fitting tube connection		Supplementary to Order No.
2S		07
ES-4		09
BV-10		Refer to the front page

* Apply to complete fittings with
2S or ES-4 tube connection
components.
For BV-10 Refer to the front page.

** With union nut and 2S, ES-4
or BV-10 tube connection
components

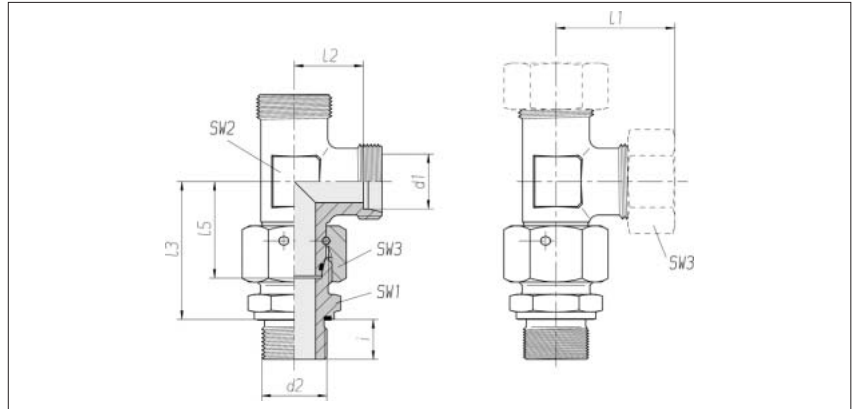
*** Sample product code, see:
ET06LREDOMD

Adjustable stud barrel tees

With taper and O-ring
Cutting ring connection at
tube end

Thread:
metric fine thread,
straight

Sealed with PEFLEX seal



Series	Pressure	d2	SW1	SW2	SW3	l1* approx.	l2	l3	l5	i	kg/100 approx.	Order No. Single component	Order No. **
L 6	PN 500	M 10 x 1	14	12	14	27	12	34.5	26	8	6.2	1 1 62 01 20 00***	1 1 62 00 20 XX
L 8	PN 500	M 12 x 1.5	17	14	17	29	14	37.5	27.5	12	9.3	1 1 62 06 20 00	1 1 62 05 20 XX
L 10	PN 500	M 14 x 1.5	19	17	19	30	15	40	29	12	12.3	1 1 62 11 20 00	1 1 62 10 20 XX
L 12	PN 400	M 16 x 1.5	22	19	22	32	17	42	29.5	12	16.3	1 1 62 16 20 00	1 1 62 15 20 XX
L 15	PN 400	M 18 x 1.5	24	19	27	36	21	46	32.5	12	20.5	1 1 62 21 20 00	1 1 62 20 20 XX
L 18	PN 400	M 22 x 1.5	27	24	32	40	23.5	50	35.5	14	28.0	1 1 62 26 20 00	1 1 62 25 20 XX
L 22	PN 250	M 26 x 1.5	32	27	36	44	27.5	55	38.5	16	39.0	1 1 62 31 20 00	1 1 62 30 20 XX
L 28	PN 250	M 33 x 2	41	36	41	47	30.5	59	41.5	18	56.5	1 1 62 36 20 00	1 1 62 35 20 XX
L 35	PN 250	M 42 x 2	50	41	50	56	34.5	68.5	51	20	68.4	1 1 62 41 20 00	1 1 62 40 20 XX
L 42	PN 250	M 48 x 2	55	50	60	63	40	75	56	22	140.4	1 1 62 46 20 00	1 1 62 45 20 XX
S 6	PN 800	M 12 x 1.5	19	14	17	31	16	40	27	12	7.9	1 1 62 51 20 00	1 1 62 50 20 XX
S 8	PN 800	M 14 x 1.5	19	17	19	32	17	42.5	27.5	12	14.6	1 1 62 56 20 00	1 1 62 55 20 XX
S 10	PN 800	M 16 x 1.5	22	19	22	34	17.5	45	30	12	14.5	1 1 62 61 20 00	1 1 62 60 20 XX
S 12	PN 630	M 18 x 1.5	24	17	24	38	21.5	48	31	12	13.7	1 1 62 66 20 00	1 1 62 65 20 XX
S 14	PN 630	M 20 x 1.5	27	19	27	40	22	54	35	14	17.9	1 1 62 71 20 00	1 1 62 70 20 XX
S 16	PN 630	M 22 x 1.5	27	24	30	43	24.5	55	36.5	14	33.2	1 1 62 76 20 00	1 1 62 75 20 XX
S 20	PN 420	M 27 x 2	32	27	36	48	26.5	65	44.5	16	50.6	1 1 62 81 20 00	1 1 62 80 20 XX
S 25	PN 420	M 33 x 2	41	36	46	54	30	73	50	18	26.3	1 1 62 86 20 00	1 1 62 85 20 XX
S 30	PN 420	M 42 x 2	50	41	50	62	35.5	78.5	55	20	92.3	1 1 62 91 20 00	1 1 62 90 20 XX
S 38	PN 420	M 48 x 2	55	50	60	72	41	89	63	22	139.9	1 1 62 96 20 00	1 1 62 95 20 XX

Special pressure stages apply in
combination with the 2S cutting
ring (refer to Page 48)

Supplementary to Order No. for complete fitting tube connection	Supplementary to Order No.
2S	07
ES-4	09
BV-10	Refer to the front page

* Apply to complete fittings with
2S or ES-4 tube connection
components.
For BV-10 Refer to the front page.

** With union nut and 2S, ES-4
or BV-10 tube connection
components

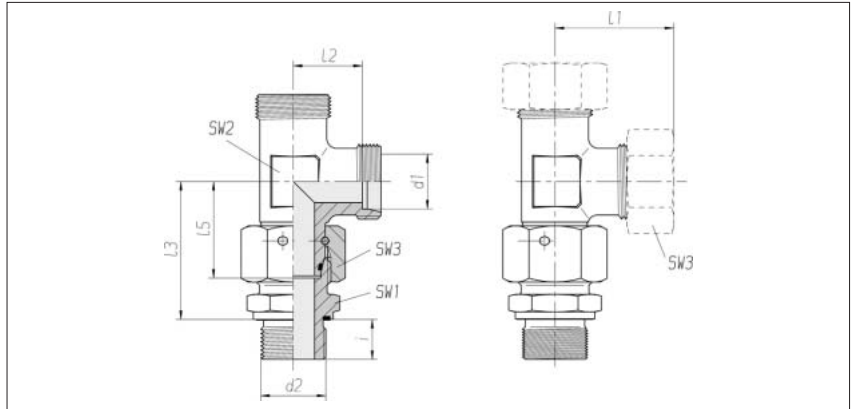
*** Sample product code, see:
EL06LMEDOMD

Adjustable stud barrel tees

With taper and O-ring
Cutting ring connection
at tube end

Thread:
Whitworth pipe thread,
straight

Sealed with PEFLEX seal



Series Tube OD d1	Pressure	d2		SW1	SW2	SW3	l1* approx.	l2	l3	l5	i	kg/100 approx.	Order No. Single component	Order No. **
L 6	PN 500	G 1/8 A		14	12	14	27	12	34.5	26	8	6.1	1 1 63 01 20 00***	1 1 63 00 20 XX
L 8	PN 500	G 1/4 A		19	14	17	29	14	37.5	27.5	12	9.8	1 1 63 06 20 00	1 1 63 05 20 XX
L 10	PN 500	G 1/4 A		19	17	19	30	15	40	29	12	12.4	1 1 63 11 20 00	1 1 63 10 20 XX
L 12	PN 400	G 3/8 A		22	19	22	32	17	42	29.5	12	16.5	1 1 63 16 20 00	1 1 63 15 20 XX
L 15	PN 400	G 1/2 A		27	19	27	36	21	46.5	32.5	14	22.7	1 1 63 21 20 00	1 1 63 20 20 XX
L 18	PN 400	G 1/2 A		27	24	32	40	23.5	50	35.5	14	27.8	1 1 63 26 20 00	1 1 63 25 20 XX
L 22	PN 250	G 3/4 A		32	27	36	44	27.5	55	38.5	16	38.0	1 1 63 31 20 00	1 1 63 30 20 XX
L 28	PN 250	G 1 A		41	36	41	47	30.5	59	41.5	18	56.4	1 1 63 36 20 00	1 1 63 35 20 XX
L 35	PN 250	G 1 1/4 A		50	41	50	56	34.5	68.5	51	20	68.4	1 1 63 41 20 00	1 1 63 40 20 XX
L 42	PN 250	G 1 1/2 A		55	50	60	63	40	75	56	22	140.0	1 1 63 46 20 00	1 1 63 45 20 XX
S 6	PN 800	G 1/4 A		19	14	17	31	16	40	27	12	7.9	1 1 63 51 20 00	1 1 63 50 20 XX
S 8	PN 800	G 1/4 A		19	17	19	32	17	42.5	27.5	12	14.5	1 1 63 56 20 00	1 1 63 55 20 XX
S 10	PN 800	G 3/8 A		22	19	22	34	17.5	45	30	12	17.8	1 1 63 61 20 00	1 1 63 60 20 XX
S 12	PN 630	G 3/8 A		22	17	24	38	21.5	48	31	12	19.6	1 1 63 66 20 00	1 1 63 65 20 XX
S 14	PN 630	G 1/2 A		27	19	27	40	22	54	35	14	17.9	1 1 63 71 20 00	1 1 63 70 20 XX
S 16	PN 630	G 1/2 A		27	24	30	43	24.5	55	36.5	14	31.8	1 1 63 76 20 00	1 1 63 75 20 XX
S 20	PN 420	G 3/4 A		32	27	36	48	26.5	65	44.5	16	35.9	1 1 63 81 20 00	1 1 63 80 20 XX
S 25	PN 420	G 1 A		41	36	46	54	30	73	50	18	63.8	1 1 63 86 20 00	1 1 63 85 20 XX
S 30	PN 420	G 1 1/4 A		50	41	50	62	35.5	78.5	55	20	134.3	1 1 63 91 20 00	1 1 63 90 20 XX
S 38	PN 420	G 1 1/2 A		55	50	60	72	41	89	63	22	139.9	1 1 63 96 20 00	1 1 63 95 20 XX

Special pressure stages apply in
combination with the 2S cutting
ring (refer to Page 48)

Supplementary to Order No. for complete fitting tube connection		Supplementary to Order No.
2S		07
ES-4		09
BV-10		Refer to the front page

* Apply to complete fittings with
2S or ES-4 tube connection
components.
For BV-10 Refer to the front page.

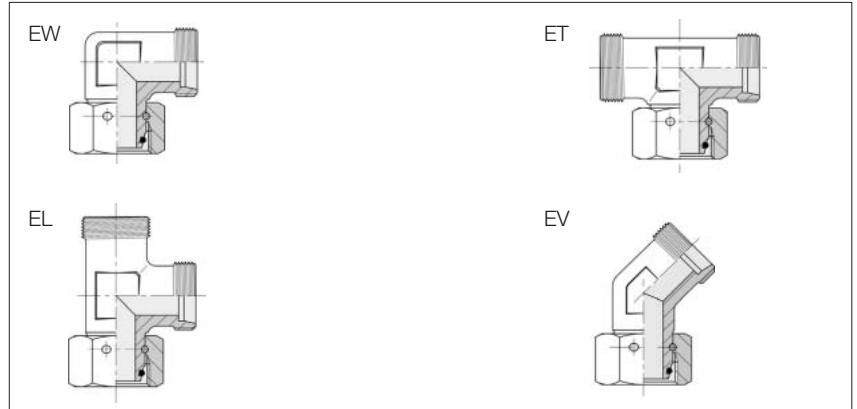
** With union nut and 2S, ES-4
or BV-10 tube connection
components

*** Sample product code, see:
EL06LREDOMD

Adjustable stud couplings

With taper and O-ring

Component parts



Series	Pressure	kg/100	Order No.	kg/100	Order No.	kg/100	Order No.	Pressure	kg/100	Order No.
Tube OD		approx.	EW	approx.	ET	approx.	EL		approx.	EV
d1										
L 6	PN 500	4.1	1 1 58 03 20 58*	4.9	1 1 60 03 20 58*	4.8	1 1 62 03 20 58*	PN 315	6.9	1 1 70 03 20 58*
L 8	PN 500	6.2	1 1 58 08 20 58	6.9	1 1 60 08 20 58	7.0	1 1 62 08 20 58	PN 315	7.0	1 1 70 08 20 58
L 10	PN 500	5.3	1 1 58 13 20 58	9.2	1 1 60 13 20 58	9.6	1 1 62 13 20 58	PN 315	7.8	1 1 70 13 20 58
L 12	PN 400	10.1	1 1 58 18 20 58	12.0	1 1 60 18 20 58	12.0	1 1 62 18 20 58	PN 315	8.6	1 1 70 18 20 58
L 15	PN 400	12.9	1 1 58 23 20 58	15.4	1 1 60 23 20 58	15.4	1 1 62 23 20 58	PN 315	12.6	1 1 70 23 20 58
L 18	PN 400	18.6	1 1 58 28 20 58	21.5	1 1 60 28 20 58	21.3	1 1 62 28 20 58	PN 315	17.8	1 1 70 28 20 58
L 22	PN 250	25.3	1 1 58 33 20 58	27.7	1 1 60 33 20 58	28.1	1 1 62 33 20 58	PN 160	23.6	1 1 70 33 20 58
L 28	PN 250	34.2	1 1 58 38 20 58	39.7	1 1 60 38 20 58	39.2	1 1 62 38 20 58	PN 160	33.6	1 1 70 38 20 58
L 35	PN 250	57.4	1 1 58 43 20 58	68.0	1 1 60 43 20 58	67.7	1 1 62 43 20 58	PN 160	54.6	1 1 70 43 20 58
L 42	PN 250	103.0	1 1 58 48 20 58	113.8	1 1 60 48 20 58	112.4	1 1 62 48 20 58	PN 160	83.6	1 1 70 48 20 58
S 6	PN 800	6.2	1 1 58 53 20 58	7.7	1 1 60 53 20 58	7.8	1 1 62 53 20 58	PN 630	7.3	1 1 70 53 20 58
S 8	PN 800	8.5	1 1 58 58 20 58	10.5	1 1 60 58 20 58	10.2	1 1 62 58 20 58	PN 630	8.2	1 1 70 58 20 58
S 10	PN 800	12.2	1 1 58 63 20 58	14.0	1 1 60 63 20 58	14.0	1 1 62 63 20 58	PN 630	9.5	1 1 70 63 20 58
S 12	PN 630	10.8	1 1 58 68 20 58	13.5	1 1 60 68 20 58	13.3	1 1 62 68 20 58	PN 630	11.2	1 1 70 68 20 58
S 14	PN 630	14.9	1 1 58 73 20 58	18.1	1 1 60 73 20 58	18.0	1 1 62 73 20 58	PN 630	13.6	1 1 70 73 20 58
S 16	PN 630	20.1	1 1 58 78 20 58	24.6	1 1 60 78 20 58	22.6	1 1 62 78 20 58	PN 400	18.8	1 1 70 78 20 58
S 20	PN 420	30.5	1 1 58 83 20 58	35.6	1 1 60 83 20 58	35.3	1 1 62 83 20 58	PN 400	28.6	1 1 70 83 20 58
S 25	PN 420	55.4	1 1 58 88 20 58	63.7	1 1 60 88 20 58	62.8	1 1 62 88 20 58	PN 400	52.3	1 1 70 88 20 58
S 30	PN 420	77.9	1 1 58 93 20 58	91.6	1 1 60 93 20 58	91.7	1 1 62 93 20 58	PN 400	69.7	1 1 70 93 20 58
S 38	PN 420	118.6	1 1 58 98 20 58	147.8	1 1 60 98 20 58	149.3	1 1 62 98 20 58	PN 315	106.8	1 1 70 98 20 58

Special pressure stages apply in combination with the 2S cutting ring (refer to Page 48)

* Sample product code, see:
EW06LVITOMD
ISO 8434-1-SWOE-L6-St

ET06LVITOMD
ISO 8434-1-SWOBT-L6-St

EL06LVITOMD
ISO 8434-1-SWORT-L6-St

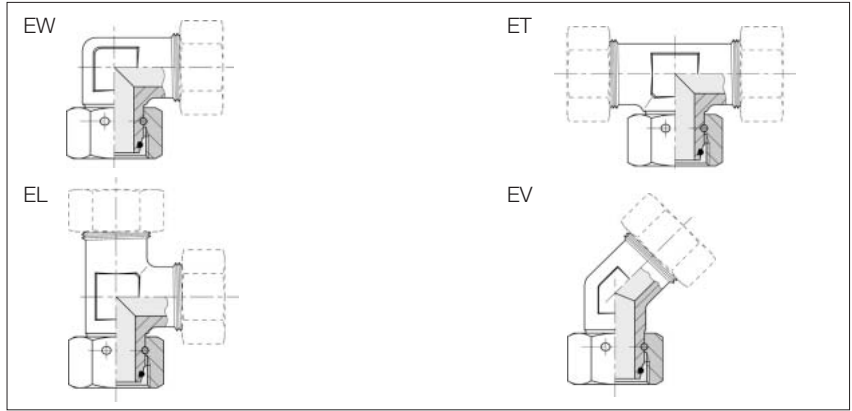
EV06LVITOMD
ISO 8434-1-SWOE45-L6-St

Adjustable stud couplings

With taper and O-ring

Cutting ring connection at tube end

Component parts



Series Tube OD d1	Pressure	kg/100 approx.	Order No. EW*	kg/100 approx.	Order No. ET*	kg/100 approx.	Order No. EL*	Pressure	kg/100 approx.	Order No. EV*
L 6	PN 500	**	1 1 58 02 20 XX	**	1 1 60 02 20 XX	**	1 1 62 02 20 XX	PN 315	**	1 1 70 02 20 XX
L 8	PN 500	**	1 1 58 07 20 XX	**	1 1 60 07 20 XX	**	1 1 62 07 20 XX	PN 315	**	1 1 70 07 20 XX
L 10	PN 500	**	1 1 58 12 20 XX	**	1 1 60 12 20 XX	**	1 1 62 12 20 XX	PN 315	**	1 1 70 12 20 XX
L 12	PN 400	**	1 1 58 17 20 XX	**	1 1 60 17 20 XX	**	1 1 62 17 20 XX	PN 315	**	1 1 70 17 20 XX
L 15	PN 400	**	1 1 58 22 20 XX	**	1 1 60 22 20 XX	**	1 1 62 22 20 XX	PN 315	**	1 1 70 22 20 XX
L 18	PN 400	**	1 1 58 27 20 XX	**	1 1 60 27 20 XX	**	1 1 62 27 20 XX	PN 315	**	1 1 70 27 20 XX
L 22	PN 250	**	1 1 58 32 20 XX	**	1 1 60 32 20 XX	**	1 1 62 32 20 XX	PN 160	**	1 1 70 32 20 XX
L 28	PN 250	**	1 1 58 37 20 XX	**	1 1 60 37 20 XX	**	1 1 62 37 20 XX	PN 160	**	1 1 70 37 20 XX
L 35	PN 250	**	1 1 58 42 20 XX	**	1 1 60 42 20 XX	**	1 1 62 42 20 XX	PN 160	**	1 1 70 42 20 XX
L 42	PN 250	**	1 1 58 47 20 XX	**	1 1 60 47 20 XX	**	1 1 62 47 20 XX	PN 160	**	1 1 70 47 20 XX
S 6	PN 800	**	1 1 58 52 20 XX	**	1 1 60 52 20 XX	**	1 1 62 52 20 XX	PN 630	**	1 1 70 52 20 XX
S 8	PN 800	**	1 1 58 57 20 XX	**	1 1 60 57 20 XX	**	1 1 62 57 20 XX	PN 630	**	1 1 70 57 20 XX
S 10	PN 800	**	1 1 58 62 20 XX	**	1 1 60 62 20 XX	**	1 1 62 62 20 XX	PN 630	**	1 1 70 62 20 XX
S 12	PN 630	**	1 1 58 67 20 XX	**	1 1 60 67 20 XX	**	1 1 62 67 20 XX	PN 630	**	1 1 70 67 20 XX
S 14	PN 630	**	1 1 58 72 20 XX	**	1 1 60 72 20 XX	**	1 1 62 72 20 XX	PN 630	**	1 1 70 72 20 XX
S 16	PN 630	**	1 1 58 77 20 XX	**	1 1 60 77 20 XX	**	1 1 62 77 20 XX	PN 400	**	1 1 70 77 20 XX
S 20	PN 420	**	1 1 58 82 20 XX	**	1 1 60 82 20 XX	**	1 1 62 82 20 XX	PN 400	**	1 1 70 82 20 XX
S 25	PN 420	**	1 1 58 87 20 XX	**	1 1 60 87 20 XX	**	1 1 62 87 20 XX	PN 400	**	1 1 70 87 20 XX
S 30	PN 420	**	1 1 58 92 20 XX	**	1 1 60 92 20 XX	**	1 1 62 92 20 XX	PN 400	**	1 1 70 92 20 XX
S 38	PN 420	**	1 1 58 97 20 XX	**	1 1 60 97 20 XX	**	1 1 62 97 20 XX	PN 315	**	1 1 70 97 20 XX

Special pressure stages apply in combination with the 2S cutting ring (refer to Page 48)

Supplementary to Order No. for complete fitting tube connection	Supplementary to Order No.
2S	57
ES-4	38
BV-10	Refer to the front page

* With union nut and 2S, ES-4 or BV-10 tube connection components

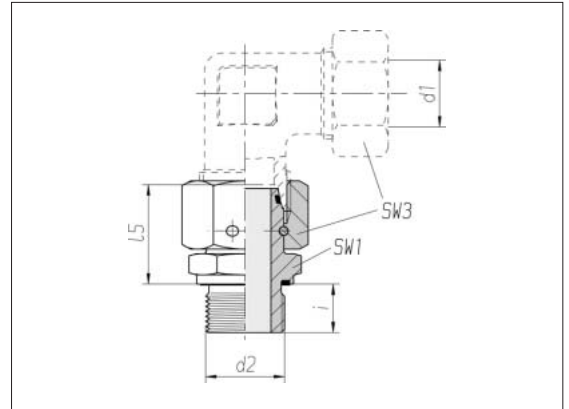
** On request

Straight stud standpipe adapters

With taper and O-ring
fit in bore type
W DIN 3861 / ISO 8434-1

Thread:
metric fine thread,
straight

Sealed with PEFLEX seal



Series Tube OD d1	Pressure	d2	SW1	SW3	l5	i	Nm -10 %	kg/100 approx.	Order No.
L 6	PN 500	M 10 x 1	14	14	24.5	8	15	2.6	1 1 64 03 20 00*
L 8	PN 500	M 12 x 1.5	17	17	26.5	12	25	4.4	1 1 64 08 20 00
L 10	PN 500	M 14 x 1.5	19	19	27.5	12	50	5.7	1 1 64 13 20 00
L 12	PN 400	M 16 x 1.5	22	22	30.5	12	70	8.3	1 1 64 18 20 00
L 15	PN 400	M 18 x 1.5	24	27	31.5	12	90	11.9	1 1 64 23 20 00
L 15	PN 400	M 22 x 1.5	27	27	32.5	14	130	13.2	1 1 98 70 20 00
L 18	PN 400	M 22 x 1.5	27	32	31.5	14	130	15.3	1 1 64 28 20 00
L 22	PN 250	M 26 x 1.5	32	36	32.5	16	180	20.2	1 1 64 33 20 00
L 28	PN 250	M 33 x 2	41	41	35	18	230	28.6	1 1 64 38 20 00
L 35	PN 250	M 42 x 2	50	50	42.5	20	330	50.0	1 1 64 43 20 00
L 42	PN 250	M 48 x 2	55	60	46.5	22	500	71.6	1 1 64 48 20 00
S 6	PN 800	M 12 x 1.5	17	17	27	12	50	4.7	1 1 64 53 20 00
S 8	PN 800	M 14 x 1.5	19	19	29.5	12	60	6.4	1 1 64 58 20 00
S 10	PN 800	M 16 x 1.5	22	22	32	12	80	9.0	1 1 64 63 20 00
S 12	PN 630	M 18 x 1.5	24	24	34	12	90	11.1	1 1 64 68 20 00
S 14	PN 630	M 20 x 1.5	27	27	36.5	14	130	15.7	1 1 64 73 20 00
S 16	PN 630	M 22 x 1.5	27	30	37	14	130	17.6	1 1 64 78 20 00
S 20	PN 420	M 27 x 2	32	36	43	16	200	27.6	1 1 64 83 20 00
S 25	PN 420	M 33 x 2	41	46	48	18	250	50.5	1 1 64 88 20 00
S 30	PN 420	M 42 x 2	50	50	51	20	500	69.7	1 1 64 93 20 00
S 38	PN 420	M 48 x 2	55	60	60	22	600	76.4	1 1 64 98 20 00

Special pressure stages apply in
combination with the 2S cutting
ring (refer to Page 48)

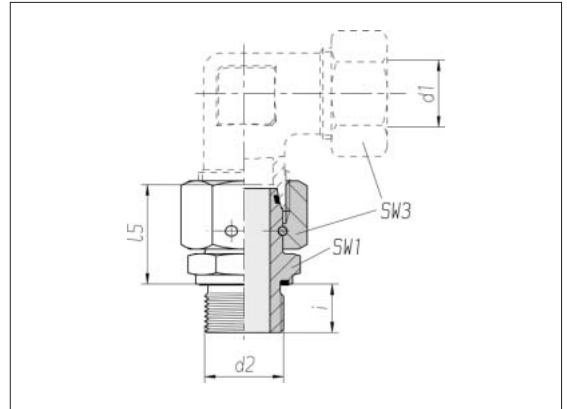
* Sample product code, see:
EGE06LMED
ISO 8434-1-SWOSDS-L6xM10x1, typeE-St

Straight stud standpipe adapters

With taper and O-ring
fit in bore type
W DIN 3861 / ISO 8434-1

Thread:
Whitworth pipe thread,
straight

Sealed with PEFLEX seal



Series Tube OD d1	Pressure	d2		SW1	SW3	l5	i	Nm -10 %	kg/100 approx.	Order No.
L 6	PN 500	G 1/8 A		14	14	24.5	8	20	2.6	1 1 65 03 20 00*
L 8	PN 500	G 1/4 A		19	17	29.5	12	50	5.7	1 1 65 08 20 00
L 10	PN 500	G 1/4 A		19	19	27.5	12	50	5.6	1 1 65 13 20 00
L 10	PN 400	G 1/2 A		27	19	28.5	14	100	9.8	1 1 98 30 20 00
L 12	PN 400	G 3/8 A		22	22	34	12	80	9.6	1 1 65 18 20 00
L 12	PN 400	G 1/2 A		27	22	32	14	100	11.8	1 1 98 40 20 00
L 15	PN 400	G 3/8 A		22	27	32.5	12	80	11.6	1 1 98 56 20 00
L 15	PN 400	G 1/2 A		27	27	32	14	100	14.1	1 1 65 23 20 00
L 18	PN 400	G 1/2 A		27	32	31.5	14	100	14.4	1 1 65 28 20 00
L 18	PN 250	G 3/4 A		32	32	31	16	180	17.2	1 1 98 65 20 00
L 22	PN 250	G 1/2 A		27	36	32	14	100	17.1	1 1 98 66 20 00
L 22	PN 250	G 3/4 A		32	36	32.5	16	180	20.1	1 1 65 33 20 00
L 28	PN 250	G 1 A		41	41	35	18	230	29.3	1 1 65 38 20 00
L 35	PN 250	G 1 1/4 A		50	50	42.5	20	330	50.9	1 1 65 43 20 00
L 42	PN 250	G 1 1/2 A		55	60	46.5	22	500	72.2	1 1 65 48 20 00

Special pressure stages apply in
combination with the 2S cutting
ring (refer to Page 48)

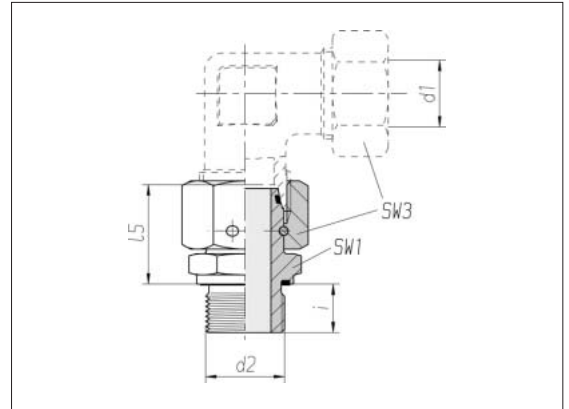
* Sample product code, see:
EGE06LRED
ISO 8434-1-SWOSDS-L6xG1/8A, typeE-St

Straight stud standpipe adapters

With taper and O-ring
fit in bore type
W DIN 3861 / ISO 8434-1

Thread:
Whitworth pipe thread,
straight

Sealed with PEFLEX seal

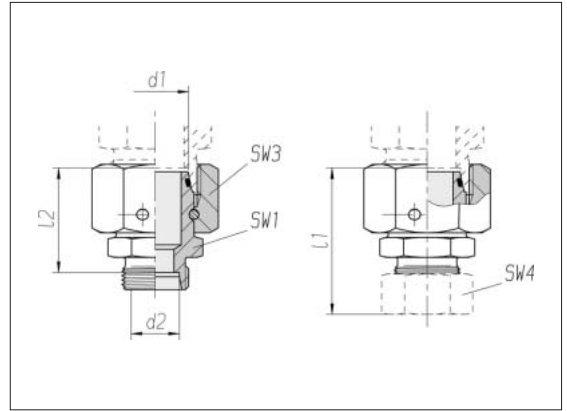


Series Tube OD d1	Pressure	d2		SW1	SW3	l5	i	Nm -10 %	kg/100 approx.	Order No.
S 6	PN 800	G 1/4 A		19	17	27	12	60	5.4	1 1 65 53 20 00
S 8	PN 800	G 1/4 A		19	19	29.5	12	60	6.4	1 1 65 58 20 00
S 10	PN 800	G 3/8 A		22	22	32	12	90	9.4	1 1 65 63 20 00
S 12	PN 630	G 1/4 A		19	24	30	12	60	7.9	1 1 98 58 20 00
S 12	PN 630	G 3/8 A		22	24	34	12	90	10.0	1 1 65 68 20 00
S 12	PN 630	G 1/2 A		27	24	35.5	14	150	14.4	1 1 98 57 20 00
S 14	PN 630	G 1/2 A		27	27	36.5	14	150	16.4	1 1 65 73 20 00
S 16	PN 630	G 1/2 A		27	30	37	14	150	17.1	1 1 65 78 20 00
S 20	PN 420	G 1/2 A		27	36	43	14	150	21.2	1 1 98 31 20 00
S 20	PN 420	G 3/4 A		32	36	43	16	200	27.2	1 1 65 83 20 00
S 25	PN 420	G 1 A		41	46	48	18	250	50.6	1 1 65 88 20 00
S 30	PN 420	G 1 1/4 A		50	50	51	20	500	68.5	1 1 65 93 20 00
S 38	PN 420	G 1 1/2 A		55	60	60	22	600	95.5	1 1 65 98 20 00

Special pressure stages apply in
combination with the 2S cutting
ring (refer to Page 48)

Reducing couplings

With taper and O-ring fit in bore type
W DIN 3861 / ISO 8434-1



Series Tube OD d1	Pressure	Series Tube OD d2	SW1	SW3	SW4	l1* approx.	l2	kg/100 approx.	Order No. Single component	Order No. **
L 8	PN 500	L 6	12	17	14	38	23.5	2.9	1 1 81 00 20 58***	1 1 81 00 20 XX
L 10	PN 500	L 6	14	19	14	39.5	25	3.8	1 1 81 01 20 58	1 1 81 01 20 XX
L 10	PN 500	L 8	14	19	17	39.5	25	3.8	1 1 81 02 20 58	1 1 81 02 20 XX
L 12	PN 400	L 6	17	22	14	39.5	25	5.0	1 1 81 03 20 58	1 1 81 03 20 XX
L 12	PN 400	S 6	17	22	17	43	28	5.6	1 1 81 95 20 58	1 1 81 95 20 XX
L 12	PN 400	L 8	17	22	17	39.5	25	5.1	1 1 81 04 20 58	1 1 81 04 20 XX
L 12	PN 400	L 10	17	22	19	40.5	26	5.2	1 1 81 05 20 58	1 1 81 05 20 XX
L 15	PN 400	L 6	19	27	14	42.5	28	8.7	1 1 81 06 20 58	1 1 81 06 20 XX
L 15	PN 400	L 8	19	27	17	42.5	28	8.8	1 1 81 07 20 58	1 1 81 07 20 XX
L 15	PN 400	L 10	19	27	19	43.5	29	8.9	1 1 81 08 20 58	1 1 81 08 20 XX
L 15	PN 400	L 12	19	27	22	43.5	29	9.0	1 1 81 09 20 58	1 1 81 09 20 XX
L 18	PN 400	L 6	24	32	14	42.5	28	11.1	1 1 81 10 20 58	1 1 81 10 20 XX
L 18	PN 400	L 8	24	32	17	42.5	28	11.1	1 1 81 11 20 58	1 1 81 11 20 XX
L 18	PN 400	S 8	24	32	19	45	30	11.6	1 1 81 97 20 58	1 1 81 97 20 XX
L 18	PN 400	L 10	24	32	19	43.5	29	11.2	1 1 81 12 20 58	1 1 81 12 20 XX
L 18	PN 400	L 12	24	32	22	43.5	29	11.3	1 1 81 13 20 58	1 1 81 13 20 XX
L 18	PN 400	L 15	24	32	27	45	30	11.8	1 1 81 14 20 58	1 1 81 14 20 XX
L 22	PN 250	L 6	27	36	14	46.5	32	15.4	1 1 81 15 20 58	1 1 81 15 20 XX
L 22	PN 250	L 10	27	36	19	47.5	33	15.7	1 1 81 17 20 58	1 1 81 17 20 XX
L 22	PN 250	L 12	27	36	22	47.5	33	16.1	1 1 81 18 20 58	1 1 81 18 20 XX
L 22	PN 250	L 15	27	36	27	49	34	16.2	1 1 81 19 20 58	1 1 81 19 20 XX
L 22	PN 250	L 18	27	36	32	49.5	33.5	16.6	1 1 81 20 20 58	1 1 81 20 20 XX

Continuation on page 157

Special pressure stages apply in combination with the 2S cutting ring (refer to Page 48)

Supplementary to Order No. for complete fitting tube connection	Supplementary to Order No.
2S	57
ES-4	38
BV-10	Refer to the front page

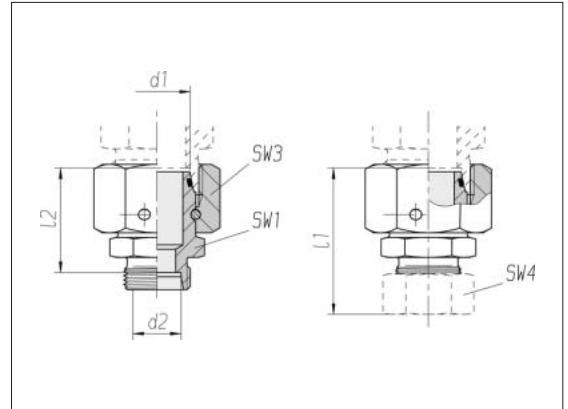
* Apply to complete fittings with 2S or ES-4 tube connection components.
For BV-10 Refer to the front page.

** On the tube side with union nut and 2S, ES-4 or BV-10 connection components

*** Sample product code, see: RED08/06LOMDVIT

Reducing couplings

With taper and O-ring
fit in bore type
W DIN 3861 / ISO 8434-1



3

Series Tube OD d1	Pressure	Series Tube OD d2	SW1	SW3	SW4	l1* approx.	l2	kg/100 approx.	Order No. Single component	Order No. **
L 28	PN 250	L 8	32	41	17	48.5	34	20.1	1 1 81 22 20 58	1 1 81 22 20 XX
L 28	PN 250	L 10	32	41	19	49.5	35	20.1	1 1 81 23 20 58	1 1 81 23 20 XX
L 28	PN 250	L 12	32	41	22	49.5	35	20.1	1 1 81 24 20 58	1 1 81 24 20 XX
L 28	PN 250	L 15	32	41	27	51	36	20.6	1 1 81 25 20 58	1 1 81 25 20 XX
L 28	PN 250	S 16	32	41	30	55	36.5	21.5	1 1 81 92 20 58	1 1 81 92 20 XX
L 28	PN 250	L 18	32	41	32	51.5	35.5	21.0	1 1 81 26 20 58	1 1 81 26 20 XX
L 28	PN 250	S 20	32	41	36	58	36.5	23.2	1 1 81 91 20 58	1 1 81 91 20 XX
L 28	PN 250	L 22	32	41	36	53.5	37.5	21.0	1 1 81 27 20 58	1 1 81 27 20 XX
L 35	PN 250	L 8	41	50	17	52	37	30.6	1 1 81 29 20 58	1 1 81 29 20 XX
L 35	PN 250	L 10	41	50	19	52.5	38	32.3	1 1 81 30 20 58	1 1 81 30 20 XX
L 35	PN 250	L 12	41	50	22	52.5	38	31.3	1 1 81 31 20 58	1 1 81 31 20 XX
L 35	PN 250	L 15	41	50	27	54	39	31.6	1 1 81 32 20 58	1 1 81 32 20 XX
L 35	PN 250	L 18	41	50	32	54.5	38.5	31.9	1 1 81 33 20 58	1 1 81 33 20 XX
L 35	PN 250	L 22	41	50	36	56.5	40.5	32.1	1 1 81 34 20 58	1 1 81 34 20 XX
L 35	PN 250	L 28	41	50	41	57	40.5	32.3	1 1 81 35 20 58	1 1 81 35 20 XX
L 42	PN 250	L 8	50	60	17	55.5	40.5	51.9	1 1 81 36 20 58	1 1 81 36 20 XX
L 42	PN 250	L 18	50	60	32	58	42	52.7	1 1 81 41 20 58	1 1 81 41 20 XX
L 42	PN 250	L 22	50	60	36	60	44	51.5	1 1 81 42 20 58	1 1 81 42 20 XX
L 42	PN 250	L 28	50	60	41	60.5	44	51.5	1 1 81 43 20 58	1 1 81 43 20 XX
L 42	PN 250	L 35	50	60	50	64.5	43	53.1	1 1 81 44 20 58	1 1 81 44 20 XX

Special pressure stages apply in combination with the 2S cutting ring (refer to Page 48)

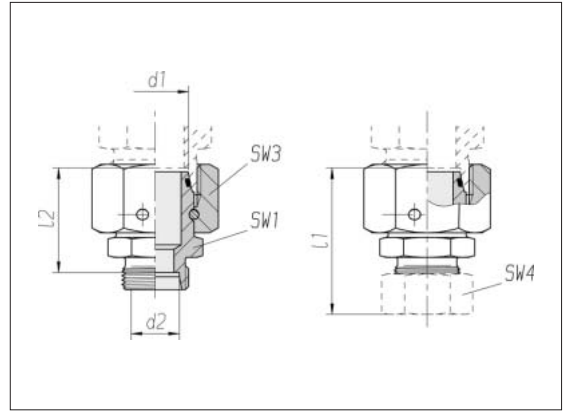
Supplementary to Order No. for complete fitting tube connection	Supplementary to Order No.
2S	57
ES-4	38
BV-10	Refer to the front page

* Apply to complete fittings with 2S or ES-4 tube connection components.
For BV-10 Refer to the front page.

** On the tube side with union nut and 2S, ES-4 or BV-10 connection components

Reducing couplings

With taper and O-ring fit in bore type
W DIN 3861 / ISO 8434-1



Series Tube OD d1	Pressure	Series Tube OD d2	SW1	SW3	SW4	l1* approx.	l2	kg/100 approx.	Order No. Single component	Order No. **
S 8	PN 800	S 6	14	19	17	41.5	27	4.3	1 1 81 45 20 58***	1 1 81 45 20 XX
S 10	PN 800	S 6	17	22	17	42	27.5	5.5	1 1 81 46 20 58	1 1 81 46 20 XX
S 10	PN 800	S 8	17	22	19	42	27.5	5.7	1 1 81 47 20 58	1 1 81 47 20 XX
S 12	PN 630	S 6	19	24	17	44.5	30	7.0	1 1 81 48 20 58	1 1 81 48 20 XX
S 12	PN 630	S 8	19	24	19	44.5	30	7.1	1 1 81 49 20 58	1 1 81 49 20 XX
S 12	PN 630	S 10	19	24	22	45.5	29.5	7.3	1 1 81 50 20 58	1 1 81 50 20 XX
S 14	PN 630	S 8	19	27	19	46.5	31.5	9.5	1 1 81 52 20 58	1 1 81 52 20 XX
S 14	PN 630	S 12	22	27	24	47	31	10.4	1 1 81 54 20 58	1 1 81 54 20 XX
S 16	PN 630	S 6	22	30	17	46.5	32	11.4	1 1 81 55 20 58	1 1 81 55 20 XX
S 16	PN 630	S 8	22	30	19	46.5	32	11.6	1 1 81 56 20 58	1 1 81 56 20 XX
S 16	PN 630	S 10	22	30	22	47.5	31.5	11.7	1 1 81 57 20 58	1 1 81 57 20 XX
S 16	PN 630	S 12	22	30	24	47.5	31.5	12.0	1 1 81 58 20 58	1 1 81 58 20 XX
S 16	PN 400	L 12	22	30	22	46.5	32	11.6	1 1 81 93 20 58	1 1 81 93 20 XX
S 16	PN 630	S 14	24	30	27	49.5	31.5	12.8	1 1 81 59 20 58	1 1 81 59 20 XX
S 20	PN 420	S 6	27	36	17	50.5	36	17.0	1 1 81 60 20 58	1 1 81 60 20 XX
S 20	PN 420	S 8	27	36	19	50.5	36	17.2	1 1 81 61 20 58	1 1 81 61 20 XX
S 20	PN 420	S 10	27	36	22	51.5	35.5	17.0	1 1 81 62 20 58	1 1 81 62 20 XX
S 20	PN 420	S 12	27	36	24	51.5	35.5	17.3	1 1 81 63 20 58	1 1 81 63 20 XX
S 20	PN 420	S 16	27	36	30	54.5	36.5	17.9	1 1 81 65 20 58	1 1 81 65 20 XX

Continuation on page 159

Special pressure stages apply in combination with the 2S cutting ring (refer to Page 48)

Supplementary to Order No. for complete fitting tube connection	Supplementary to Order No.
2S	57
ES-4	38
BV-10	Refer to the front page

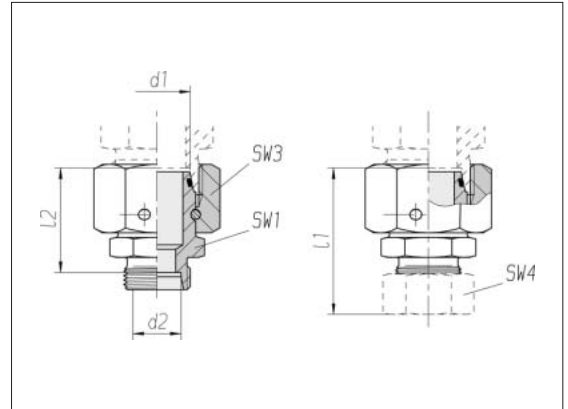
* Apply to complete fittings with 2S or ES-4 tube connection components.
For BV-10 Refer to the front page.

** On the tube side with union nut and 2S, ES-4 or BV-10 connection components

*** Sample product code, see: RED08/06SOMDVIT

Reducing couplings

With taper and O-ring
fit in bore type
W DIN 3861 / ISO 8434-1



Series Tube OD d1	Pressure	Series Tube OD d2	SW1	SW3	SW4	l1* approx.	l2	kg/100 approx.	Order No. Single component	Order No. **
S 25	PN 420	S 6	32	46	17	50.5	36	30.9	1 1 81 66 20 58	1 1 81 66 20 XX
S 25	PN 420	S 8	32	46	19	50.5	36	30.9	1 1 81 67 20 58***	1 1 81 67 20 XX
S 25	PN 420	S 10	32	46	22	54	38	31.2	1 1 81 68 20 58	1 1 81 68 20 XX
S 25	PN 420	S 12	32	46	24	54	38	31.3	1 1 81 69 20 58	1 1 81 69 20 XX
S 25	PN 420	S 16	32	46	30	57	39	31.7	1 1 81 71 20 58	1 1 81 71 20 XX
S 25	PN 420	S 20	32	46	36	60.5	39	32.8	1 1 81 72 20 58	1 1 81 72 20 XX
S 30	PN 420	S 6	41	50	17	59	44	40.4	1 1 81 73 20 58	1 1 81 73 20 XX
S 30	PN 420	S 8	41	50	19	59	44	39.9	1 1 81 74 20 58	1 1 81 74 20 XX
S 30	PN 420	S 10	41	50	22	59.5	43.5	40.4	1 1 81 75 20 58	1 1 81 75 20 XX
S 30	PN 420	S 12	41	50	24	59.5	43.5	40.5	1 1 81 76 20 58	1 1 81 76 20 XX
S 30	PN 420	S 16	41	50	30	62.5	44.5	40.6	1 1 81 78 20 58	1 1 81 78 20 XX
S 30	PN 420	S 20	41	50	36	66	44.5	42.2	1 1 81 79 20 58	1 1 81 79 20 XX
S 30	PN 420	S 25	41	50	46	69	45	44.8	1 1 81 80 20 58	1 1 81 80 20 XX
S 38	PN 420	S 6	50	60	17	62.5	47.5	57.6	1 1 81 82 20 58	1 1 81 82 20 XX
S 38	PN 420	S 8	50	60	19	62.5	47.5	57.8	1 1 81 83 20 58	1 1 81 83 20 XX
S 38	PN 420	S 10	50	60	22	63	47	58.4	1 1 81 84 20 58	1 1 81 84 20 XX
S 38	PN 420	S 12	50	60	24	63	47	59.2	1 1 81 85 20 58	1 1 81 85 20 XX
S 38	PN 420	S 16	50	60	30	66	48	59.2	1 1 81 86 20 58	1 1 81 86 20 XX
S 38	PN 420	S 20	50	60	36	69.5	48	59.7	1 1 81 87 20 58	1 1 81 87 20 XX
S 38	PN 420	S 25	50	60	46	72.5	48.5	62.3	1 1 81 88 20 58	1 1 81 88 20 XX
S 38	PN 420	S 30	50	60	50	75.5	49	63.6	1 1 81 89 20 58	1 1 81 89 20 XX

Special pressure stages apply in combination with the 2S cutting ring (refer to Page 48)

Supplementary to Order No. for complete fitting tube connection	Supplementary to Order No.
2S	57
ES-4	38
BV-10	Refer to the front page

* Apply to complete fittings with 2S or ES-4 tube connection components.
For BV-10 Refer to the front page.

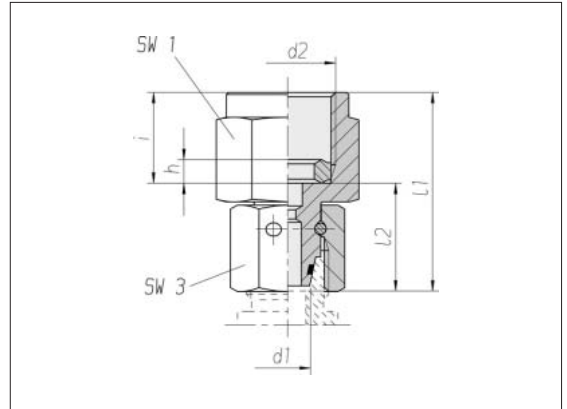
** On the tube side with union nut and 2S, ES-4 or BV-10 connection components

*** Sample product code, see: RED25/08SOMDVIT

Gauge couplings

Female thread:
Whitworth pipe thread

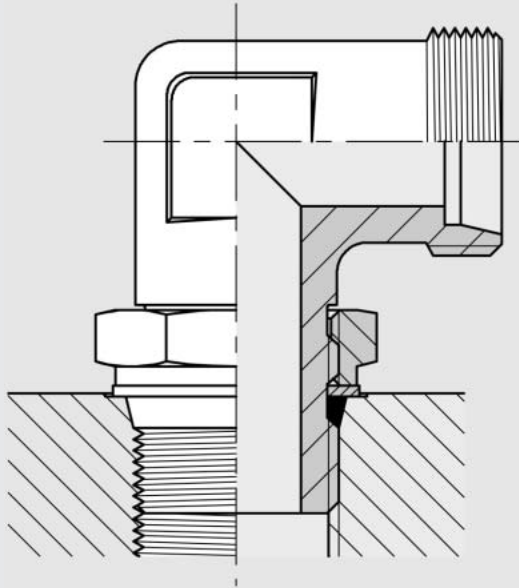
Male connector
with taper and O-ring
fit in bore type
W DIN 3861 / ISO 8434-1



Series	Pressure	d2		SW1	SW3	l1	l2	i	h	kg/100	Order No.
Tube OD						approx.			approx.		
d1											
L 6	PN 315	G 1/4		19	14	37.5	23	14.5	4.6	4.8	1 1 42 00 20 58*
L 8	PN 315	G 1/4		19	17	37.5	23	14.5	4.6	5.5	1 1 42 05 20 58
L 10	PN 315	G 1/4		19	19	36	21.5	14.5	4.6	5.8	1 1 42 10 20 58
L 12	PN 315	G 1/4		19	22	36	21.5	14.5	4.6	6.9	1 1 42 15 20 58
S 6	PN 630	G 1/2		27	17	44.5	24.5	20	5.2	10.3	1 1 42 50 20 58
S 8	PN 630	G 1/4		19	19	35.5	21	14.5	4.6	5.7	1 1 42 57 20 58
S 8	PN 630	G 1/2		27	19	44.5	24.5	20	5.2	11.7	1 1 42 55 20 58
S 10	PN 630	G 1/2		27	22	43.5	23.5	20	5.2	11.3	1 1 42 60 20 58
S 12	PN 630	G 1/4		19	24	39	24.5	14.5	4.6	8.2	1 1 42 66 20 58
S 12	PN 630	G 1/2		27	24	45	25	20	5.2	12.2	1 1 42 65 20 58

* Sample product code, see:
MAVE06LRVIT

Adjustable couplings
with lock nut

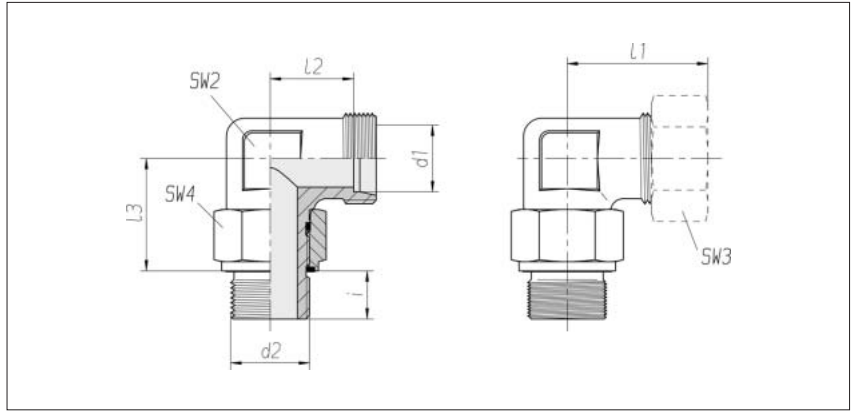


Experience plus ideas

Adjustable elbow couplings with lock nut

Thread:
metric fine thread,
straight

Sealed with PEFLEX seal



Series Tube OD d1	Pressure	d2	SW2	SW3	SW4	l1* approx.	l2	l3	i	kg/100 approx.	Order No. Single component	Order No. **
L 6	PN 315	M 10 x 1	14	14	14	29	14	21.5	8	4.4	1 1 13 00 20 81	1 1 13 00 20 XX
L 6	PN 315	M 12 x 1.5	14	14	17	29	14	24.5	12	5.8	1 1 13 01 20 81	1 1 13 01 20 XX
L 6	PN 315	M 14 x 1.5	17	14	19	31	16	27	12	8.1	1 1 13 02 20 81	1 1 13 02 20 XX
L 8	PN 315	M 12 x 1.5	14	17	17	31	16	24.5	12	6.1	1 1 13 05 20 81	1 1 13 05 20 XX
L 10	PN 315	M 14 x 1.5	17	19	19	32	17	27	12	7.4	1 1 13 10 20 81	1 1 13 10 20 XX
L 12	PN 315	M 16 x 1.5	17	22	22	36	17	28	12	9.6	1 1 13 15 20 81	1 1 13 15 20 XX
L 12	PN 315	M 18 x 1.5	22	22	24	36	21	30	12	14.6	1 1 13 16 20 81	1 1 13 16 20 XX
L 15	PN 315	M 18 x 1.5	22	27	24	36	21	30	12	13.7	1 1 13 20 20 81	1 1 13 20 20 XX
L 15	PN 315	M 22 x 1.5	22	27	27	37	22	32	14	16.4	1 1 13 21 20 81	1 1 13 21 20 XX
L 18	PN 315	M 22 x 1.5	27	32	27	42	25.5	35.5	14	24.6	1 1 13 25 20 81	1 1 13 25 20 XX
L 18	PN 315	M 18 x 1.5	24	32	24	40	23.5	34	12	16.1	1 1 13 26 20 81	1 1 13 26 20 XX
L 18	PN 160	M 26 x 1.5	27	32	32	42	25.5	37	16	27.0	1 1 13 27 20 81	1 1 13 27 20 XX
L 22	PN 160	M 27 x 2	27	36	32	44	27.5	40	16	27.9	1 1 13 30 20 81	1 1 13 30 20 XX
L 22	PN 160	M 26 x 1.5	27	36	32	44	27.5	37	16	24.2	1 1 13 31 20 81	1 1 13 31 20 XX
L 28	PN 160	M 33 x 2	41	41	41	49	32.5	50.5	18	65.9	1 1 13 35 20 81	1 1 13 35 20 XX
L 28	PN 160	M 26 x 1.5	36	41	32	47	30.5	43	16	36.3	1 1 13 36 20 81	1 1 13 36 20 XX
L 35	PN 160	M 42 x 2	50	50	50	59.5	36	55.5	20	103.9	1 1 13 40 20 81	1 1 13 40 20 XX
L 42	PN 160	M 48 x 2	50	60	55	63	40	57.5	22	106.4	1 1 13 45 20 81	1 1 13 45 20 XX

Supplementary to Order No. for complete fitting tube connection	Supplementary to Order No.
2S	07
ES-4	09
BV-10	Refer to the front page

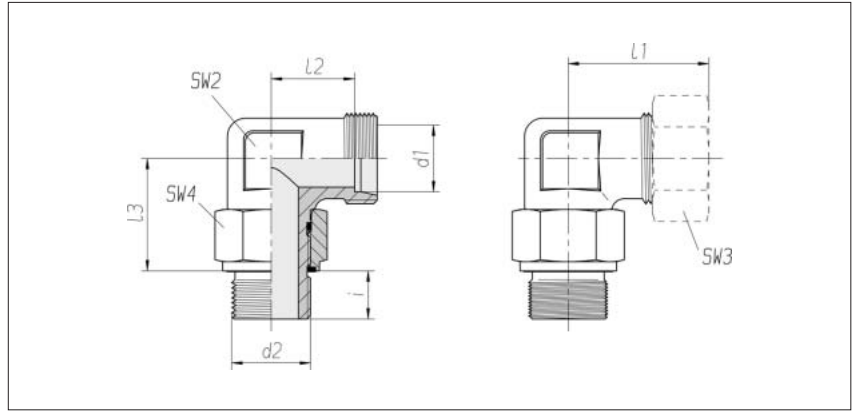
* Apply to complete fittings with
2S or ES-4 tube connection
components.
For BV-10 Refer to the front page.

** With union nut and 2S, ES-4
or BV-10 tube connection
components

Adjustable elbow couplings with lock nut

Thread:
metric fine thread,
straight

Sealed with PEFLEX seal



3

Series	Pressure	d2	SW2	SW3	SW4	l1*	l2	l3	i	kg/100 approx.	Order No. Single component	Order No. **
Tube OD						approx.						
d1												
S 6	PN 315	M 12 x 1.5	14	17	17	31.5	16.5	24.5	12	6.9	1 1 13 50 20 81	1 1 13 50 20 XX
S 8	PN 315	M 14 x 1.5	17	19	19	33	18	27	12	9.2	1 1 13 55 20 81	1 1 13 55 20 XX
S 10	PN 315	M 16 x 1.5	17	22	22	38	17.5	28	12	12.2	1 1 13 60 20 81	1 1 13 60 20 XX
S 10	PN 315	M 12 x 1.5	17	22	17	34	17.5	26.5	12	7.9	1 1 13 61 20 81	1 1 13 61 20 XX
S 12	PN 315	M 18 x 1.5	22	24	24	38	21.5	30	12	17.1	1 1 13 65 20 81	1 1 13 65 20 XX
S 16	PN 315	M 22 x 1.5	27	30	27	45	26.5	35.5	14	27.4	1 1 13 75 20 81	1 1 13 75 20 XX
S 20	PN 250	M 27 x 2	27	36	32	49	27.5	40	16	34.3	1 1 13 80 20 81	1 1 13 80 20 XX
S 25	PN 160	M 33 x 2	41	46	41	56	32	50.5	18	76.9	1 1 13 85 20 81	1 1 13 85 20 XX
S 30	PN 160	M 42 x 2	50	50	50	63	36.5	55.5	20	121.4	1 1 13 90 20 81	1 1 13 90 20 XX
S 38	PN 160	M 48 x 2	50	60	55	72	41	57.5	22	133.1	1 1 13 95 20 81	1 1 13 95 20 XX

Supplementary to Order No. for complete fitting tube connection	Supplementary to Order No.
2S	07
ES-4	09
BV-10	Refer to the front page

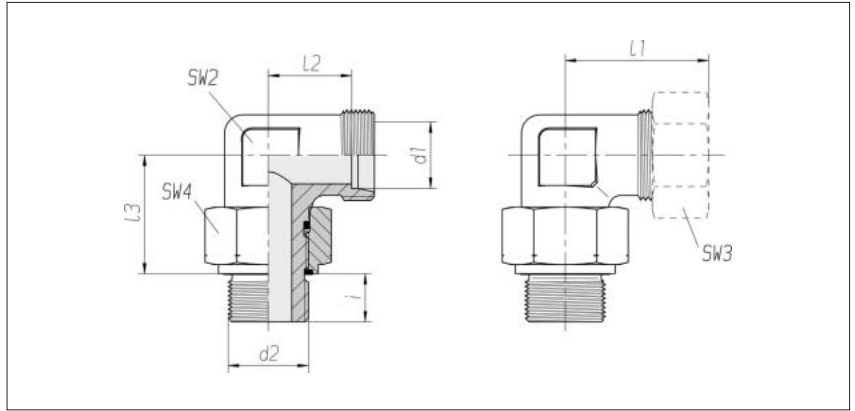
* Apply to complete fittings with 2S or ES-4 tube connection components.
For BV-10 Refer to the front page.

** With union nut and 2S, ES-4 or BV-10 tube connection components

Adjustable elbow couplings with lock nut

Thread:
Whitworth pipe thread,
straight

Sealed with PEFLEX seal



Series Tube OD d1	Pressure	d2		SW2	SW3	SW4	l1* approx.	l2	l3	i	kg/100 approx. Single component	Order No.	Order No. **
L 6	PN 315	G 1/8 A		14	14	14	29	14	21	8	4.1	1 1 44 00 20 81	1 1 44 00 20 XX
L 6	PN 315	G 1/4 A		17	14	19	31	16	26	12	7.8	1 1 44 01 20 81	1 1 44 01 20 XX
L 8	PN 315	G 1/4 A		17	17	19	31	16	26	12	7.9	1 1 44 05 20 81	1 1 44 05 20 XX
L 10	PN 315	G 1/4 A		17	19	19	32	17	26	12	7.9	1 1 44 10 20 81	1 1 44 10 20 XX
L 12	PN 315	G 3/8 A		19	22	22	34	19	29	12	11.2	1 1 44 15 20 81	1 1 44 15 20 XX
L 12	PN 315	G 1/4 A		17	22	19	32	17	26	12	7.6	1 1 44 16 20 81	1 1 44 16 20 XX
L 12	PN 250	G 1/2 A		22	22	27	36	21	30	14	15.4	1 1 44 17 20 81	1 1 44 17 20 XX
L 15	PN 250	G 1/2 A		22	27	27	36	21	30	14	15.3	1 1 44 20 20 81	1 1 44 20 20 XX
L 18	PN 250	G 1/2 A		27	32	27	42	25.5	37	14	25.9	1 1 44 25 20 81	1 1 44 25 20 XX
L 22	PN 160	G 1/2 A		27	36	27	44	27.5	37	14	24.5	1 1 44 31 20 81	1 1 44 31 20 XX
L 22	PN 160	G 3/4 A		27	36	36	44	27.5	39	16	33.6	1 1 44 30 20 81	1 1 44 30 20 XX
L 28	PN 160	G 1 A		41	41	41	49	32.5	50.5	18	70.5	1 1 44 35 20 81	1 1 44 35 20 XX
L 28	PN 160	G 3/4 A		36	41	36	47	30.5	44.5	16	43.7	1 1 44 36 20 81	1 1 44 36 20 XX
L 35	PN 160	G 1 1/4 A		50	50	50	59.5	36	56	20	111.5	1 1 44 40 20 81	1 1 44 40 20 XX
L 42	PN 160	G 1 1/2 A		50	60	55	63	40	57.5	22	115.4	1 1 44 45 20 81	1 1 44 45 20 XX

Supplementary to Order No. for complete fitting tube connection		Supplementary to Order No.
2S		07
ES-4		09
BV-10		Refer to the front page

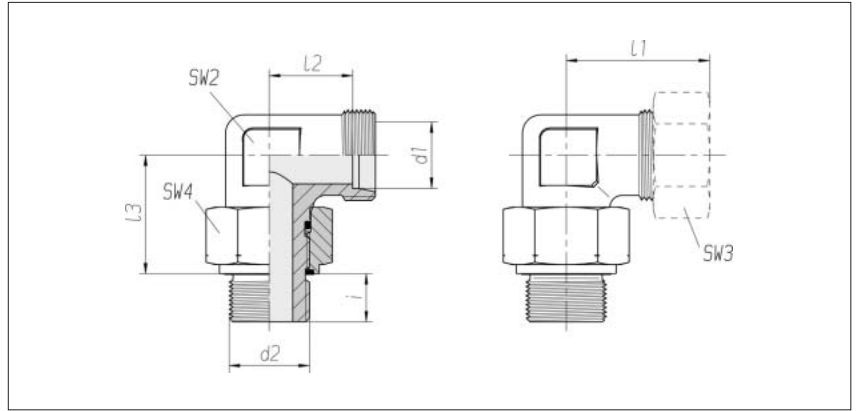
* Apply to complete fittings with
2S or ES-4 tube connection
components.
For BV-10 Refer to the front page.

** With union nut and 2S, ES-4
or BV-10 tube connection
components

Adjustable elbow couplings with lock nut

Thread:
Whitworth pipe thread,
straight

Sealed with PEFLEX seal



Series	Pressure	d2		SW2	SW3	SW4	l1*	l2	l3	i	kg/100 approx.	Order No. Single component	Order No. **
Tube OD							approx.						
d1													
S 6	PN 315	G 1/4 A		17	17	19	33	18	26	12	8.7	1 1 44 50 20 81	1 1 44 50 20 XX
S 8	PN 315	G 1/4 A		17	19	19	33	18	26	12	8.5	1 1 44 55 20 81	1 1 44 55 20 XX
S 10	PN 315	G 3/8 A		19	22	22	36	19.5	29	12	12.1	1 1 44 60 20 81	1 1 44 60 20 XX
S 12	PN 315	G 3/8 A		19	24	22	38	21.5	29	12	12.1	1 1 44 65 20 81	1 1 44 65 20 XX
S 14	PN 315	G 1/2 A		22	27	27	40	22	30	14	19.3	1 1 44 70 20 81	1 1 44 70 20 XX
S 16	PN 315	G 1/2 A		27	30	27	45	26.5	37	14	27.3	1 1 44 75 20 81	1 1 44 75 20 XX
S 16	PN 250	G 3/4 A		27	30	36	45	26.5	39	16	35.3	1 1 44 76 20 81	1 1 44 76 20 XX
S 20	PN 250	G 3/4 A		27	36	36	49	27.5	39	16	36.2	1 1 44 80 20 81	1 1 44 80 20 XX
S 25	PN 250	G 1 A		41	46	41	56	32	50.5	18	75.0	1 1 44 85 20 81	1 1 44 85 20 XX
S 25	PN 250	G 3/4 A		36	46	36	54	30	44.5	16	46.5	1 1 44 86 20 81	1 1 44 86 20 XX
S 30	PN 160	G 1 1/4 A		50	50	50	87	36.5	56	20	118.7	1 1 44 90 20 81	1 1 44 90 20 XX
S 38	PN 160	G 1 1/2 A		50	60	55	72	41	57.5	22	129.5	1 1 44 95 20 81	1 1 44 95 20 XX

Supplementary to Order No. for complete fitting	
tube connection	Supplementary to Order No.
2S	07
ES-4	09
BV-10	Refer to the front page

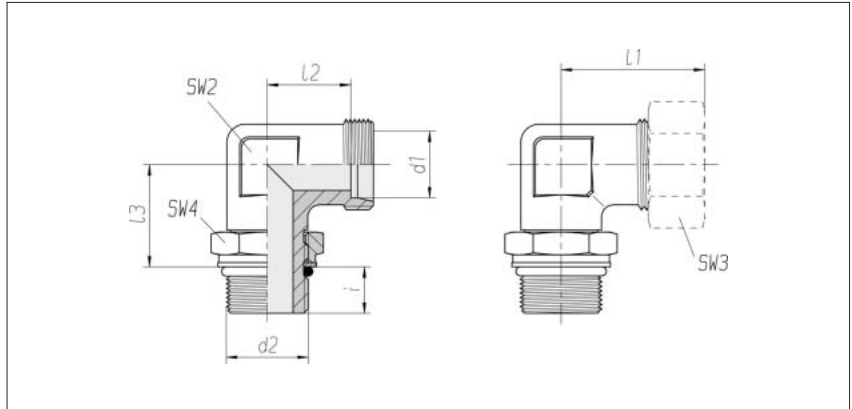
* Apply to complete fittings with 2S or ES-4 tube connection components.
For BV-10 Refer to the front page.

** With union nut and 2S, ES-4 or BV-10 tube connection components

Adjustable elbow couplings with lock nut

Thread:
metric fine thread,
ISO 6149
straight

Sealed with O-ring



Series	Pressure	d2	SW2	SW3	SW4	l1*	l2	l3	i	Nm	kg/100	Order No.	Order No.
Tube OD						approx.				-10 %	approx.	Single component	**
d1													
L 6	PN 315	M 10 x 1	12	14	14	27	12	20	7	15	2.6	0 1 47 00 20 81***	0 1 47 00 20 XX
L 8	PN 315	M 12 x 1.5	12	17	17	29	14	22	10	25	3.7	0 1 47 05 20 81	0 1 47 05 20 XX
L 10	PN 315	M 14 x 1.5	14	19	19	30	15	25	10	35	4.8	0 1 47 10 20 81	0 1 47 10 20 XX
L 12	PN 315	M 16 x 1.5	17	22	22	32	17	26	10	40	6.5	0 1 47 15 20 81	0 1 47 15 20 XX
L 15	PN 315	M 18 x 1.5	19	27	24	36	21	30	11	45	10.4	0 1 47 20 20 81	0 1 47 20 20 XX
L 18	PN 315	M 22 x 1.5	24	32	27	40	23.5	33	12	60	15.7	0 1 47 25 20 81	0 1 47 25 20 XX
L 22	PN 160	M 27 x 2	27	36	32	44	27.5	35	14	100	20.7	0 1 47 30 20 81	0 1 47 30 20 XX
L 28	PN 160	M 33 x 2	36	41	41	47	30.5	38	14	160	34.5	0 1 47 35 20 81	0 1 47 35 20 XX
L 35	PN 160	M 42 x 2	41	50	50	58	34.5	48	14	210	52.7	0 1 47 40 20 81	0 1 47 40 20 XX
L 42	PN 160	M 48 x 2	50	60	55	63	40	49	16	260	81.3	0 1 47 45 20 81	0 1 47 45 20 XX
S 6	PN 400	M 12 x 1.5	12	17	17	31	16	22	10	35	4.6	0 1 47 50 20 81	0 1 47 50 20 XX
S 8	PN 400	M 14 x 1.5	14	19	19	32	17	26	10	45	6.4	0 1 47 55 20 81	0 1 47 55 20 XX
S 10	PN 400	M 16 x 1.5	17	22	22	34	17.5	27	11	55	8.6	0 1 47 60 20 81	0 1 47 60 20 XX
S 12	PN 400	M 18 x 1.5	17	24	24	38	21.5	31	12	70	11.6	0 1 47 65 20 81	0 1 47 65 20 XX
S 16	PN 400	M 22 x 1.5	24	30	27	43	24.5	35	14	100	17.9	0 1 47 75 20 81	0 1 47 75 20 XX
S 20	PN 400	M 27 x 2	27	36	32	48	26.5	39	16	170	28.7	0 1 47 80 20 81	0 1 47 80 20 XX
S 25	PN 315	M 33 x 2	36	46	41	54	30	44	16	310	48.0	0 1 47 85 20 81	0 1 47 85 20 XX
S 30	PN 250	M 42 x 2	41	50	50	62	35.5	51	17	330	76.5	0 1 47 90 20 81	0 1 47 90 20 XX
S 38	PN 200	M 48 x 2	50	60	55	72	41	54	19	420	114.5	0 1 47 95 20 81	0 1 47 95 20 XX

Supplementary to Order No. for complete fitting	Supplementary to Order No.
tube connection	
2S	07
ES-4	09
BV-10	Refer to the front page

* Apply to complete fittings with 2S or ES-4 tube connection components.
For BV-10 Refer to the front page.

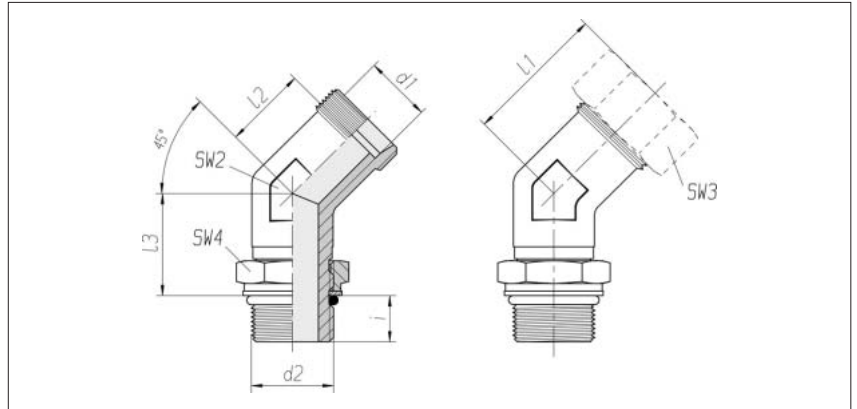
** With union nut and 2S, ES-4 or BV-10 tube connection components

*** Sample product code, see: WEE06LMOROMD

Adjustable 45° stud elbows with lock nut

Thread:
metric fine thread,
ISO 6149
straight

Sealed with O-ring



Series	Pressure	d2	SW2	SW3	SW4	l1* approx.	l2	l3	i	Nm -10 %	kg/100 approx.	Order No. Single component	Order No. **
L 6	PN 315	M 10 x 1	19	14	14	29	14	20	7	15	6.1	1 1 45 00 20 81***	1 1 45 00 20 XX
L 8	PN 315	M 12 x 1.5	19	17	17	31	16	22	10	25	7.1	1 1 45 05 20 81	1 1 45 05 20 XX
L 10	PN 315	M 14 x 1.5	19	19	19	32	17	25	10	35	8.1	1 1 45 10 20 81	1 1 45 10 20 XX
L 12	PN 315	M 16 x 1.5	19	22	22	34	19	26	10	40	8.7	1 1 45 15 20 81	1 1 45 15 20 XX
L 15	PN 315	M 18 x 1.5	19	27	24	32	17	30	11	45	9.7	1 1 45 20 20 81	1 1 45 20 20 XX
L 18	PN 315	M 22 x 1.5	24	32	27	35.5	19	33	12	60	17.7	1 1 45 25 20 81	1 1 45 25 20 XX
L 22	PN 160	M 27 x 2	27	36	32	39	22.5	35	14	100	19.8	1 1 45 30 20 81	1 1 45 30 20 XX
L 28	PN 160	M 33 x 2	36	41	41	41	24.5	38	14	160	32.3	1 1 45 35 20 81	1 1 45 35 20 XX
L 35	PN 160	M 42 x 2	41	50	50	50.5	27	48	14	210	53.7	1 1 45 40 20 81	1 1 45 40 20 XX
L 42	PN 160	M 48 x 2	50	60	55	50	40	49	16	260	69.5	1 1 45 45 20 81	1 1 45 45 20 XX
S 6	PN 400	M 12 x 1.5	19	17	17	31	16	22	10	35	7.6	1 1 45 50 20 81	1 1 45 50 20 XX
S 8	PN 400	M 14 x 1.5	19	19	19	32	17	26	10	45	9.1	1 1 45 55 20 81	1 1 45 55 20 XX
S 10	PN 400	M 16 x 1.5	19	22	22	34.5	18	27	11	55	10.4	1 1 45 60 20 81	1 1 45 60 20 XX
S 12	PN 400	M 18 x 1.5	19	24	24	33.5	17	31	12	70	12.4	1 1 45 65 20 81	1 1 45 65 20 XX
S 16	PN 400	M 22 x 1.5	24	30	27	42.5	19	35	14	100	18.3	1 1 45 75 20 81	1 1 45 75 20 XX
S 20	PN 400	M 27 x 2	27	36	32	43	21.5	39	16	170	27.7	1 1 45 80 20 81	1 1 45 80 20 XX
S 25	PN 315	M 33 x 2	36	46	41	47	23	44	16	310	45.2	1 1 45 85 20 81	1 1 45 85 20 XX
S 30	PN 250	M 42 x 2	41	50	50	50.5	24	51	17	330	72.0	1 1 45 90 20 81	1 1 45 90 20 XX
S 38	PN 200	M 48 x 2	50	60	55	59	28	54	19	420	104.2	1 1 45 95 20 81	1 1 45 95 20 XX

Supplementary to Order No. for complete fitting

tube connection

Supplementary to Order No.

2S

07

ES-4

09

BV-10

Refer to the front page

* Apply to complete fittings with 2S or ES-4 tube connection components.
For BV-10 Refer to the front page.

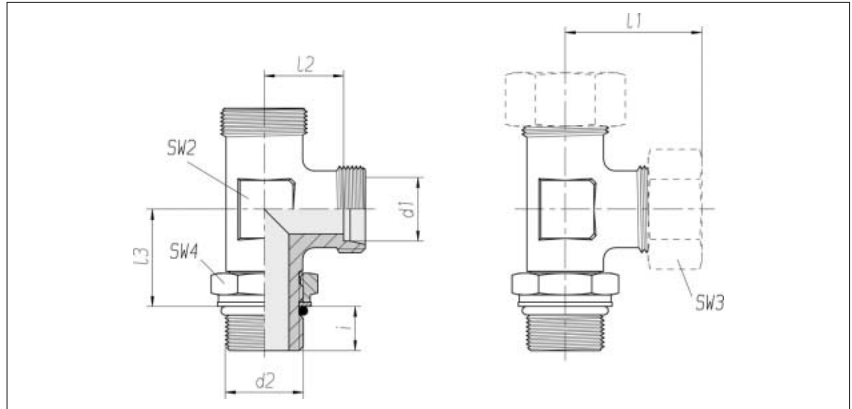
** With union nut and 2S, ES-4 or BV-10 tube connection components

*** Sample product code, see: VEE06LMOROMD

Adjustable L-couplings with lock nut

Thread:
metric fine thread,
ISO 6149
straight

Sealed with O-ring



Series	Pressure	d2	SW2	SW3	SW4	l1*	l2	l3	i	Nm	kg/100	Order No.	Order No.
Tube OD						approx.				-10 %	approx.	Single component	**
d1													
L 6	PN 315	M 10 x 1	14	14	14	29	14	20	7	15	4.8	1 1 46 00 20 81***	1 1 46 00 20 XX
L 8	PN 315	M 12 x 1.5	17	17	17	31	16	22	10	25	6.9	1 1 46 05 20 81	1 1 46 05 20 XX
L 10	PN 315	M 14 x 1.5	17	19	19	32	17	25	10	35	7.0	1 1 46 10 20 81	1 1 46 10 20 XX
L 12	PN 315	M 16 x 1.5	19	22	22	34	19	26	10	40	10.6	1 1 46 15 20 81	1 1 46 15 20 XX
L 15	PN 315	M 18 x 1.5	19	27	24	36	21	30	11	45	12.2	1 1 46 20 20 81	1 1 46 20 20 XX
L 18	PN 315	M 22 x 1.5	27	32	27	43	26.5	33	12	60	25.4	1 1 46 25 20 81	1 1 46 25 20 XX
L 22	PN 160	M 27 x 2	27	36	32	44	27.5	35	14	100	****	1 1 46 30 20 81	1 1 46 30 20 XX
L 28	PN 160	M 33 x 2	36	41	41	47	30.5	38	14	160	****	1 1 46 35 20 81	1 1 46 35 20 XX
L 35	PN 160	M 42 x 2	41	50	50	58	34.5	48	14	210	****	1 1 46 40 20 81	1 1 46 40 20 XX
L 42	PN 160	M 48 x 2	50	60	55	63	40	49	16	260	****	1 1 46 45 20 81	1 1 46 45 20 XX
S 6	PN 400	M 12 x 1.5	17	17	17	31	16	22	10	35	7.5	1 1 46 50 20 81	1 1 46 50 20 XX
S 8	PN 400	M 14 x 1.5	17	19	19	32	17	26	10	45	8.9	1 1 46 55 20 81	1 1 46 55 20 XX
S 10	PN 400	M 16 x 1.5	19	22	22	36	19.5	27	11	55	13.4	1 1 46 60 20 81	1 1 46 60 20 XX
S 12	PN 400	M 18 x 1.5	27	24	24	41	24.5	31	12	70	26.7	1 1 46 65 20 81	1 1 46 65 20 XX
S 16	PN 400	M 22 x 1.5	22	30	27	43	24.5	35	14	100	****	1 1 46 75 20 81	1 1 46 75 20 XX
S 20	PN 400	M 27 x 2	27	36	32	48	26.5	39	16	170	****	1 1 46 80 20 81	1 1 46 80 20 XX
S 25	PN 315	M 33 x 2	36	46	41	54	30	44	16	310	****	1 1 46 85 20 81	1 1 46 85 20 XX
S 30	PN 250	M 42 x 2	41	50	50	62	35.5	51	17	330	****	1 1 46 90 20 81	1 1 46 90 20 XX
S 38	PN 200	M 48 x 2	50	60	55	72	41	54	19	420	****	1 1 46 95 20 81	1 1 46 95 20 XX

Supplementary to Order No. for complete fitting tube connection	Supplementary to Order No.
2S	07
ES-4	09
BV-10	Refer to the front page

* Apply to complete fittings with 2S or ES-4 tube connection components.
For BV-10 Refer to the front page.

** With union nut and 2S, ES-4 or BV-10 tube connection components

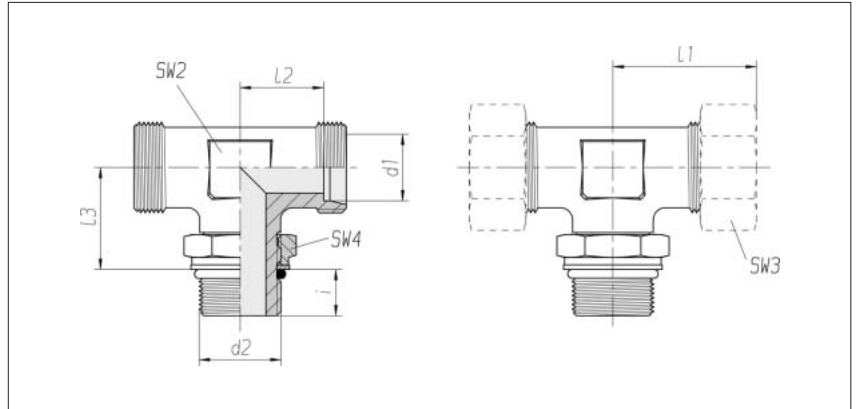
*** Sample product code, see: LEE06LMOROMD

**** On request

Adjustable stud branch tees with lock nut

Thread:
metric fine thread,
ISO 6149
straight

Sealed with O-ring



Series	Pressure	d2	SW2	SW3	SW4	l1*	l2	l3	i	Nm -10 %	kg/100 approx.	Order No. Single component	Order No. **
Tube OD d1						approx.							
L 6	PN 315	M 10 x 1	14	14	14	30	15	20	7	15	4.7	1 1 47 00 20 81***	1 1 47 00 20 XX
L 8	PN 315	M 12 x 1.5	14	17	17	30	15	22	10	25	5.5	1 1 47 05 20 81	1 1 47 05 20 XX
L 10	PN 315	M 14 x 1.5	17	19	19	32.5	17.5	25	10	35	7.3	1 1 47 10 20 81	1 1 47 10 20 XX
L 12	PN 315	M 16 x 1.5	19	22	22	35	20	26	10	40	10.8	1 1 47 15 20 81	1 1 47 15 20 XX
L 15	PN 315	M 18 x 1.5	22	27	24	36	21	30	11	45	15.4	1 1 47 20 20 81	1 1 47 20 20 XX
L 18	PN 315	M 22 x 1.5	27	32	27	42	25.5	33	12	60	81.3	1 1 47 25 20 81	1 1 47 25 20 XX
L 22	PN 160	M 27 x 2	27	36	32	44	27.5	35	14	100	****	1 1 47 30 20 81	1 1 47 30 20 XX
L 28	PN 160	M 33 x 2	36	41	41	47	30.5	38	14	160	****	1 1 47 35 20 81	1 1 47 35 20 XX
L 35	PN 160	M 42 x 2	41	50	50	58	34.5	48	14	210	****	1 1 47 40 20 81	1 1 47 40 20 XX
L 42	PN 160	M 48 x 2	50	60	55	63	40	49	16	260	****	1 1 47 45 20 81	1 1 47 45 20 XX
S 6	PN 400	M 12 x 1.5	17	17	17	30	15	22	10	35	7.3	1 1 47 50 20 81	1 1 47 50 20 XX
S 8	PN 400	M 14 x 1.5	19	19	19	35	20	26	10	45	12.4	1 1 47 55 20 81	1 1 47 55 20 XX
S 10	PN 400	M 16 x 1.5	19	22	22	36.5	20	27	11	55	13.5	1 1 47 60 20 81	1 1 47 60 20 XX
S 12	PN 400	M 18 x 1.5	22	24	24	38	21.5	31	12	70	18.7	1 1 47 65 20 81	1 1 47 65 20 XX
S 16	PN 400	M 22 x 1.5	22	30	27	43	24.5	35	14	100	****	1 1 47 75 20 81	1 1 47 75 20 XX
S 20	PN 400	M 27 x 2	27	36	32	48	26.5	39	16	170	****	1 1 47 80 20 81	1 1 47 80 20 XX
S 25	PN 315	M 33 x 2	36	46	41	54	30	44	16	310	****	1 1 47 85 20 81	1 1 47 85 20 XX
S 30	PN 250	M 42 x 2	41	50	50	62	35.5	51	17	330	****	1 1 47 90 20 81	1 1 47 90 20 XX
S 38	PN 200	M 48 x 2	50	60	55	72	41	54	19	420	****	1 1 47 95 20 81	1 1 47 95 20 XX

Supplementary to Order No. for complete fitting tube connection	Supplementary to Order No.
2S	07
ES-4	09
BV-10	Refer to the front page

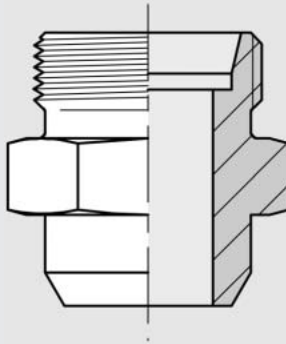
* Apply to complete fittings with 2S or ES-4 tube connection components.
For BV-10 Refer to the front page.

** With union nut and 2S, ES-4 or BV-10 tube connection components

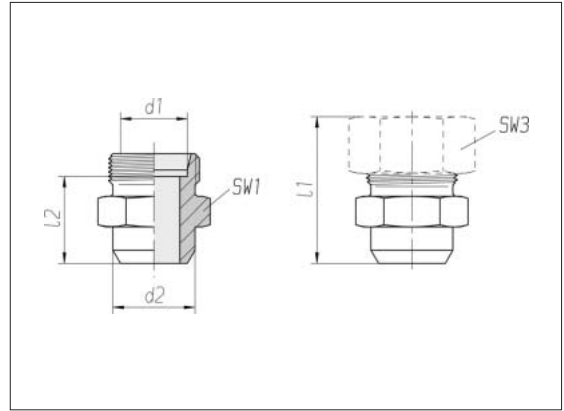
*** Sample product code, see: TEE06LMOROMD

**** On request

Welding couplings



Welding bosses



Series Tube OD d1	Pressure	d2	SW1	SW3	l1* approx.	l2	kg/100 approx.	Order No. Single component	Order No. **
L 6	PN 315	10	12	14	29	14	1.0	0 7 39 00 00 00***	0 1 39 00 00 XX
L 8	PN 315	12	14	17	31	16	1.5	0 7 39 05 00 00	0 1 39 05 00 XX
L 10	PN 315	14	17	19	33	18	2.1	0 7 39 10 00 00	0 1 39 10 00 XX
L 12	PN 315	16	19	22	33	18	2.6	0 7 39 15 00 00	0 1 39 15 00 XX
L 15	PN 315	19	22	27	37	22	4.3	0 7 39 20 00 00	0 1 39 20 00 XX
L 18	PN 315	22	27	32	40	23.5	6.6	0 7 39 25 00 00	0 1 39 25 00 XX
L 22	PN 160	27	32	36	45	28.5	9.7	0 7 39 30 00 00	0 1 39 30 00 XX
L 28	PN 160	32	41	41	47	30.5	15.9	0 7 39 35 00 00	0 1 39 35 00 XX
L 35	PN 160	40	46	50	54	32.5	22.8	0 7 39 40 00 00	0 1 39 40 00 XX
L 42	PN 160	46	55	60	58	35	32.8	0 7 39 45 00 00	0 1 39 45 00 XX
S 6	PN 630	11	14	17	34	19	2.1	0 7 39 50 00 00	0 1 39 50 00 XX
S 8	PN 630	13	17	19	36	21	3.0	0 7 39 55 00 00	0 1 39 55 00 XX
S 10	PN 630	15	19	22	39	22.5	4.0	0 7 39 60 00 00	0 1 39 60 00 XX
S 12	PN 630	17	22	24	41	24.5	5.5	0 7 39 65 00 00	0 1 39 65 00 XX
S 14	PN 630	19	24	27	45	27	7.0	0 7 39 70 00 00	0 1 39 70 00 XX
S 16	PN 400	21	27	30	45	26.5	8.3	0 7 39 75 00 00	0 1 39 75 00 XX
S 20	PN 400	26	32	36	51	29.5	12.9	0 7 39 80 00 00	0 1 39 80 00 XX
S 25	PN 400	31	41	46	56	32	22.2	0 7 39 85 00 00	0 1 39 85 00 XX
S 30	PN 400	36	46	50	62	35.5	29.5	0 7 39 90 00 00	0 1 39 90 00 XX
S 38	PN 315	44	55	60	69	38	45.5	0 7 39 95 00 00	0 1 39 95 00 XX

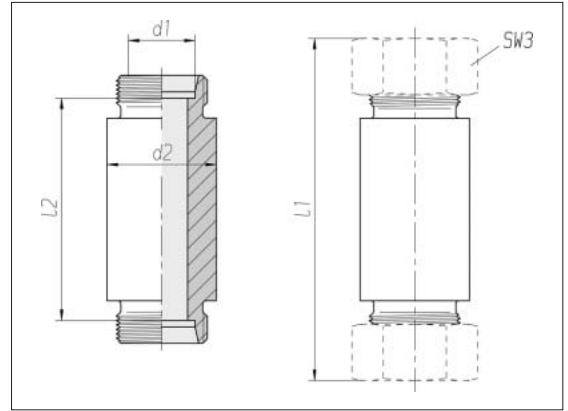
Supplementary to Order No. for complete fitting tube connection		Supplementary to Order No.
2S		07
ES-4		09
BV-10		Refer to the front page

* Apply to complete fittings with 2S or ES-4 tube connection components.
For BV-10 Refer to the front page.

** With union nut and 2S, ES-4 or BV-10 tube connection components

*** Sample product code, see:
AS06LX
ISO 8434-1-WDS-L6-St

Welding bulkhead couplings



Series Tube OD d1	Pressure	d2	SW3	l1* approx.	l2	kg/100 approx.	Order No. Single component	Order No. **
L 6	PN 315	18	14	85	56	10.3	0 7 41 00 00 00***	0 1 41 00 00 XX
L 8	PN 315	20	17	85	56	12.1	0 7 41 05 00 00	0 1 41 05 00 XX
L 10	PN 315	22	19	87	58	14.3	0 7 41 10 00 00	0 1 41 10 00 XX
L 12	PN 315	25	22	87	58	17.7	0 7 41 15 00 00	0 1 41 15 00 XX
L 15	PN 315	28	27	100	70	25.9	0 7 41 20 00 00	0 1 41 20 00 XX
L 18	PN 315	32	32	101	69	33.4	0 7 41 25 00 00	0 1 41 25 00 XX
L 22	PN 160	36	36	105	73	40.0	0 7 41 30 00 00	0 1 41 30 00 XX
L 28	PN 160	40	41	106	73	44.5	0 7 41 35 00 00	0 1 41 35 00 XX
L 35	PN 160	50	50	114	71	72.3	0 7 41 40 00 00	0 1 41 40 00 XX
L 42	PN 160	60	60	115	70	100.5	0 7 41 45 00 00	0 1 41 45 00 XX
S 6	PN 630	20	17	89	60	13.5	0 7 41 50 00 00	0 1 41 50 00 XX
S 8	PN 630	22	19	89	60	16.2	0 7 41 55 00 00	0 1 41 55 00 XX
S 10	PN 630	25	22	91	59	20.0	0 7 41 60 00 00	0 1 41 60 00 XX
S 12	PN 630	28	24	91	59	25.0	0 7 41 65 00 00	0 1 41 65 00 XX
S 14	PN 630	30	27	107	72	33.7	0 7 41 70 00 00	0 1 41 70 00 XX
S 16	PN 400	35	30	107	71	44.4	0 7 41 75 00 00	0 1 41 75 00 XX
S 20	PN 400	38	36	114	71	51.5	0 7 41 80 00 00	0 1 41 80 00 XX
S 25	PN 400	45	46	120	72	72.3	0 7 41 85 00 00	0 1 41 85 00 XX
S 30	PN 400	50	50	126	73	87.3	0 7 41 90 00 00	0 1 41 90 00 XX
S 38	PN 315	60	60	133	72	125.1	0 7 41 95 00 00	0 1 41 95 00 XX

Supplementary to Order No. for complete fitting tube connection	Supplementary to Order No.
2S	07
ES-4	09
BV-10	Refer to the front page

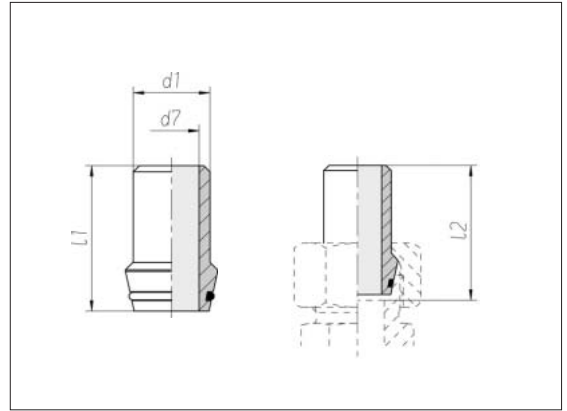
* Apply to complete fittings with 2S or ES-4 tube connection components.
For BV-10 Refer to the front page.

** With union nut and 2S, ES-4 or BV-10 tube connection components

*** Sample product code, see: ESV06LX
ISO 8434-1-WDBHS-L6-St

Welding nipples with O-ring seal

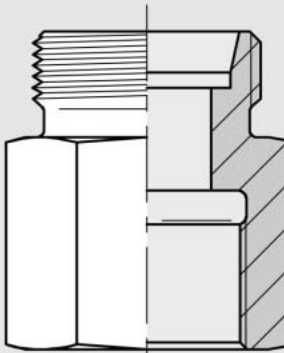
Welding end without
tube centring



Series Tube OD d1	Pressure	d7	for tube	l1	l2	kg/100 approx.	Order No.	Dim. O-ring	Order No. O-ring
S 6	PN 500	3	6 x 1.5	31	31.5	0.7	0 0 70 51 99 00*	4 x 1.5	0 9 00 00 99 67
S 8	PN 400	4.5	8 x 1.5	31	31.5	1.1	0 0 70 56 99 00	6 x 1.5	0 9 00 02 99 67
S 8	PN 500	4	8 x 2	31	31.5	1.1	0 0 70 57 99 00	6 x 1.5	0 9 00 02 99 67
S 10	PN 315	6.5	10 x 1.5	32.5	33.5	1.5	0 0 70 61 99 00	7.5 x 1.5	0 9 00 41 99 67
S 10	PN 400	6	10 x 2	32.5	33.5	1.7	0 0 70 62 99 00	7.5 x 1.5	0 9 00 41 99 67
S 10	PN 400	5	10 x 2.5	32.5	33.5	1.8	0 0 70 63 99 00	7.5 x 1.5	0 9 00 41 99 67
S 12	PN 315	8	12 x 1.5	32.5	33.5	2.1	0 0 70 66 99 00	9 x 1.5	0 9 00 42 99 67
S 12	PN 400	8	12 x 2	32.5	33.5	2.2	0 0 70 67 99 00	9 x 1.5	0 9 00 42 99 67
S 12	PN 400	7	12 x 2.5	32.5	33.5	2.5	0 0 70 68 99 00	9 x 1.5	0 9 00 42 99 67
S 14	PN 315	9	14 x 2	38.5	39.5	3.0	0 0 70 72 99 00	10 x 2	0 9 00 43 99 67
S 14	PN 315	9	14 x 2.5	38.5	39.5	3.3	0 0 70 73 99 00	10 x 2	0 9 00 43 99 67
S 16	PN 315	11	16 x 2	39	41	3.2	0 0 70 77 99 00	12 x 2	0 9 00 44 99 67
S 16	PN 315	11	16 x 2.5	39	41	4.1	0 0 70 78 99 00	12 x 2	0 9 00 44 99 67
S 16	PN 400	10	16 x 3	39	41	4.4	0 0 70 79 99 00	12 x 2	0 9 00 44 99 67
S 20	PN 250	14.5	20 x 2	45	47	6.0	0 0 70 81 99 00	16.3 x 2.4	0 9 00 45 99 67
S 20	PN 315	14	20 x 2.5	45	47	5.8	0 0 70 82 99 00	16.3 x 2.4	0 9 00 45 99 67
S 20	PN 315	14	20 x 3	45	47	6.9	0 0 70 83 99 00	16.3 x 2.4	0 9 00 45 99 67
S 20	PN 400	12	20 x 4	45	47	7.5	0 0 70 84 99 00	16.3 x 2.4	0 9 00 45 99 67
S 25	PN 315	18	25 x 2.5	50	53.5	8.5	0 0 70 86 99 00	20.3 x 2.4	0 9 00 46 99 67
S 25	PN 315	18	25 x 3	50	53.5	9.5	0 0 70 87 99 00	20.3 x 2.4	0 9 00 46 99 67
S 25	PN 400	17	25 x 4	50	53.5	11.0	0 0 70 88 99 00	20.3 x 2.4	0 9 00 46 99 67
S 25	PN 400	15	25 x 5	50	53.5	12.3	0 0 70 89 99 00	20.3 x 2.4	0 9 00 46 99 67
S 30	PN 250	23	30 x 3	52	57	14.9	0 0 70 92 99 00	25.3 x 2.4	0 9 00 47 99 67
S 30	PN 315	22	30 x 4	52	57	14.6	0 0 70 93 99 00	25.3 x 2.4	0 9 00 47 99 67
S 30	PN 400	20	30 x 5	52	57	17.6	0 0 70 94 99 00	25.3 x 2.4	0 9 00 47 99 67
S 38	PN 250	30	38 x 4	56.5	64	22.7	0 0 70 97 99 00	33.3 x 2.4	0 9 00 48 99 67
S 38	PN 315	28	38 x 5	56.5	64	24.6	0 0 70 98 99 00	33.3 x 2.4	0 9 00 48 99 67
S 38	PN 315	26	38 x 6	56.5	64	27.2	0 0 70 99 99 00	33.3 x 2.4	0 9 00 48 99 67

* Sample product code, see:
SKA06X1,5

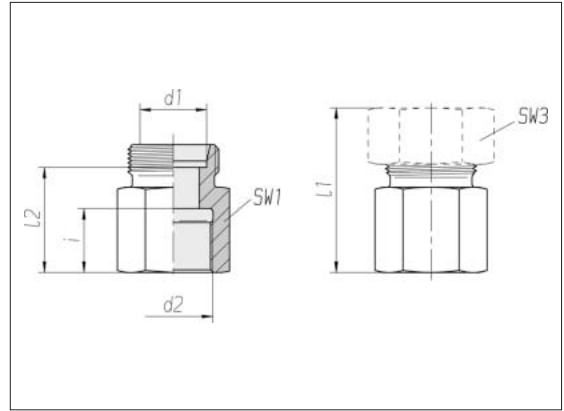
Female stud and
gauge couplings



Experience plus ideas

Straight female stud couplings

Female thread:
metric fine thread



Series	Pressure	d2	SW1	SW3	l1* approx.	l2	i	kg/100 approx.	Order No. Single component	Order No. **
L 6	PN 315	M 10 x 1	14	14	34.5	19.5	12.5	1.8	0 7 43 00 20 00***	0 1 43 00 20 XX
L 8	PN 315	M 10 x 1	14	17	34.5	19.5	12.5	1.8	0 7 43 06 20 00	0 1 43 06 20 XX
L 8	PN 315	M 12 x 1.5	17	17	39	24	17	3.1	0 7 43 05 20 00	0 1 43 05 20 XX
L 10	PN 315	M 14 x 1.5	19	19	40	25	17	3.7	0 7 43 10 20 00	0 1 43 10 20 XX
L 12	PN 315	M 16 x 1.5	22	22	41	26	17	5.1	0 7 43 15 20 00	0 1 43 15 20 XX
L 15	PN 315	M 18 x 1.5	24	27	43	28	17	6.5	0 7 43 20 20 00	0 1 43 20 20 XX
L 18	PN 315	M 22 x 1.5	30	32	46	29.5	19	10.9	0 7 43 25 20 00	0 1 43 25 20 XX
L 22	PN 160	M 26 x 1.5	32	36	51	34.5	21	12.1	0 7 43 30 20 00	0 1 43 30 20 XX
L 28	PN 160	M 33 x 2	41	41	54	37.5	24	20.8	0 7 43 35 20 00	0 1 43 35 20 XX
L 35	PN 160	M 42 x 2	55	50	62	40.5	26	45.2	0 7 43 40 20 00	0 1 43 40 20 XX
L 42	PN 160	M 48 x 2	60	60	65	42	28	51.5	0 7 43 45 20 00	0 1 43 45 20 XX
S 6	PB 630	M 10 x 1	19	17	40.5	25.5	16.5	4.8	0 7 43 51 20 00	0 1 43 51 20 XX
S 6	PB 630	M 12 x 1.5	17	17	41	26	17	3.0	0 7 43 50 20 00	0 1 43 50 20 XX
S 8	PB 630	M 14 x 1.5	19	19	41	26	17	4.2	0 7 43 55 20 00	0 1 43 55 20 XX
S 10	PB 630	M 16 x 1.5	22	22	43	26.5	17	5.8	0 7 43 60 20 00	0 1 43 60 20 XX
S 12	PB 630	M 18 x 1.5	24	24	44	27.5	17	6.9	0 7 43 65 20 00	0 1 43 65 20 XX
S 14	PB 630	M 20 x 1.5	27	27	49	31	19	9.6	0 7 43 70 20 00	0 1 43 70 20 XX
S 16	PB 400	M 22 x 1.5	30	30	49	30.5	19	11.5	0 7 43 75 20 00	0 1 43 75 20 XX
S 20	PB 400	M 27 x 2	36	36	56	34.5	22	18.6	0 7 43 80 20 00	0 1 43 80 20 XX
S 25	PB 400	M 33 x 2	41	46	61	37	24	24.1	0 7 43 85 20 00	0 1 43 85 20 XX
S 30	PB 400	M 42 x 2	55	50	68	41.5	26	49.3	0 7 43 90 20 00	0 1 43 90 20 XX
S 38	PB 315	M 48 x 2	60	60	74	43	28	60.5	0 7 43 95 20 00	0 1 43 95 20 XX

Supplementary to Order No. for complete fitting tube connection	Supplementary to Order No.
2S	07
ES-4	09
BV-10	Refer to the front page

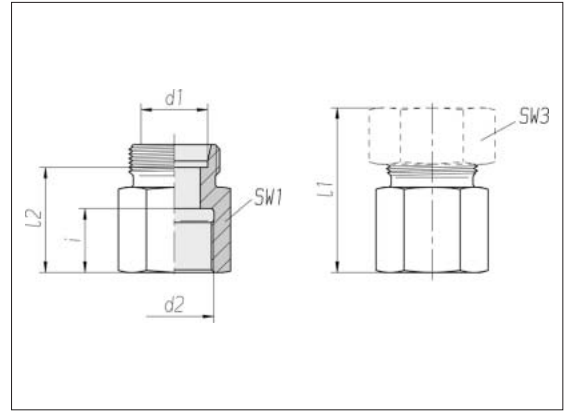
* Apply to complete fittings with 2S or ES-4 tube connection components.
For BV-10 Refer to the front page.

** With union nut and 2S, ES-4 or BV-10 tube connection components

*** Sample product code, see: GAI06LMX

Straight female stud couplings

Female thread:
Whitworth pipe thread



3

Series	Pressure	d2	SW1	SW3	l1*	l2	i	kg/100 approx.	Order No. Single component	Order No. **
Tube OD					approx.					
d1										
L 6	PN 315	G 1/8	14	14	34	19	12	1.8	0 7 44 00 20 00***	0 1 44 00 20 XX
L 8	PN 315	G 1/4	19	17	39	24	17	3.8	0 7 44 05 20 00	0 1 44 05 20 XX
L 8	PN 315	G 3/8	24	17	40	25	17	6.2	0 7 44 07 20 00	0 1 44 07 20 XX
L 10	PN 315	G 1/4	19	19	40	25	17	3.9	0 7 44 10 20 00	0 1 44 10 20 XX
L 10	PN 315	G 3/8	24	19	41	26	17	6.2	0 7 44 12 20 00	0 1 44 12 20 XX
L 10	PN 315	G 1/2	27	19	45	30	20	8.1	0 7 44 13 20 00	0 1 44 13 20 XX
L 12	PN 315	G 1/4	19	22	40	25	17	4.0	0 7 44 16 20 00	0 1 44 16 20 XX
L 12	PN 315	G 3/8	24	22	41	26	17	6.2	0 7 44 15 20 00	0 1 44 15 20 XX
L 12	PN 315	G 1/2	27	22	45.5	31	20	8.4	0 7 44 17 20 00	0 1 44 17 20 XX
L 15	PN 315	G 1/2	27	27	46	31	20	8.6	0 7 44 20 20 00	0 1 44 20 20 XX
L 18	PN 315	G 1/2	27	32	47	30.5	20	8.9	0 7 44 25 20 00	0 1 44 25 20 XX
L 22	PN 160	G 3/4	36	36	52	35.5	22	17.3	0 7 44 30 20 00	0 1 44 30 20 XX
L 28	PN 160	G 1	41	41	54.5	38	24.5	20.9	0 7 44 35 20 00	0 1 44 35 20 XX
L 35	PN 160	G 1 1/4	55	50	62.5	41	26.5	45.7	0 7 44 40 20 00	0 1 44 40 20 XX
L 42	PN 160	G 1 1/2	60	60	65.5	42.5	28.5	52.8	0 7 44 45 20 00	0 1 44 45 20 XX

Supplementary to Order No. for complete fitting tube connection	Supplementary to Order No.
2S	07
ES-4	09
BV-10	Refer to the front page

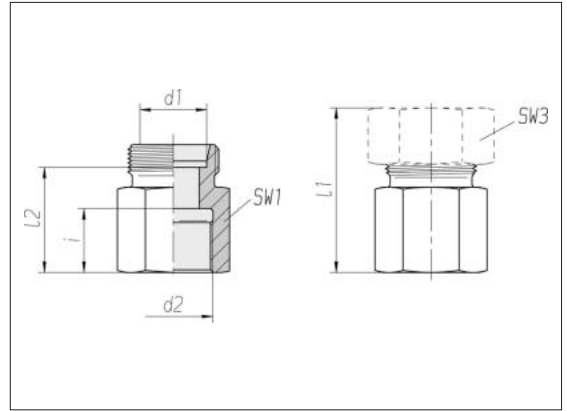
* Apply to complete fittings with 2S or ES-4 tube connection components.
For BV-10 Refer to the front page.

** With union nut and 2S, ES-4 or BV-10 tube connection components

*** Sample product code, see: GAI06LRX

Straight female stud couplings

Female thread:
Whitworth pipe thread



Series	Pressure	d2	SW1	SW3	l1* approx.	l2	i	kg/100 approx.	Order No. Single component	Order No. **
S 6	PB 630	G 1/4	19	17	41	26	17	4.2	0 7 44 50 20 00	0 1 44 50 20 XX
S 6	PB 630	G 1/4	19	17	35.5	21	12	3.5	0 7 44 54 20 00	0 1 44 54 20 XX
S 8	PB 630	G 1/4	19	19	41	26	17	4.4	0 7 44 55 20 00	0 1 44 55 20 XX
S 10	PB 630	G 3/8	24	22	43	26.5	17	6.9	0 7 44 60 20 00	0 1 44 60 20 XX
S 12	PB 630	G 1/4	22	24	43	26.5	17	6.8	0 7 44 66 20 00	0 1 44 66 20 XX
S 12	PB 630	G 3/8	24	24	43	26.5	17	7.1	0 7 44 65 20 00	0 1 44 65 20 XX
S 12	PB 630	G 1/2	27	24	47	30.5	20	8.8	0 7 44 67 20 00	0 1 44 67 20 XX
S 14	PB 630	G 1/2	27	27	50	32	20	9.4	0 7 44 70 20 00	0 1 44 70 20 XX
S 16	PB 400	G 1/2	27	30	50	31.5	20	9.3	0 7 44 75 20 00	0 1 44 75 20 XX
S 20	PB 400	G 3/4	36	36	56	34.5	22	18.9	0 7 44 80 20 00	0 1 44 80 20 XX
S 25	PB 400	G 1	41	46	61.5	37.5	24.5	24.0	0 7 44 85 20 00	0 1 44 85 20 XX
S 30	PB 400	G 1 1/4	55	50	68.5	42	26.5	50.3	0 7 44 90 20 00	0 1 44 90 20 XX
S 38	PB 315	G 1 1/2	60	60	74.5	43.5	28.5	61.5	0 7 44 95 20 00	0 1 44 95 20 XX

Supplementary to Order No. for complete fitting tube connection	Supplementary to Order No.
2S	07
ES-4	09
BV-10	Refer to the front page

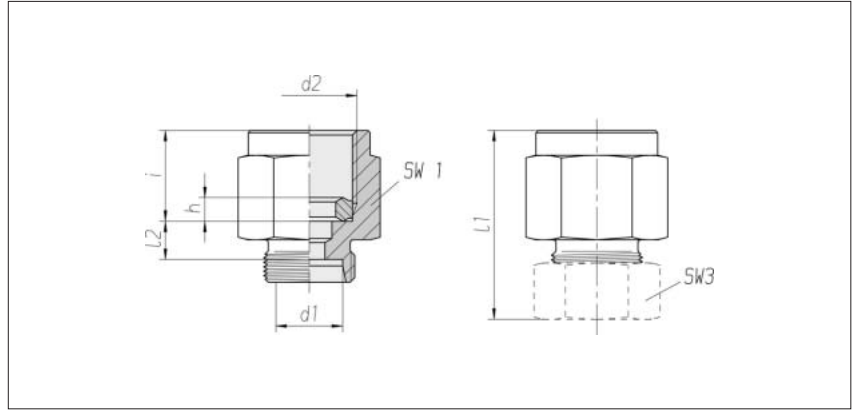
* Apply to complete fittings with 2S or ES-4 tube connection components.
For BV-10 Refer to the front page.

** With union nut and 2S, ES-4 or BV-10 tube connection components

Gauge couplings

Female thread:
Whitworth pipe thread

Standard coupling



3

Series	Pressure	d2		SW1	SW3	l1*	l2	i	h	kg/100	Order No.	Order No.
Tube OD						approx.				approx.	Single component	**
d1												
L 6	PN 315	G 1/4		19	14	37	7.5	14.5	4.6	3.4	0 1 42 00 20 81***	0 1 42 00 20 XX
L 8	PN 315	G 1/4		19	17	37	7.5	14.5	4.6	3.6	0 1 42 05 20 81	0 1 42 05 20 XX
L 10	PN 315	G 1/4		19	19	38	8.5	14.5	4.6	3.9	0 1 42 10 20 81	0 1 42 10 20 XX
L 12	PN 315	G 1/4		19	22	38	8.5	14.5	4.6	4.0	0 1 42 15 20 81	0 1 42 15 20 XX
S 6	PN 630	G 1/2		27	17	46	11	20	5.2	8.2	0 1 42 50 20 81	0 1 42 50 20 XX
S 8	PN 630	G 1/4		19	19	39	9.5	14.5	4.6	4.2	0 1 42 56 20 81	0 1 42 56 20 XX
S 8	PN 630	G 1/2		27	19	46	11	20	5.2	8.5	0 1 42 55 20 81	0 1 42 55 20 XX
S 10	PN 630	G 1/2		27	22	47	10.5	20	5.2	8.8	0 1 42 60 20 81	0 1 42 60 20 XX
S 12	PN 630	G 1/2		27	24	47	10.5	20	5.2	9.0	0 1 42 65 20 81	0 1 42 65 20 XX

Supplementary to Order No. for complete fitting tube connection		Supplementary to Order No.
2S		07
ES-4		09
BV-10		Refer to the front page

* Apply to complete fittings with 2S or ES-4 tube connection components.
For BV-10 Refer to the front page.

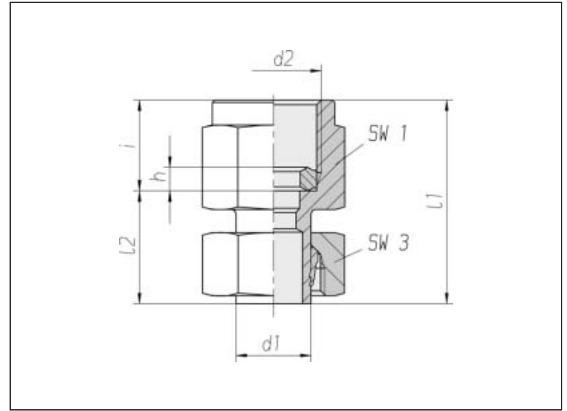
** With union nut and 2S, ES-4 or BV-10 tube connection components

*** Sample product code, see: MAV06LROMD

Gauge couplings

Female thread:
Whitworth pipe thread

Male version
pre-assembled

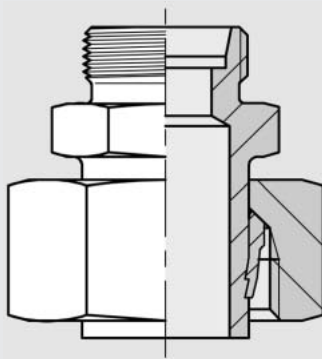


Series	Pressure	d2	SW1	SW3	l1	l2	i	h	kg/100	Order No.
Tube OD					approx.				approx.	
d1										
L 6	PN 315	G 1/8	19	14	38	23.5	14.5	¹⁾	5.2	0 1 42 03 20 07
L 6	PN 315	G 1/4	19	14	38	23.5	14.5	4.6	4.8	0 1 42 04 20 07*
L 8	PN 315	G 1/4	19	17	38	23.5	14.5	4.6	5.5	0 1 42 09 20 07
L 10	PN 315	G 1/4	19	19	39.5	25	14.5	4.6	6.2	0 1 42 13 20 07
L 12	PN 315	G 1/4	19	22	40.5	26	14.5	4.6	7.4	0 1 42 18 20 07
S 6	PN 630	G 1/2	27	17	45	25	20	5.2	9.9	0 1 42 54 20 07
S 8	PN 630	G 1/2	27	19	45	25	20	5.2	10.4	0 1 42 59 20 07
S 10	PN 630	G 1/2	27	22	47	27	20	5.2	12.0	0 1 42 61 20 07
S 12	PN 630	G 1/2	27	24	47.5	27.5	20	5.2	12.9	0 1 42 69 20 07

* Sample product code, see:
MAVEV06LR

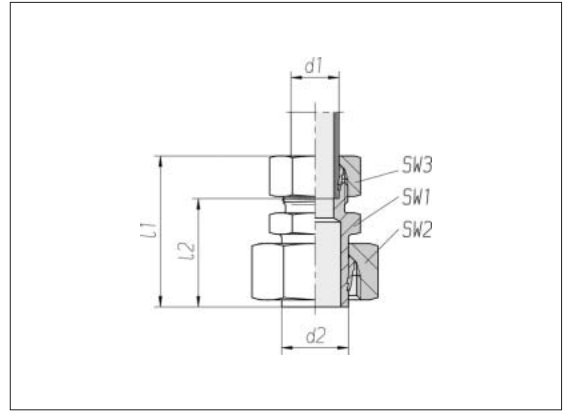
¹⁾ without seal-edge ring

Reducing couplings



Reducing inserts

With hexagon for locking
Tube socket pre-assembled



Tube socket d2	Pressure	Series Tube OD d1	SW1	SW2	SW3	l1 approx.	l2	kg/100 approx.	Order No. Single component	Order No. *
L 8	PN 315	L 6	12	17	14	40.5	26	2.9	0 1 48 05 20 74**	0 1 48 05 20 73
L 10	PN 315	L 8	14	19	17	42.5	28	3.8	0 1 48 10 20 74	0 1 48 10 20 73
L 10	PN 315	L 6	12	19	14	41.5	27	3.4	0 1 48 11 20 74	0 1 48 11 20 73
L 12	PN 315	L 10	17	22	19	45.5	31	5.2	0 1 48 15 20 74	0 1 48 15 20 73
L 12	PN 315	L 8	14	22	17	44.5	30	4.8	0 1 48 16 20 74	0 1 48 16 20 73
L 12	PN 315	L 6	14	22	14	44.5	30	4.7	0 1 48 17 20 74	0 1 48 17 20 73
L 15	PN 315	L 12	19	27	22	48	33	8.2	0 1 48 20 20 74	0 1 48 20 20 73
L 15	PN 315	L 10	17	27	19	47	32	7.7	0 1 48 21 20 74	0 1 48 21 20 73
L 15	PN 315	L 8	17	27	17	46	31	7.5	0 1 48 22 20 74	0 1 48 22 20 73
L 15	PN 315	L 6	17	27	14	46	31	7.4	0 1 48 23 20 74	0 1 48 23 20 73
L 18	PN 315	L 15	24	32	27	47.5	32.5	11.9	0 1 48 25 20 74	0 1 48 25 20 73
L 18	PN 315	L 12	19	32	22	46.5	31.5	10.3	0 1 48 26 20 74	0 1 48 26 20 73
L 18	PN 315	L 10	19	32	19	46.5	31.5	10.2	0 1 48 27 20 74	0 1 48 27 20 73
L 18	PN 315	L 8	19	32	17	45.5	30.5	10.2	0 1 48 28 20 74	0 1 48 28 20 73
L 18	PN 315	L 6	19	32	14	45.5	30.5	11.0	0 1 48 29 20 74	0 1 48 29 20 73
L 22	PN 160	L 18	27	36	32	50.5	34	16.2	0 1 48 30 20 74	0 1 48 30 20 73
L 22	PN 160	L 15	24	36	27	48.5	33.5	14.7	0 1 48 31 20 74	0 1 48 31 20 73
L 22	PN 160	L 12	24	36	22	47.5	32.5	14.1	0 1 48 32 20 74	0 1 48 32 20 73
L 22	PN 160	L 10	24	36	19	47.5	32.5	14.1	0 1 48 33 20 74	0 1 48 33 20 73
L 22	PN 160	L 8	24	36	17	46.5	31.5	14.5	0 1 48 34 20 74	0 1 48 34 20 73
L 22	PN 160	S 20	32	36	36	61.5	40	21.5	0 1 98 36 20 74	0 1 98 36 20 73
L 28	PN 160	L 22	32	41	36	54	37.5	20.2	0 1 48 35 20 74	0 1 48 35 20 73
L 28	PN 160	L 18	30	41	32	52	35.5	19.1	0 1 48 36 20 74	0 1 48 36 20 73
L 28	PN 160	L 15	30	41	27	50	35	18.4	0 1 48 37 20 74	0 1 48 37 20 73
L 28	PN 160	L 12	30	41	22	49	34	18.3	0 1 48 38 20 74	0 1 48 38 20 73
L 28	PN 160	L 10	30	41	19	49	34	17.8	0 1 48 39 20 74	0 1 48 39 20 73
L 28	PN 160	L 8	30	41	17	50	35	17.5	0 1 99 02 20 74	0 1 99 02 20 73

Continuation on page 183

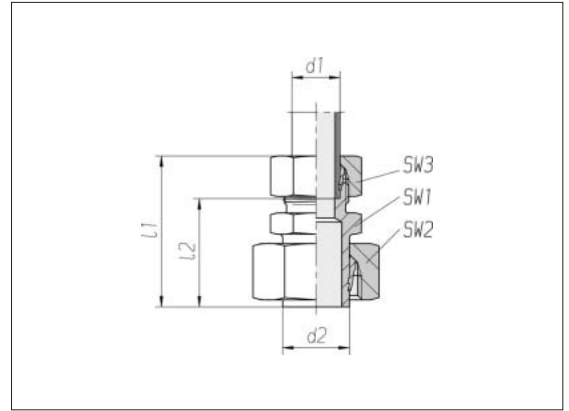
Other diameter combinations on request

* With union nut and 2S cutting ring

** Sample product code, see: KOR08/06LOMD

Reducing inserts

With hexagon for locking
Tube socket pre-assembled



3

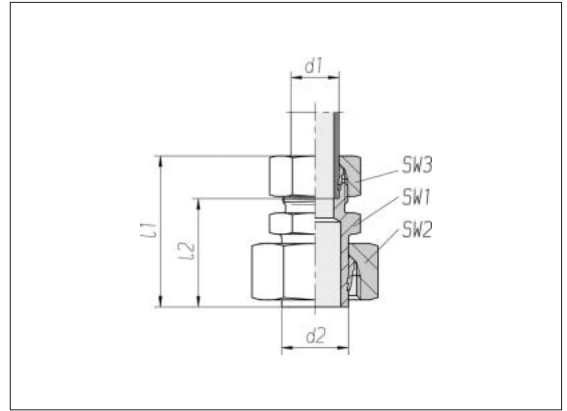
Tube socket d2	Pressure	Series Tube OD d1	SW1	SW2	SW3	l1 approx.	l2	kg/100 approx.	Order No. Single component	Order No. *
L 35	PN 160	L 28	41	50	41	61.5	45	31.8	0 1 48 40 20 74	0 1 48 40 20 73
L 35	PN 160	L 22	36	50	36	60.5	44	28.8	0 1 48 41 20 74	0 1 48 41 20 73
L 35	PN 160	L 18	36	50	32	58.5	42	28.7	0 1 48 42 20 74	0 1 48 42 20 73
L 35	PN 160	L 15	36	50	27	56.5	41.5	29.1	0 1 48 43 20 74	0 1 48 43 20 73
L 35	PN 160	L 12	36	50	22	55	40.5	28.6	0 1 48 44 20 74	0 1 48 44 20 73
L 42	PN 160	L 35	46	60	50	69	47.5	47.8	0 1 48 45 20 74	0 1 48 45 20 73
L 42	PN 160	L 28	46	60	41	64	47.5	45.1	0 1 48 46 20 74	0 1 48 46 20 73
L 42	PN 160	L 22	46	60	36	63	46.5	44.9	0 1 48 47 20 74	0 1 48 47 20 73
L 42	PN 160	L 18	46	60	32	61	44.5	46.2	0 1 48 48 20 74	0 1 48 48 20 73
L 42	PN 160	L 15	46	60	27	60	45	45.0	0 1 48 49 20 74	0 1 48 49 20 73
L 42	PN 160	L 10	46	60	19	59	44	44.2	0 1 99 80 20 74	0 1 99 80 20 73

Other diameter combinations
on request

* With union nut and 2S cutting ring

Reducing inserts

With hexagon for locking
Tube socket pre-assembled



Tube socket d2	Pressure	Series Tube OD d1	SW1	SW2	SW3	l1 approx.	l2	kg/100 approx.	Order No. Single component	Order No. *
S 8	PN 630	S 6	14	19	17	45	30	4.4	0 1 48 55 20 74**	0 1 48 55 20 73
S 10	PN 630	S 8	17	22	19	49	34	6.7	0 1 48 60 20 74	0 1 48 60 20 73
S 10	PN 630	S 6	14	22	17	47	32	5.9	0 1 48 61 20 74	0 1 48 61 20 73
S 12	PN 630	S 10	19	24	22	50	33.5	7.8	0 1 48 65 20 74	0 1 48 65 20 73
S 12	PN 630	S 8	17	24	19	49	34	7.4	0 1 48 66 20 74	0 1 48 66 20 73
S 12	PN 630	S 6	14	24	17	47	32	6.6	0 1 48 67 20 74	0 1 48 67 20 73
S 14	PN 630	S 12	22	27	24	55	38.5	12.0	0 1 48 70 20 74	0 1 48 70 20 73
S 14	PN 630	S 10	19	27	22	53	36.5	10.6	0 1 48 71 20 74	0 1 48 71 20 73
S 14	PN 630	S 8	17	27	19	52	37	10.0	0 1 48 72 20 74	0 1 48 72 20 73
S 14	PN 630	S 6	17	27	17	50	35	9.6	0 1 48 73 20 74	0 1 48 73 20 73
S 16	PN 400	S 14	24	30	27	58	40	14.7	0 1 48 75 20 74	0 1 48 75 20 73
S 16	PN 400	S 12	22	30	24	55	38.5	13.3	0 1 48 76 20 74	0 1 48 76 20 73
S 16	PN 400	S 10	19	30	22	53	36.5	11.9	0 1 48 77 20 74	0 1 48 77 20 73
S 16	PN 400	S 8	17	30	19	52	37	11.6	0 1 48 78 20 74	0 1 48 78 20 73
S 16	PN 400	S 6	17	30	17	50	35	11.1	0 1 48 79 20 74	0 1 48 79 20 73
S 16	PN 315	L 12	19	30	22	50.5	36	11.6	1 1 48 02 20 74	1 1 48 02 20 73
S 16	PN 315	L 15	24	30	27	54	39	13.4	0 1 97 87 20 74	0 1 97 87 20 73
S 20	PN 400	S 16	27	36	30	62	43.5	20.3	0 1 48 80 20 74	0 1 48 80 20 73
S 20	PN 400	S 14	24	36	27	62	44	19.1	0 1 48 81 20 74	0 1 48 81 20 73
S 20	PN 400	S 12	22	36	24	59	42.5	17.9	0 1 48 82 20 74	0 1 48 82 20 73
S 20	PN 400	S 10	22	36	22	57	40.5	16.8	0 1 48 83 20 74	0 1 48 83 20 73
S 20	PN 400	S 8	22	36	19	56	41	17.2	0 1 48 84 20 74	0 1 48 84 20 73
S 20	PN 400	S 6	22	36	17	55	40	7.4	0 1 99 01 20 74	0 1 99 01 20 73

Continuation on page 185

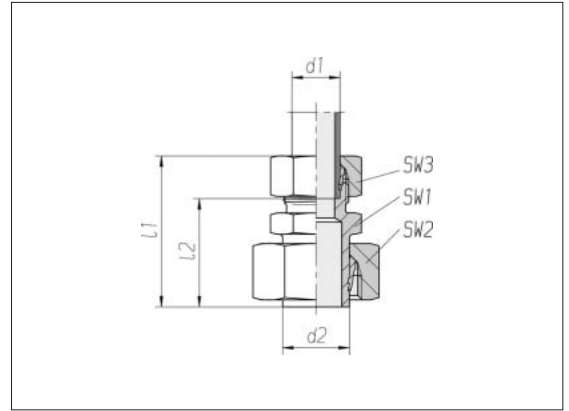
Other diameter combinations on request

* With union nut and 2S cutting ring

** Sample product code, see: KOR08/06SOMD

Reducing inserts

With hexagon for locking
Tube socket pre-assembled



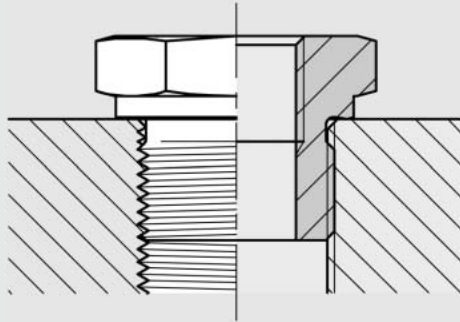
3

Tube socket d2	Pressure	Series Tube OD d1	SW1	SW2	SW3	l1 approx.	l2	kg/100 approx.	Order No. Single component	Order No. *
S 25	PN 400	S 20	32	46	36	70	48.5	37.0	0 1 48 85 20 74	0 1 48 85 20 73
S 25	PN 400	S 16	27	46	30	65	46.5	33.2	0 1 48 86 20 74	0 1 48 86 20 73
S 25	PN 400	S 14	27	46	27	65	47	33.1	0 1 48 87 20 74	0 1 48 87 20 73
S 25	PN 400	S 12	27	46	24	62	45.5	32.6	0 1 48 88 20 74	0 1 48 88 20 73
S 25	PN 400	S 10	27	46	22	60	43.5	31.9	0 1 48 89 20 74	0 1 48 89 20 73
S 25	PN 400	S 8	27	46	19	59	44	31.5	0 1 99 00 20 74	0 1 99 00 20 73
S 25	PN 160	L 22	32	46	36	64	47.5	36.0	0 1 98 37 20 74	0 1 98 37 20 73
S 25	PN 315	L 18	27	46	32	60	43.5	31.7	0 1 98 62 20 74	0 1 98 62 20 73
S 30	PN 400	S 25	41	50	46	78	54	49.4	0 1 48 90 20 74	0 1 48 90 20 73
S 30	PN 400	S 20	32	50	36	73	51.5	39.9	0 1 48 91 20 74	0 1 48 91 20 73
S 30	PN 400	S 16	32	50	30	68	49.5	37.9	0 1 48 92 20 74	0 1 48 92 20 73
S 30	PN 400	S 14	32	50	27	68	50	18.1	0 1 48 93 20 74	0 1 48 93 20 73
S 30	PN 400	S 12	32	50	24	65	48.5	37.5	0 1 48 94 20 74	0 1 48 94 20 73
S 38	PN 315	S 30	46	60	50	87	60.5	71.4	0 1 48 95 20 74	0 1 48 95 20 73
S 38	PN 315	S 25	41	60	46	84	60	64.5	0 1 48 96 20 74	0 1 48 96 20 73
S 38	PN 315	S 20	41	60	36	79	57.5	60.5	0 1 48 97 20 74	0 1 48 97 20 73
S 38	PN 315	S 16	41	60	30	74	55.5	58.9	0 1 48 98 20 74	0 1 48 98 20 73
S 38	PN 315	S 10	41	60	22	71	54.5	28.2	0 1 99 87 20 74	0 1 99 87 20 73

Other diameter combinations
on request

* With union nut and 2S cutting ring

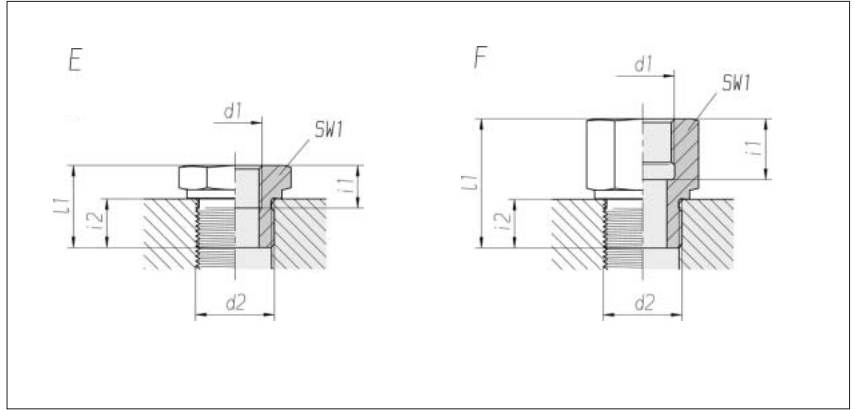
Component Parts



Reducing couplings

Both threads:
Whitworth pipe thread,
straight

Sealed with seal edge



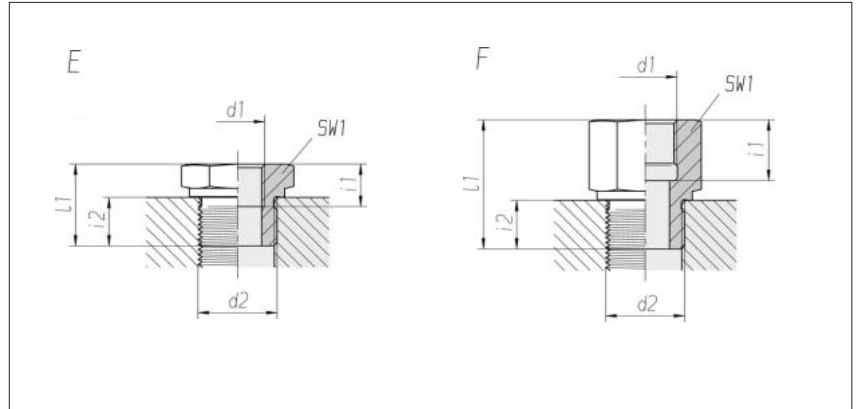
Male thread d2	Female thread d1	Pressure	SW1	l1	i1	i2	Type	Nm -10 %	kg/100 approx.	Order No.
G 1/8 A	G 3/8	PB 630	24	32	17	8	F	25	6.3	0 1 49 00 20 00*
G 1/8 A	G 1/4	PB 630	19	31	17	8	F	25	3.7	0 1 49 01 20 00
G 1/4 A	G 3/4	PB 630	36	43	22	12	F	60	17.0	0 1 49 02 20 00
G 1/4 A	G 1/2	PB 630	27	40	20	12	F	60	8.6	0 1 49 03 20 00
G 1/4 A	G 3/8	PB 630	24	36	17	12	F	60	6.6	0 1 49 04 20 00
G 1/4 A	G 1/8	PB 630	19	28	12	12	F	60	4.0	0 1 49 05 20 00
G 3/8 A	G 3/4	PB 400	36	44	22	12	F	110	17.7	0 1 49 06 20 00
G 3/8 A	G 1/2	PB 400	27	41	20	12	F	110	9.6	0 1 49 07 20 00
G 3/8 A	G 1/4	PB 400	22	36	17	12	F	110	7.0	0 1 49 08 20 00
G 3/8 A	G 1/8	PB 400	22	22.5	8	12	E	110	3.9	0 1 49 09 20 00
G 1/2 A	G 1 1/4	PB 250	55	53	26.5	14	F	200	48.0	0 1 49 10 20 00
G 1/2 A	G 1	PB 400	41	49	24.5	14	F	200	22.1	0 1 49 11 20 00
G 1/2 A	G 3/4	PB 400	36	46	22	14	F	200	18.2	0 1 49 12 20 00
G 1/2 A	G 3/8	PB 400	27	36	17	14	F	200	9.1	0 1 49 13 20 00
G 1/2 A	G 1/4	PB 400	27	24	12	14	E	200	5.5	0 1 49 14 20 00
G 1/2 A	G 1/8	PB 400	27	24	8	14	E	200	6.6	0 1 49 15 20 00
G 3/4 A	G 1 1/2	PB 250	60	57	28.5	16	F	320	56.5	0 1 49 16 20 00
G 3/4 A	G 1 1/4	PB 250	55	55	26.5	16	F	320	48.7	0 1 49 17 20 00
G 3/4 A	G 1	PB 400	41	51	24.5	16	F	320	23.7	0 1 49 18 20 00
G 3/4 A	G 1/2	PB 400	32	41	20	16	F	320	14.4	0 1 49 19 20 00
G 3/4 A	G 3/8	PB 400	32	26	12	16	E	320	8.7	0 1 49 20 20 00
G 3/4 A	G 1/4	PB 400	32	26	12	16	E	320	10.2	0 1 49 21 20 00

Continuation on page 189

Reducing couplings

Both threads:
Whitworth pipe thread,
straight

Sealed with seal edge



Male thread d2	Female thread d1	Pressure	SW1	l1	i1	i2	Type	Nm -10 %	kg/100 approx.	Order No.	
G 1	A	G 1 1/2	PB 250	60	59	28.5	18	F	500	58.6	0 1 49 22 20 00*
G 1	A	G 1 1/4	PB 250	55	57	26.5	18	F	500	50.9	0 1 49 23 20 00
G 1	A	G 3/4	PB 400	41	47	22	18	F	500	27.3	0 1 49 24 20 00
G 1	A	G 1/2	PB 400	41	29	14	18	E	500	15.4	0 1 49 25 20 00
G 1	A	G 3/8	PB 400	41	29	12	18	E	500	17.9	0 1 49 26 20 00
G 1	A	G 1/4	PB 400	41	29	12	18	E	500	19.5	0 1 49 27 20 00
G 1 1/4 A	A	G 1 1/2	PB 250	60	60	28.5	20	F	600	62.1	0 1 49 28 20 00
G 1 1/4 A	A	G 1	PB 250	50	52	24.5	20	F	600	45.8	0 1 49 29 20 00
G 1 1/4 A	A	G 3/4	PB 250	50	32	16	20	E	600	26.4	0 1 49 30 20 00
G 1 1/4 A	A	G 1/2	PB 250	50	32	14	20	E	600	31.0	0 1 49 31 20 00
G 1 1/2 A	A	G 1 1/4	PB 250	55	58	26.5	22	F	800	52.7	0 1 49 32 20 00
G 1 1/2 A	A	G 1	PB 250	55	36	18	22	E	800	34.0	0 1 49 33 20 00
G 1 1/2 A	A	G 3/4	PB 250	55	36	16	22	E	800	42.2	0 1 49 34 20 00
G 1 1/2 A	A	G 1/2	PB 250	55	36	14	22	E	800	47.8	0 1 49 35 20 00

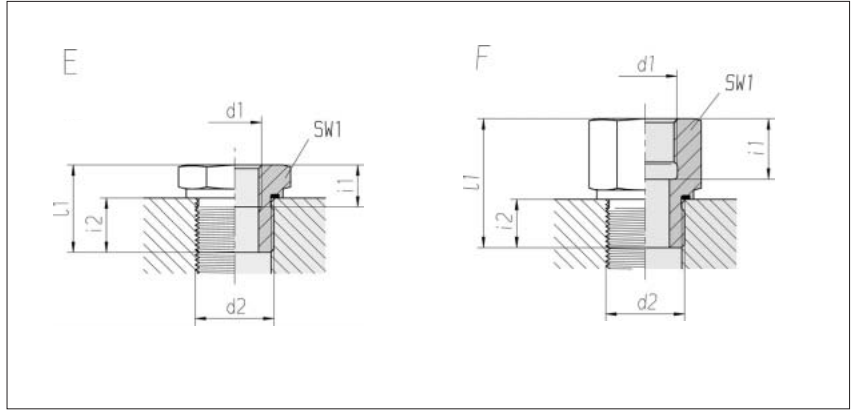
Reducing couplings with metric threads on request

* Sample product code, see: RI1X11/2X

Reducing couplings

Both threads:
Whitworth pipe thread,
straight

Sealed with PEFLEX seal



Male thread d2	Female thread d1	Pressure	SW1	l1	i1	i2	Type	Nm -10 %	kg/100 approx.	Order No.
G 1/8 A	G 3/8	PN 630	24	33.5	17	8	F	20	6.8	1 1 49 00 20 00*
G 1/8 A	G 1/4	PN 630	19	32.5	17	8	F	20	4.2	1 1 49 01 20 00
G 1/4 A	G 3/4	PN 630	36	44.5	22	12	F	60	18.5	1 1 49 02 20 00
G 1/4 A	G 1/2	PN 630	30	41.5	20	12	F	60	12.4	1 1 49 03 20 00
G 1/4 A	G 3/8	PN 630	24	37.5	17	12	F	60	7.3	1 1 49 04 20 00
G 1/4 A	G 1/8	PN 630	19	31.5	12	12	F	60	4.6	1 1 49 05 20 00
G 3/8 A	G 3/4	PN 400	36	45.5	22	12	F	90	19.1	1 1 49 06 20 00
G 3/8 A	G 1/2	PN 630	30	42.5	20	12	F	90	13.2	1 1 49 07 20 00
G 3/8 A	G 1/4	PN 630	22	37.5	17	12	F	90	7.2	1 1 49 08 20 00
G 3/8 A	G 1/8	PN 630	22	22.5	8	12	E	90	3.8	1 1 49 09 20 00
G 1/2 A	G 1 1/4	PN 400	55	54.5	26.5	14	F	150	50.3	1 1 49 10 20 00
G 1/2 A	G 1	PN 400	41	50.5	24.5	14	F	150	23.7	1 1 49 11 20 00
G 1/2 A	G 3/4	PN 400	36	47.5	22	14	F	150	19.4	1 1 49 12 20 00
G 1/2 A	G 1/2	PN 630	30	42	20	14	F	150	12.3	1 1 49 40 20 00
G 1/2 A	G 3/8	PN 630	27	37.5	17	14	F	150	9.7	1 1 49 13 20 00
G 1/2 A	G 1/4	PN 630	27	24	12	14	E	150	5.6	1 1 49 14 20 00
G 1/2 A	G 1/8	PN 630	27	24	8	14	E	150	6.5	1 1 49 15 20 00
G 3/4 A	G 1 1/2	PN 315	60	58.5	28.5	16	F	200	59.6	1 1 49 16 20 00
G 3/4 A	G 1 1/4	PN 400	55	56.5	26.5	16	F	200	51.4	1 1 49 17 20 00
G 3/4 A	G 1	PN 400	41	52.5	24.5	16	F	200	24.7	1 1 49 18 20 00
G 3/4 A	G 1/2	PN 400	32	42.5	20	16	F	200	15.0	1 1 49 19 20 00
G 3/4 A	G 3/8	PN 400	32	26	12	16	E	200	8.5	1 1 49 20 20 00
G 3/4 A	G 1/4	PN 400	32	26	12	16	E	200	10.1	1 1 49 21 20 00

Continuation on page 191

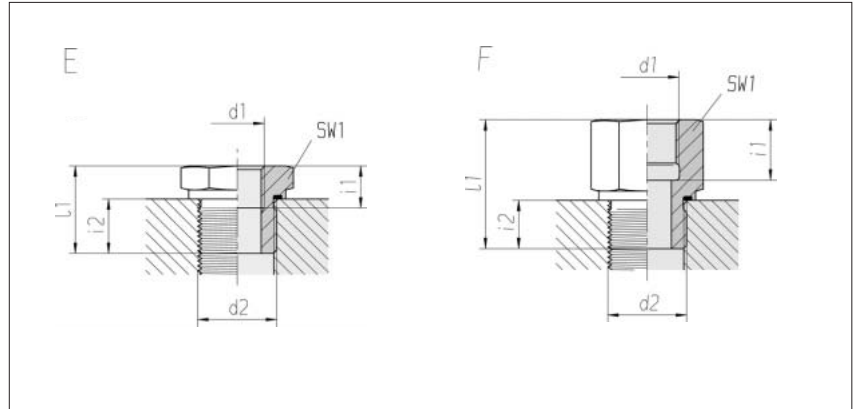
Reducing couplings with metric
threads on request

* Sample product code, see:
RI1/8EDX3/8

Reducing couplings

Both threads:
Whitworth pipe thread,
straight

Sealed with PEFLEX seal



Male thread d2	Female thread d1	Pressure	SW1	l1	i1	i2	Type	Nm -10 %	kg/100 approx.	Order No.
G 1	A G 1 1/2	PN 315	60	61	28.5	18	F	250	62.6	1 1 49 22 20 00*
G 1	A G 1 1/4	PN 400	55	59	26.5	18	F	250	54.9	1 1 49 23 20 00
G 1	A G 3/4	PN 400	41	49	22	18	F	250	28.6	1 1 49 24 20 00
G 1	A G 1/2	PN 400	41	29	14	18	E	250	15.2	1 1 49 25 20 00
G 1	A G 3/8	PN 400	41	29	12	18	E	250	17.8	1 1 49 26 20 00
G 1	A G 1/4	PN 400	41	29	12	18	E	250	19.3	1 1 49 27 20 00
G 1 1/4 A	G 1 1/2	PN 315	60	62	28.5	20	F	500	65.9	1 1 49 28 20 00
G 1 1/4 A	G 1	PN 400	50	54	24.5	20	F	500	48.2	1 1 49 29 20 00
G 1 1/4 A	G 3/4	PN 400	50	32	16	20	E	500	26.0	1 1 49 30 20 00
G 1 1/4 A	G 1/2	PN 400	50	32	14	20	E	500	30.9	1 1 49 31 20 00
G 1 1/2 A	G 1 1/4	PN 315	55	60	26.5	22	F	600	55.3	1 1 49 32 20 00
G 1 1/2 A	G 1	PN 315	55	36	18	22	E	600	33.6	1 1 49 33 20 00
G 1 1/2 A	G 3/4	PN 315	55	36	16	22	E	600	41.6	1 1 49 34 20 00
G 1 1/2 A	G 1/2	PN 315	55	36	14	22	E	600	46.7	1 1 49 35 20 00
G 2	A G 1 1/2	PN 160	70	65	28.5	24	F	700	105.0	1 1 49 41 20 00
G 2	A G 1 1/4	PN 160	70	45	26.5	24	E	700	69.6	1 1 49 47 20 00

Reducing couplings with metric threads on request

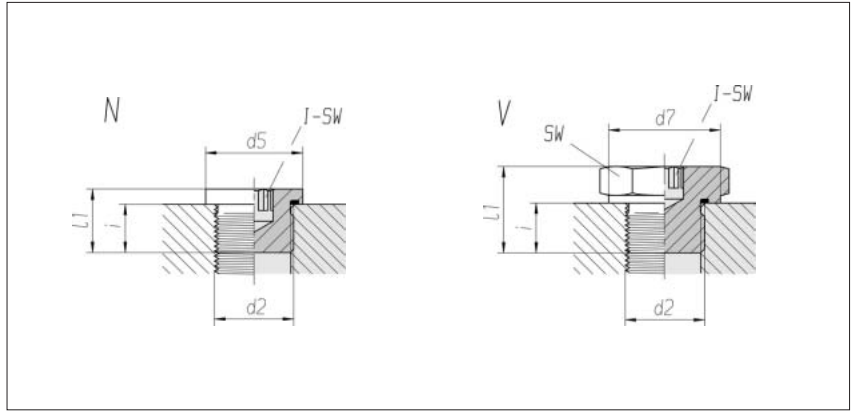
* Sample product code, see: RI1EDX11/2

Blanking screws

For threaded holes
according to DIN 3852 /
ISO 9974

Thread:
metric fine thread,
straight

Sealed with PEFLEX seal



d2	Pressure	SW	d5	d7	I-SW	l1	i	Type	Nm -10 %	kg/100 approx.	Order No.
M 8 x 1	PN 400		12.0	4	12.3	8	N	10	0.5		0 1 89 14 21 00**
M 10 x 1	PN 400		14.0	5	12.3	8	N	12	0.7		0 1 89 20 21 00
M 10 x 1	PN 400	14		13.9	18	8	V	12	1.6		1 1 89 20 21 00
M 12 x 1.5	PN 400		17.0	6	17.3	12	N	23	1.4		0 1 89 21 21 00
M 14 x 1.5	PN 400		19.0	6	17.3	12	N	30	1.9		0 1 89 22 21 00
M 14 x 1.5	PN 400	19		18.9	22	12	V	30	3.4		1 1 89 22 21 00
M 16 x 1.5	PN 400		21.9	8	17.3	12	N	50	2.4		0 1 89 23 21 00
M 18 x 1.5	PN 400		23.9	8	17.3	12	N	65	3.2		0 1 89 24 21 00
M 18 x 1.5	PN 400	24		23.9	22	12	V	65	5.6		1 1 89 24 21 00
M 20 x 1.5	PN 400		25.9	10	19.3	14	N	75	4.0		0 1 89 25 21 00
M 22 x 1.5	PN 400		27.0	10	19.3	14	N	90	5.0		0 1 89 26 21 00
M 24 x 1.5	PN 400		29.9	12	19.3	14	N	80	5.8		0 1 89 27 21 00
M 26 x 1.5	PN 400		31.9	12	21.3	16	N	110	7.4		0 1 89 28 21 00
M 27 x 2	PN 400		32.0	12	21.3	16	N	130	7.7		0 1 89 29 21 00
M 33 x 2	PN 400		39.9	17	22.8	16	N	225	12.4		0 1 89 30 21 00
M 33 x 2*	PN 400	46		46	17	33	V	250	27.4		1 1 89 30 21 00
M 42 x 2	PN 315		49.9	22	22.8	16	N	310	18.6		0 1 89 31 21 00
M 42 x 2*	PN 400	60		57	22	38	V	400	53.4		1 1 89 31 21 00
M 48 x 2	PN 315		55.0	24	22.8	16	N	380	24.4		0 1 89 32 21 00
M 48 x 2*	PN 400	65		64	24	40	V	500	69.2		1 1 89 32 21 00

* Threaded hole
according to DIN 3852. type X,
d4 = wide

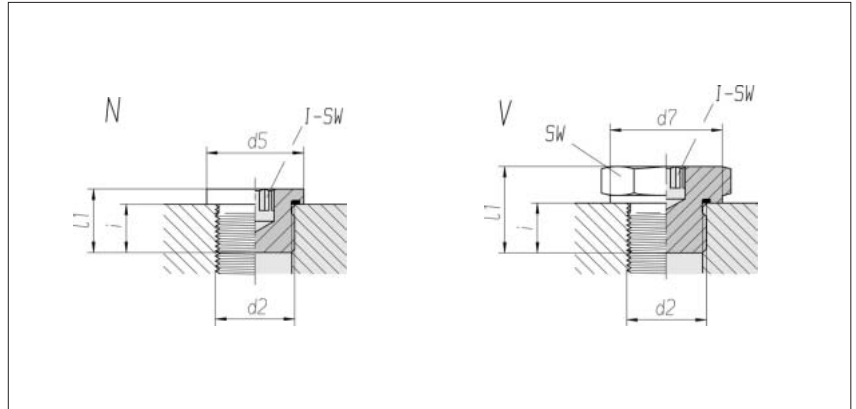
** Sample product code, see:
VSTI8X1ED

Blanking screws

For threaded holes according to DIN 3852 / ISO 1179

Thread: Whitworth pipe thread, straight

Sealed with PEFLEX seal



d2	Pressure	SW	d5	d7	I-SW	l1	i	Type	Nm -10 %	kg/100 approx.	Order No.
G 1/8 A	PN 400		14.0		5	12.3	8	N	12	0.7	0 1 89 33 21 00**
G 1/4 A	PN 400		18.9		6	17.3	12	N	25	1.8	0 1 89 34 21 00
G 3/8 A	PN 400		22.0		8	17.3	12	N	50	2.7	0 1 89 35 21 00
G 1/2 A	PN 400		26.9		10	19.3	14	N	70	4.4	0 1 89 36 21 00
G 3/4 A	PN 400		32.0		12	21.3	16	N	120	7.5	0 1 89 37 21 00
G 1 A	PN 400		39.9		17	22.8	16	N	200	12.3	0 1 89 38 21 00
G 1 A*	PN 400	46		46	17	33	18	V	250	27.2	1 1 89 38 21 00
G 1 1/4 A	PN 315		49.9		22	22.8	16	N	320	19.4	0 1 89 39 21 00
G 1 1/4 A*	PN 400	60		57	22	38	20	V	400	54.3	1 1 89 39 21 00
G 1 1/2 A	PN 315		55.0		24	22.8	16	N	400	25.2	0 1 89 40 21 00
G 1 1/2 A*	PN 400	65		64	24	40	22	V	500	69.3	1 1 89 40 21 00

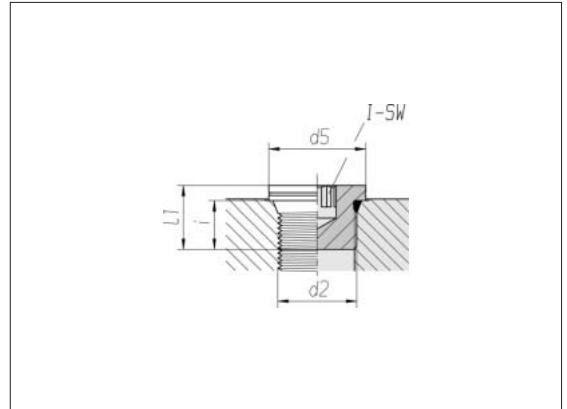
* Threaded hole according to DIN 3852. type X, d4 = wide

** Sample product code, see: VST11/8ED

Blanking screws

Thread:
metric fine thread,
ISO 6149
straight

Sealed with O-ring



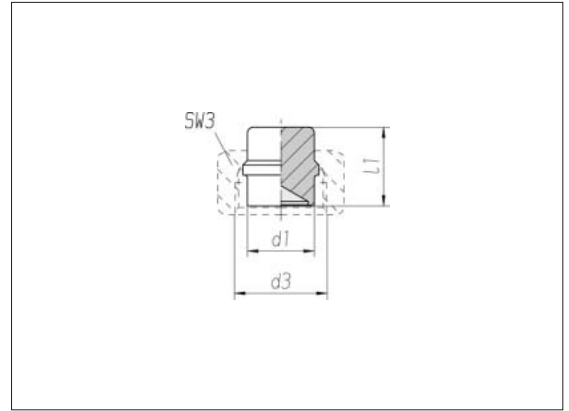
d2	Pressure	d5	I-SW	l1	i	Nm -10 %	kg/100 approx.	Order No.
M 10 x 1	PN 630	14	5	13	9.5	20	0.7	0 1 90 01 21 00*
M 12 x 1.5	PN 630	17	6	15	11	35	1.2	0 1 90 02 21 00
M 14 x 1.5	PN 630	19	6	15	11	45	1.7	0 1 90 03 21 00
M 16 x 1.5	PN 630	22	8	16.5	12.5	55	2.2	0 1 90 04 21 00
M 18 x 1.5	PN 630	24	8	18.5	14	70	3.5	0 1 90 05 21 00
M 22 x 1.5	PN 630	27	10	19.5	15	100	5.0	0 1 90 07 21 00
M 26 x 1.5	PN 400	31	12	21	16	150	7.5	0 1 90 10 21 00
M 27 x 2	PN 400	32	12	23	18.5	170	8.7	0 1 90 11 21 00
M 33 x 2	PN 400	40	17	24	18.5	310	13.5	0 1 90 12 21 00
M 42 x 2	PN 400	50	17	24.5	19	330	24.0	0 1 90 13 21 00
M 48 x 2	PN 400	55	17	27	21.5	420	35.3	0 1 90 14 21 00

* Sample product code, see:
VST110X10R

Blanking plugs

With seal edge
fitting bore type
W DIN 3861 / ISO 8434-1

For blind connections of
tube couplings



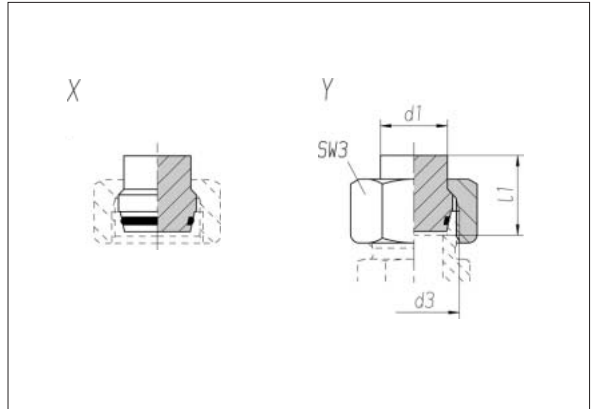
Series Tube OD d1	Pressure	d3	SW3	l1 approx.	kg/100 approx.	Order No.
L 6	PN 315	M 12 x 1.5	14	19.5	0.5	0 7 93 65 20 00*
L 8	PN 315	M 14 x 1.5	17	19.5	0.8	0 7 93 66 20 00
L 10	PN 315	M 16 x 1.5	19	21	1.3	0 7 93 67 20 00
L 12	PN 315	M 18 x 1.5	22	21.8	2.0	0 7 93 68 20 00
L 15	PN 315	M 22 x 1.5	27	22	3.0	0 7 93 69 20 00
L 18	PN 315	M 26 x 1.5	32	24	4.6	0 7 93 70 20 00
L 22	PN 160	M 30 x 2	36	26	7.4	0 7 93 71 20 00
L 28	PN 160	M 36 x 2	41	26.5	11.5	0 7 93 72 20 00
L 35	PN 160	M 45 x 2	50	32	22.1	0 7 93 73 20 00
L 42	PN 160	M 52 x 2	60	32.5	31.5	0 7 93 74 20 00
S 6	PN 630	M 14 x 1.5	17	19.5	0.5	0 7 93 65 20 00
S 8	PN 630	M 16 x 1.5	19	19.5	0.8	0 7 93 66 20 00
S 10	PN 630	M 18 x 1.5	22	21	1.3	0 7 93 67 20 00
S 12	PN 630	M 20 x 1.5	24	21.8	2.0	0 7 93 68 20 00
S 14	PN 630	M 22 x 1.5	27	23.5	2.9	0 7 93 79 20 00
S 16	PN 400	M 24 x 1.5	30	25.5	4.0	0 7 93 80 20 00
S 20	PN 400	M 30 x 2	36	30.5	7.4	0 7 93 81 20 00
S 25	PN 400	M 36 x 2	46	32.5	11.8	0 7 93 82 20 00
S 30	PN 400	M 42 x 2	50	35.5	18.3	0 7 93 83 20 00
S 38	PN 315	M 52 x 2	60	40	33.1	0 7 93 84 20 00

* Sample product code, see:
BUZ06LX

Blanking plugs

With taper and O-ring
fit in bore type
W DIN 3861 / ISO 8434-1

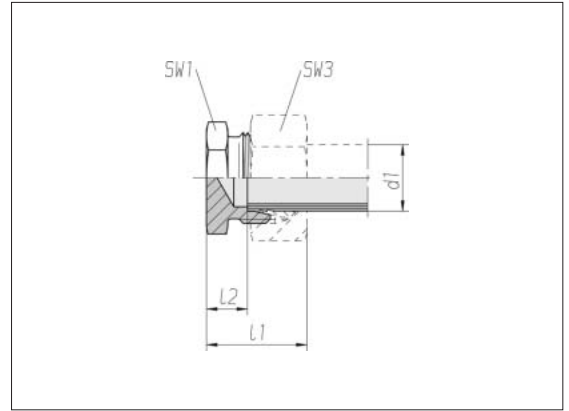
For blind connections of
tube couplings



Series Tube OD d1	Pressure	d3	SW3	l1	kg/100 approx.	Order No. X	kg/100 approx. Y	Order No. Y
L 6	PN 500	M 12 x 1.5	14	19	2.4	1 7 93 14 20 58*	1.6	1 1 93 04 20 58*
L 8	PN 500	M 14 x 1.5	17	19	3.0	1 7 93 15 20 58	2.5	1 1 93 05 20 58
L 10	PN 500	M 16 x 1.5	19	20.5	4.7	1 7 93 16 20 58	3.4	1 1 93 06 20 58
L 12	PN 400	M 18 x 1.5	22	21	5.9	1 7 93 17 20 58	4.8	1 1 93 07 20 58
L 15	PN 400	M 22 x 1.5	27	21	7.5	1 7 93 08 20 58	7.5	1 1 93 08 20 58
L 18	PN 400	M 26 x 1.5	32	23.5	11.4	1 7 93 09 20 58	11.4	1 1 93 09 20 58
L 22	PN 250	M 30 x 2	36	26	16.3	1 7 93 10 20 58	16.3	1 1 93 10 20 58
L 28	PN 250	M 36 x 2	41	26.5	22.3	1 7 93 11 20 58	22.3	1 1 93 11 20 58
L 35	PN 250	M 45 x 2	50	32	37.4	1 7 93 12 20 58	37.4	1 1 93 12 20 58
L 42	PN 250	M 52 x 2	60	32.5	55.9	1 7 93 13 20 58	55.9	1 1 93 13 20 58
S 6	PN 800	M 14 x 1.5	17	19	2.4	1 7 93 14 20 58	2.4	1 1 93 14 20 58
S 8	PN 800	M 16 x 1.5	19	19	3.0	1 7 93 15 20 58	3.0	1 1 93 15 20 58
S 10	PN 800	M 18 x 1.5	22	21	4.7	1 7 93 16 20 58	4.7	1 1 93 16 20 58
S 12	PN 630	M 20 x 1.5	24	21.5	5.9	1 7 93 17 20 58	5.9	1 1 93 17 20 58
S 14	PN 630	M 22 x 1.5	27	24	8.5	1 7 93 18 20 58	8.5	1 1 93 18 20 58
S 16	PN 630	M 24 x 1.5	30	25	10.7	1 7 93 19 20 58	10.7	1 1 93 19 20 58
S 20	PN 420	M 30 x 2	36	30.5	18.3	1 7 93 20 20 58	18.3	1 1 93 20 20 58
S 25	PN 420	M 36 x 2	46	32.5	33.0	1 7 93 21 20 58	33.0	1 1 93 21 20 58
S 30	PN 420	M 42 x 2	50	35.5	39.2	1 7 93 22 20 58	39.2	1 1 93 22 20 58
S 38	PN 420	M 52 x 2	60	40.5	62.8	1 7 93 23 20 58	62.8	1 1 93 23 20 58

* Sample product code, see:
VKA06VIT
VKAM06LVIT

Tube blanking screws



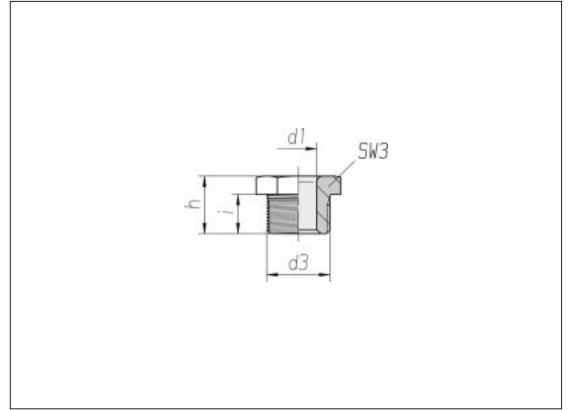
Series Tube OD d1	Pressure	SW1	SW3	l1 approx.	l2	kg/100 approx.	Order No. **
L 6	PN 315	12	14	22	7.0	0.8	0 7 93 34 20 00*
L 8	PN 315	14	17	23	8.0	1.2	0 7 93 35 20 00
L 10	PN 315	17	19	24	9.0	1.6	0 7 93 36 20 00
L 12	PN 315	19	22	25	10.0	2.2	0 7 93 37 20 00
L 15	PN 315	24	27	26	11.0	3.8	0 7 93 38 20 00
L 18	PN 315	27	32	28	11.5	5.4	0 7 93 39 20 00
L 22	PN 160	32	36	30	13.5	7.7	0 7 93 40 20 00
L 28	PN 160	41	41	31	14.5	13.3	0 7 93 41 20 00
L 35	PN 160	46	50	36	14.5	20.1	0 7 93 42 20 00
L 42	PN 160	55	60	39	16.0	34.0	0 7 93 43 20 00
S 6	PN 630	14	17	26	11.0	1.6	0 7 93 44 20 00
S 8	PN 630	17	19	28	13.0	2.6	0 7 93 45 20 00
S 10	PN 630	19	22	29	12.5	3.1	0 7 93 46 20 00
S 12	PN 630	22	24	31	14.5	4.5	0 7 93 47 20 00
S 14	PN 630	24	27	34	16.0	5.9	0 7 93 48 20 00
S 16	PN 400	27	30	34	15.5	6.8	0 7 93 49 20 00
S 20	PN 400	32	36	39	17.5	12.0	0 7 93 50 20 00
S 25	PN 400	41	46	44	20.0	21.3	0 7 93 51 20 00
S 30	PN 400	46	50	47	20.5	28.1	0 7 93 52 20 00
S 38	PN 315	55	60	54	23.0	49.8	0 7 93 53 20 00

* Sample product code, see:
ROV06LX

** without union nut and cutting ring

Male tube fittings

Thread:
metric fine thread,
straight



Series Tube OD d1	Pressure	d3	SW3	i	h	kg/100 approx.	Order No.
LL 4	PN 100	M 8 x 1	8	8	12	0.3	0 0 01 00 20 00*
LL 6	PN 100	M 10 x 1	10	9	13	0.4	0 0 01 10 20 00
LL 8	PN 100	M 12 x 1	12	9.5	14	0.6	0 0 01 15 20 00
L 6	PN 250	M 12 x 1.5	12	11.5	16	0.9	0 0 02 00 20 00**
L 8	PN 250	M 14 x 1.5	14	11.5	16	1.1	0 0 02 05 20 00
L 10	PN 250	M 16 x 1.5	17	11.5	17	1.5	0 0 02 10 20 00
L 12	PN 250	M 18 x 1.5	19	12	18	1.9	0 0 02 15 20 00

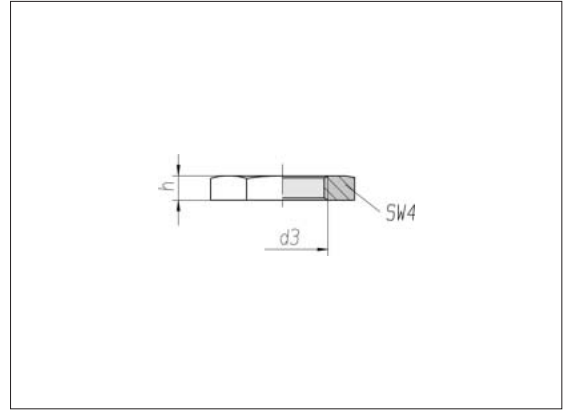
Connection dimensions in body
see DIN 2353

* Sample product code, see:
S04LLX
DIN 3871-ALL4

** S06LX
DIN 3871-AL6

Hexagon nuts

For bulkhead couplings



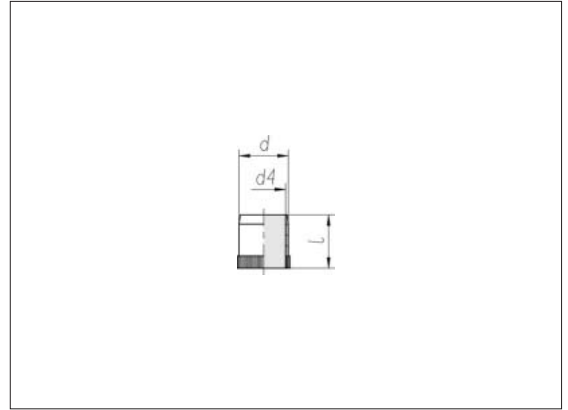
3

d3	SW4	h	kg/100 approx.	Order No.
M 12 x 1.5	17	6	0.7	0 0 81 00 21 00*
M 14 x 1.5	19	6	0.8	0 0 81 02 21 00
M 16 x 1.5	22	6	1.0	0 0 81 04 21 00
M 18 x 1.5	24	6	1.2	0 0 81 06 21 00
M 20 x 1.5	27	6	1.5	0 0 81 08 21 00
M 22 x 1.5	30	7	2.2	0 0 81 10 21 00
M 24 x 1.5	32	7	2.4	0 0 81 12 21 00
M 26 x 1.5	36	8	3.8	0 0 81 14 21 00
M 30 x 2	41	8	4.9	0 0 81 16 21 00
M 36 x 2	46	9	5.9	0 0 81 18 21 00
M 42 x 2	50	9	5.8	0 0 81 20 21 00
M 45 x 2	55	9	7.5	0 0 81 22 21 00
M 52 x 2	65	10	12.1	0 0 81 26 21 00

* Sample product code, see:
GM06LX
ISO 8434-1-LN-L6-St

Reinforcing sleeves

For thin-walled or soft tubes; not for plastic tubes
Material: brass

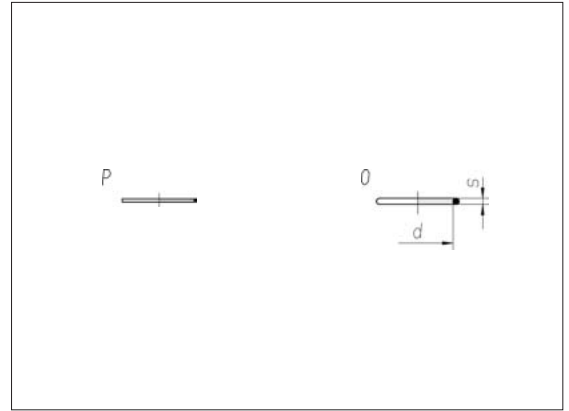


For tube OD x wall thickness	d	d4	l	kg/100 approx.	Order No.
6 x 1	4	2.6	15.5	0.09	0 0 20 00 50 00*
6 x 0.75	4.5	3.1	12.5	0.08	0 0 20 02 50 00
6 x 0.5	5	3.6	12.5	0.10	0 0 20 04 50 00
8 x 1	6	4.6	15.5	0.15	0 0 20 08 50 00
8 x 0.75	6.5	5.1	12.5	0.13	0 0 20 12 50 00
10 x 1.5	7	5.6	17	0.20	0 0 20 14 50 00
10 x 1	8	6.6	16.5	0.22	0 0 20 16 50 00
10 x 0.75	8.5	7.1	16.5	0.24	0 0 20 18 50 00
12 x 1.5	9	7.6	16.5	0.26	0 0 20 24 50 00
12 x 1	10	8.6	16.5	0.29	0 0 20 28 50 00
12 x 0.75	10.5	9.3	16.5	0.26	0 0 20 30 50 00
14 x 1	12	10.2	18	0.50	0 0 20 32 50 00
15 x 1.5	12	10.2	17	0.46	0 0 20 34 50 00
15 x 1	13	11.2	17	0.50	0 0 20 36 50 00
18 x 1.5	15	13.2	17.5	0.59	0 0 20 38 50 00
18 x 1	16	14.2	17.5	0.61	0 0 20 40 50 00
20 x 1	18	16.2	22	0.88	0 0 20 42 50 00
22 x 1.5	19	17.2	18	0.75	0 0 20 44 50 00
22 x 1	20	18.2	18	0.80	0 0 20 46 50 00
25 x 1.5	22	20.2	23.5	1.10	0 0 20 48 50 00
25 x 1	23	21.2	23.5	1.20	0 0 20 50 50 00
28 x 2	24	22.2	18	1.40	0 0 20 52 50 00
28 x 1.5	25	23.2	18	0.90	0 0 20 54 50 00
28 x 1	26	24.2	18	1.00	0 0 20 56 50 00
35 x 2	31	28.8	22.5	1.87	0 0 20 58 50 00
35 x 1.5	32	29.8	22.5	1.90	0 0 20 60 50 00
35 x 1	33	30.8	22.5	2.10	0 0 20 62 50 00
42 x 2	38	35.8	23.5	2.40	0 0 20 64 50 00
42 x 1.5	39	36.8	23.5	2.50	0 0 20 66 50 00

* Sample product code, see:
VH04MSX

Sealing rings for ES-4 cutting rings

- P Moulded seal for the outer cone
- O O-ring for the inner section



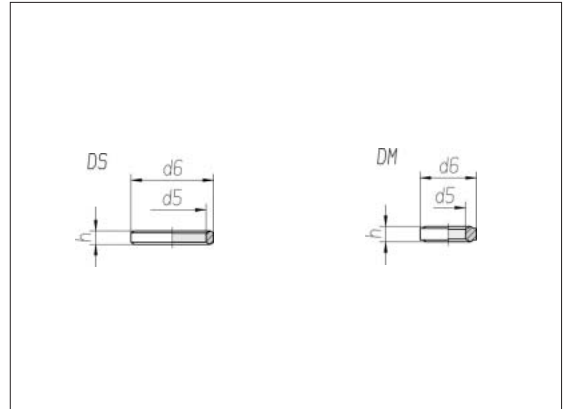
3

Series Tube OD	d	s	Order No. P	Order No. O
L 6	6	1	0 9 12 00 97 83	0 9 07 32 97 83
L 8	8	1	0 9 12 01 97 83	0 9 07 60 97 83
L 10	10	1	0 9 12 02 97 83	0 9 08 90 97 83
L 12	12	1	0 9 12 03 97 83	0 9 08 91 97 83
L 15	15	1	0 9 12 05 97 83	0 9 08 88 97 83
L 18	18	1	0 9 12 07 97 83	0 9 08 98 97 83
L 22	22	1	0 9 12 09 97 83	0 9 08 99 97 83
L 28	28	1	0 9 12 11 97 83	0 9 08 87 97 83
L 35	35	1	0 9 12 13 97 83	0 9 08 86 97 83
L 42	42	1	0 9 12 15 97 83	0 9 08 85 97 83
S 6	6	1	0 9 12 00 97 83	0 9 07 32 97 83
S 8	8	1	0 9 12 01 97 83	0 9 07 60 97 83
S 10	10	1	0 9 12 02 97 83	0 9 08 90 97 83
S 12	12	1	0 9 12 03 97 83	0 9 08 91 97 83
S 14	14	1	0 9 12 04 97 83	0 9 08 92 97 83
S 16	16	1	0 9 12 06 97 83	0 9 08 93 97 83
S 20	20	1	0 9 12 08 97 83	0 9 08 94 97 83
S 25	25	1	0 9 12 10 97 83	0 9 08 95 97 83
S 30	30	1	0 9 12 12 97 83	0 9 08 96 97 83
S 38	38	1	0 9 12 14 97 83	0 9 08 97 97 83

Sealing rings

DS Seal-edge ring for
banjo couplings with
male thread

DM Seal-edge ring for
gauge couplings with
female thread

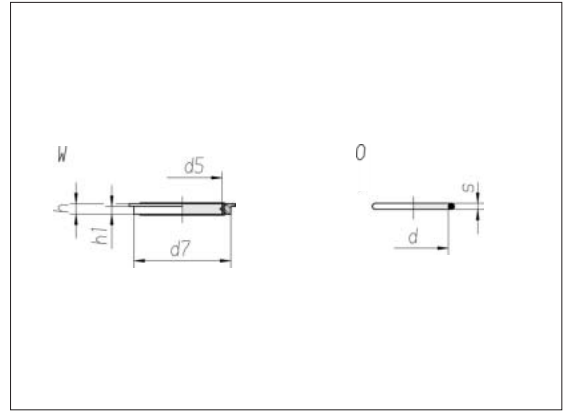


d2	d5	d6	h	kg/100 approx.	Type	Order No. DS/DM
M 8 x 1	8.1	12	2.5	0.10	DS	0 0 80 69 21 00
M 10 x 1	10.1	14	2.5	0.12	DS	0 0 80 70 21 00*
M 12 x 1.5	12.1	17	3	0.22	DS	0 0 80 71 21 00
M 14 x 1.5	14.1	19	3	0.25	DS	0 0 80 72 21 00
M 16 x 1.5	16.1	21	3	0.28	DS	0 0 80 73 21 00
M 18 x 1.5	18.1	23	3	0.30	DS	0 0 80 74 21 00
M 20 x 1.5	20.1	25	3	0.32	DS	0 0 80 75 21 00
M 22 x 1.5	22.1	27	4.5	0.59	DS	0 0 80 14 21 00
M 26 x 1.5	26.15	31	3.5	0.47	DS	0 0 80 77 21 00
M 27 x 2	27.15	32	3.5	0.48	DS	0 0 80 78 21 00
M 33 x 2	33.15	39	3.5	0.71	DS	0 0 80 79 21 00
M 42 x 2	42.15	49	3.5	1.02	DS	0 0 80 80 21 00
M 48 x 2	48.15	55	3.5	1.16	DS	0 0 80 81 21 00
G 1/8 A	9.8	14	2.5	0.12	DS	0 0 80 82 21 00
G 1/4 A	13.3	18	3	0.21	DS	0 0 80 83 21 00
G 3/8 A	16.8	22	3	0.31	DS	0 0 80 84 21 00
G 1/2 A	21.1	26	4.5	0.53	DS	0 0 80 85 21 00
G 3/4 A	26.6	32	3.5	0.55	DS	0 0 80 86 21 00
G 1 A	33.4	39	3.5	0.71	DS	0 0 80 87 21 00
G 1 1/4 A	42.1	49	3.5	1.05	DS	0 0 80 88 21 00
G 1 1/2 A	48.0	55	3.5	1.16	DS	0 0 80 89 21 00
G 1/4 A	5.8	11.2	4.6	0.22	DM	0 0 80 56 21 00
G 1/2 A	11.0	18.3	5.2	0.57	DM	0 0 80 58 21 00

* Sample product code, see:
DKA10X

Sealing rings

- W Soft seal ring for eccentric banjo couplings with male thread
- O O-ring for hollow screws on eccentric banjo couplings



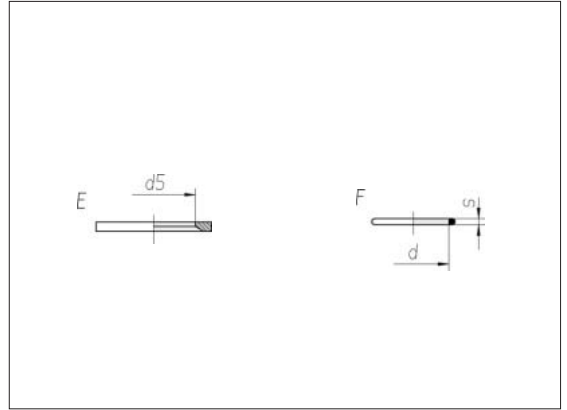
d2	d5	d7	h	h1	O-ring d x s	kg/100 approx.	Order No. W	Order No. O
M 10 x 1	10.3	14.9	2.5	1.1	8 x 1.5	0.16	0 0 90 50 99 00*	0 9 00 04 99 90
M 12 x 1.5	12.3	17.0	3	1.6	10.5 x 1.5	0.21	0 0 90 51 99 00	0 9 07 52 99 90
M 14 x 1.5	14.3	18.9	3	1.6	12.5 x 1.5	0.24	0 0 90 52 99 00	0 9 07 64 99 90
M 16 x 1.5	17.0	21.9	3	2.1	14 x 1.5	0.31	0 0 90 53 99 00	0 9 06 02 99 90
M 18 x 1.5	18.3	23.9	3	-	16 x 1.5	0.35	0 0 90 54 99 00	0 9 06 62 99 90
M 22 x 1.5	22.3	26.9	4.5	2.6	20 x 1.5	0.66	0 0 90 56 99 00	0 9 07 65 99 90
M 26 x 1.5	26.3	31.9	3.5	2.6	23 x 2	0.65	0 0 90 57 99 00	0 9 00 90 99 90
M 27 x 2	27.3	32.9	3.5	2.6	24 x 2	0.72	0 0 90 58 99 00	0 9 07 53 99 90
M 33 x 2	33.6	39.9	3.5	2.6	29 x 2.5	0.86	0 0 90 59 99 00	0 9 06 63 99 90
M 42 x 2	42.4	49.9	3.5	-	38 x 2.5	1.19	0 0 90 60 99 00	0 9 00 94 99 90
M 48 x 2	48.4	55.9	3.5	2.6	43 x 3	1.59	0 0 90 61 99 00	0 9 00 78 99 90
G 1/8 A	10.3	14.9	2.5	1.1	8 x 1.5	0.16	0 0 90 50 99 00	0 9 00 04 99 90
G 1/4 A	14.3	18.9	3	1.6	12.5 x 1.5	0.24	0 0 90 52 99 00	0 9 07 64 99 90
G 3/8 A	17	21.9	3	2.1	15 x 1.5	0.31	0 0 90 53 99 00	0 9 00 88 99 90
G 1/2 A	22.3	26.9	4.5	2.6	19 x 1.5	0.66	0 0 90 56 99 00	0 9 00 89 99 90
G 3/4 A	27.3	32.9	3.5	2.6	24 x 2	0.72	0 0 90 58 99 00	0 9 07 53 99 90
G 1 A	33.6	39.9	3.5	2.6	29 x 2.5	0.86	0 0 90 59 99 00	0 9 06 63 99 90
G 1 1/4 A	42.4	49.9	3.5	-	38 x 2.5	1.19	0 0 90 60 99 00	0 9 00 94 99 90
G 1 1/2 A	48.4	55.9	3.5	2.6	43 x 3	1.59	0 0 90 61 99 00	0 9 00 78 99 90

Sealing rings

For threaded studs

E DIN 3852-T 11
ISO 1179-2
ISO 9974-2

F ISO 6149-2 / -3
ISO 11926-2 / -3



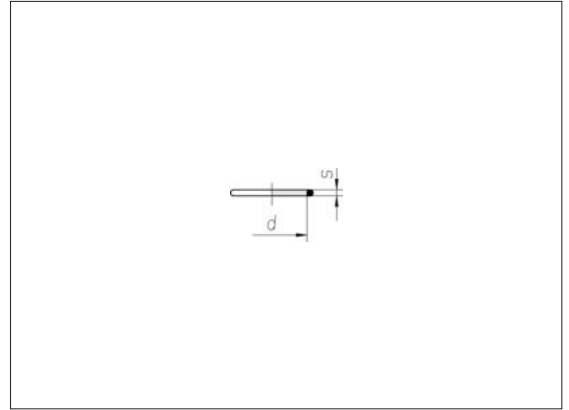
Thread d2	PEFLEX d5	Order No.* E	O-ring d x s	Order No.* F
M 10 x 1	8.4	0 9 05 22 99 00**	8.1 x 1.6	0 9 08 28 99 90
M 12 x 1.5	9.8	0 9 05 01 99 00	9.3 x 2.2	0 9 08 29 99 90
M 14 x 1.5	11.6	0 9 05 02 99 00	11.3 x 2.2	0 9 08 30 99 90
M 16 x 1.5	13.8	0 9 05 03 99 00	13.3 x 2.2	0 9 08 31 99 90
M 18 x 1.5	15.7	0 9 05 05 99 00	15.3 x 2.2	0 9 08 32 99 90
M 20 x 1.5	17.8	0 9 05 06 99 00		
M 22 x 1.5	19.6	0 9 05 08 99 00	19.3 x 2.2	0 9 08 33 99 90
M 26 x 1.5	23.9	0 9 05 10 99 00		
M 27 x 2	23.9	0 9 05 10 99 00	23.6 x 2.9	0 9 08 34 99 90
M 33 x 2	29.7	0 9 05 11 99 00	29.6 x 2.9	0 9 08 35 99 90
M 42 x 2	38.8	0 9 05 12 99 00	38.6 x 2.9	0 9 08 36 99 90
M 48 x 2	44.7	0 9 05 13 99 00	44.6 x 2.9	0 9 08 37 99 90
G 1/8 A	8.4	0 9 05 22 99 00		
G 1/4 A	11.6	0 9 05 02 99 00		
G 3/8 A	14.7	0 9 05 04 99 00		
G 1/2 A	18.5	0 9 05 07 99 00		
G 3/4 A	23.9	0 9 05 10 99 00		
G 1 A	29.7	0 9 05 11 99 00		
G 1 1/4 A	38.8	0 9 05 12 99 00		
G 1 1/2 A	44.7	0 9 05 13 99 00		
7/16-20 UNF-2A			8.92 x 1.83	0 9 00 24 99 00
9/16-18 UNF-2A			11.89 x 1.98	0 9 00 26 99 00
3/ 4-16 UNF-2A			16.36 x 2.21	0 9 00 27 99 00
7/ 8-14 UNF-2A			19.18 x 2.46	0 9 00 28 99 00
1 1/16-12 UN -2A			23.47 x 2.95	0 9 00 29 99 00
1 5/16-12 UN -2A			29.47 x 2.95	0 9 00 31 99 00
1 5/ 8-12 UN -2A			37.47 x 3	0 9 00 32 99 00

* Material: NBR
other materials on request

** Sample product code, see:
ED10X1X

Sealing rings (O-rings)

For taper couplings (DKO)
and flared cones

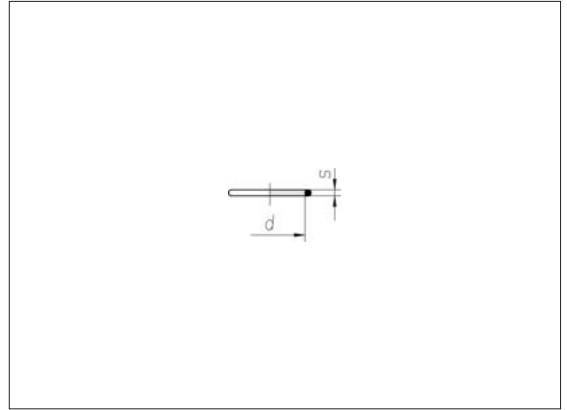


Series Tube OD	d x s	Order No.*
L + S 6	4 x 1.5	0 9 00 00 97 00
L + S 8	6 x 1.5	0 9 00 02 97 00
L + S 10	7.5 x 1.5	0 9 00 41 97 00
L + S 12	9 x 1.5	0 9 00 42 97 00
L 15	12 x 2	0 9 00 44 97 00
L 18	15 x 2	0 9 00 38 97 00
L 22	20 x 2	0 9 06 19 97 00
L 28	26 x 2	0 9 06 58 97 00
L 35	32 x 2.5	0 9 00 92 97 00
L 42	38 x 2.5	0 9 00 94 97 00
S 14	10 x 2	0 9 00 43 97 00
S 16	12 x 2	0 9 00 44 97 00
S 20	16.3 x 2.4	0 9 00 45 97 00
S 25	20.3 x 2.4	0 9 00 46 97 00
S 30	25.3 x 2.4	0 9 00 47 97 00
S 38	33.3 x 2.4	0 9 00 48 97 00

* Material: FPM/FKM
other materials on request

Sealing rings (O-rings)

For flange couplings



Series Tube OD	Flange size	D**	d x s	Order No.*
L 10		35	20 x 2.5	0 9 06 59 99 00
L 12		35	20 x 2.5	0 9 06 59 99 00
L 15		35	20 x 2.5	0 9 06 59 99 00
L 15		40	26 x 2.5	0 9 00 18 99 00
L 18		40	26 x 2.5	0 9 00 18 99 00
L 18	3/4"		25 x 3.53	0 9 06 71 99 90
L 22		40	26 x 2.5	0 9 00 18 99 00
L 22	3/4"		25 x 3.53	0 9 06 71 99 90
L 28		40	26 x 2.5	0 9 00 18 99 00
L 28		55	32 x 2.5	0 9 00 92 99 00
L 28	1"		32.92 x 3.53	0 9 06 72 99 90
L 35		55	32 x 2.5	0 9 00 92 99 00
L 35	1 1/4"		37.7 x 3.53	0 9 06 73 99 90
L 42	1 1/2"		47.22 x 3.53	0 9 06 54 99 90

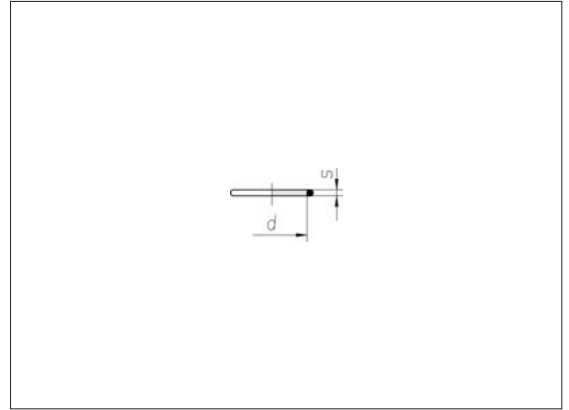
Continuation on page 207

* Material: NBR
other materials on request

** Hole circle diameter

Sealing rings (O-rings)

For flange couplings



3

Series Tube OD	Flange size	D**	d x s	Order No.*
S 12		35	20 x 2.5	0 9 06 59 99 00
S 16	1/2"		18.64 x 3.53	0 9 06 74 99 90
S 16		35	20 x 2.5	0 9 06 59 99 00
S 16	3/4"		25 x 3.53	0 9 06 71 99 90
S 20		35	20 x 2.5	0 9 06 59 99 00
S 20		40	26 x 2.5	0 9 00 18 99 00
S 20		55	32 x 2.5	0 9 00 92 99 00
S 20	3/4"		25 x 3.53	0 9 06 71 99 90
S 25		55	32 x 2.5	0 9 00 92 99 00
S 25	3/4"		25 x 3.53	0 9 06 71 99 90
S 25	1 1/4"		37.7 x 3.53	0 9 06 73 99 90
S 30		55	32 x 2.5	0 9 00 92 99 00
S 30	1"		32.92 x 3.53	0 9 06 72 99 90
S 30	1 1/4"		37.7 x 3.53	0 9 06 73 99 90
S 38	1 1/4"		37.7 x 3.53	0 9 06 73 99 90
S 38	1 1/2"		47.22 x 3.53	0 9 06 54 99 90

* Material: NBR
other materials on request

** Hole circle diameter

